

# Application of MARKAL model to optimisation of electricity generation structure in Poland in the long-term time horizon. Part II. Model and forecasts assumptions

## Author

Marcin Jaskólski

## Keywords

MARKAL, energy planning, energy forecasting

## Abstract

In this paper, the next in a series of publications on the subject, assumptions are presented of a power system development model in terms of electricity generation technology infrastructure in Poland, in the long term perspective until 2060. The model is based on the mathematical structure of the MARKAL optimization package. Among other things developed are a forecast of the final demand for electricity and heat, the current mix of power and electricity generation in Poland, and a forecast of decommissioning in the power and co-generation plants. The study also contains a summary of technical and economic indicators of the generation technologies considered in the model.

The author shall not be responsible for any outcome of use of the research results presented herein.

## 1. Introduction

This paper is the next in a series of publications on the modelling of the electricity generation mix development in Poland in the long-term perspective until 2060. It sets out the main assumptions of the MARKAL energy model for Poland (MARKAL-PL).

Chapter 2 presents forecasts of the final demand for electricity and heat. Two variants, A and B, of the electricity demand forecast are developed. Chapter 3 contains a forecast of the mix of capacity installed in the existing power plant units. The existing power units' decommissioning is not subject to optimization, because the variable corresponding to the power increment of a given technology can not be negative. Capacity withdrawal can be modelled by using a model parameter, which defines how much of the capacity installed in a technology group of the plants existing before the first year of the model analysis is retained in the national power system (NPS) in subsequent years. In the case of investments in new units that were not installed prior to the first year of the analysis, the capacity is withdrawn after a technical lifetime period specific to the unit's technology. Chapter 4 presents a forecast of fuel and energy prices. Chapter 5 contains assumptions regarding the mandatory share of electricity from renewable sources and high efficiency cogeneration. In addition, a forecast is developed of changes in the correction factors for certificates of energy origin from various renewable sources, and a forecast of the replacement fee rates for each type of certificate – from RES and cogeneration. Forecasts of the environmental fee rates and CO<sub>2</sub>, SO<sub>x</sub> and NO<sub>x</sub> allowance prices

are presented in chapter 6. Chapter 7 contains a summary of technical and economic indicators of the energy technologies selected for the analysis.

## 2. Forecasts of the final demand for electricity and heat

Determination of the current and future final demand for energy is one of the most important assumptions made in the balancing model of a power system built using the MARKAL package. In the model for Poland the final consumption of electricity and heat is specified, and the demand for these energy types is forecasted. Two variants, A and B, of the electricity demand forecast are developed on the basis of the balance of electricity in the national economy in the years 1985–2010, in five-year intervals [4] and on the basis of population and GDP data [10, 12, 13]. It is based on changes in the rates of electricity consumption per unit of GDP and per unit of population, taking into account the GDP's reduced electricity intensity and increased per capita consumption rates. Issues of long-term energy demand forecasting have been addressed in the study [36].

Both forecast variants are compared with the updated forecast of demand for fuel and energy made for the purpose of "Polish Energy Policy until 2030" [35] and with the forecast from Report 2050 for the PKEE Polish Electricity Association, published as an executive summary [37]. The forecast results are shown in fig. 2.1.

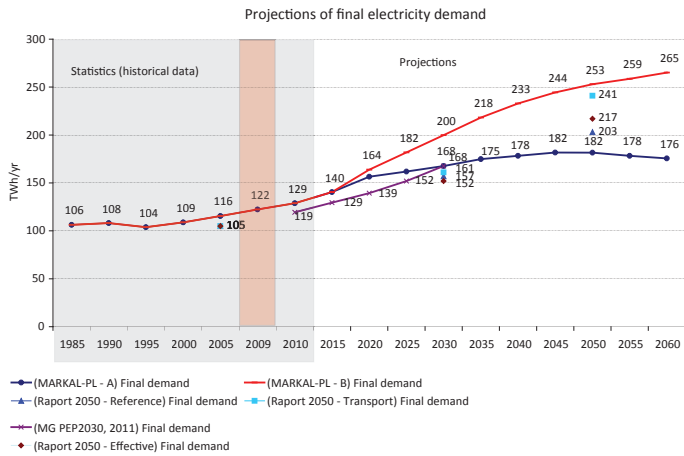


Fig. 2.1. Forecasts of the demand for electricity in Poland by 2060, own study based on ARE SA [4] and GUS [10, 12, 13] data, and on data drawn from [35] and [37]

Data on the current final demand for low temperature heat is taken from the Polish heat sector statistics published by ARE SA Energy Market Agency [5]. The heat demand forecast is based on forecasts of residential (housing) development and changes in the GDP and its energy intensity (industry and services). Data published by GUS Central Statistical Office [10–17] are used for this purpose, as well as assumptions made in the study [9]. The forecast of heat demand in Poland by 2060 is shown in fig. 2.2. A single forecast of demand for heat is assumed, common for variants A and B. The heat demand forecast assumes that increases in demand will be offset through the implementation of technologies with higher heat use efficiencies. As a result, the demand for heat should not exceed 900 PJ/yr by 2025, and should fall thereafter to as little as 713 PJ/yr in 2060. Taking into account the demand for heat in a model that optimizes the electricity generation mix is important from the point of view of the use of cogeneration.

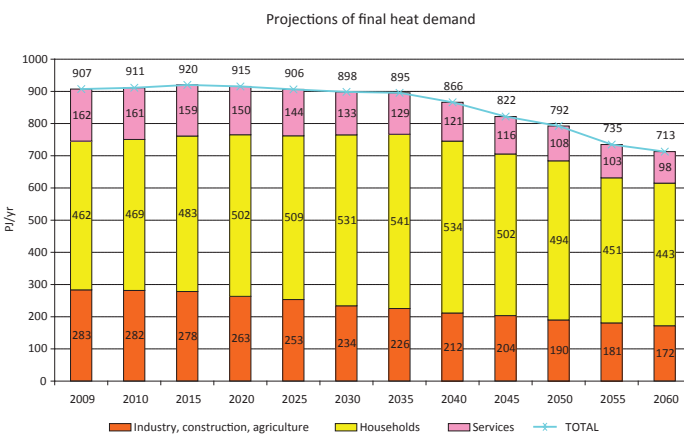


Fig. 2.2. Forecast of the final demand for heat in Poland by 2060, own study based on [9–17] data

### 3. Forecast of mix of capacity installed in existing generation units in the national power system

Energy balance in the initial year (2009) and collection of data on the generation mix existing prior to that year and its aging throughout the analysed time frame is important for a balancing model of development of the actually existing power system. For this purpose ARE SA [4] data was used on the output and available capacity of each commercial thermal power plant, as well as overall in industrial cogeneration plants, hydroelectric and pumped storage power plants, and renewable energy sources. In addition, the installed capacity and annual heat output of commercial heat plants and non-commercial heat plants were estimated, and in local and individual sources [9].

Based on information taken from "PSE-Operator SA Development Plan until 2025" [1], and on own assumptions based on the years of power equipment installations and upgrades, the years of each plant's decommissioning were determined. The required maximum available capacity taking into account the NPS reserves was determined based on the forecast of demand for electricity and its distribution over time. The forecast of the mix of capacity installed in the existing power units, and the forecast of the maximum available capacity taking into account the NPS reserve in 2010–2060 are presented in fig. 3.1. The years 2009 and 2010 contain statistical information, and are not covered by the forecast.

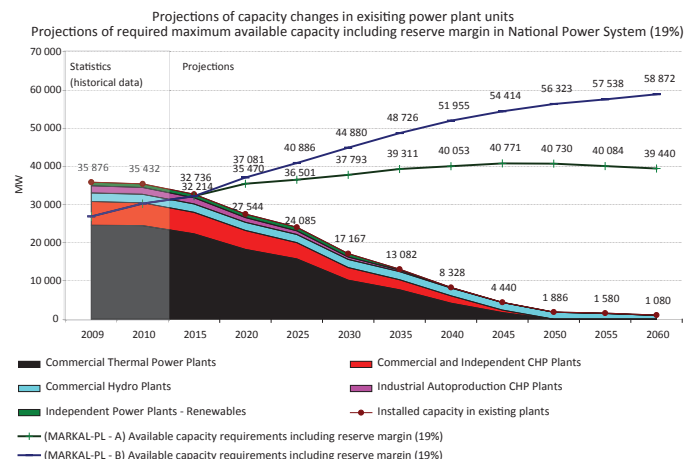


Fig. 3.1. Forecast of the mix of capacity installed in the existing power units until 2060, and forecast of the required maximum available capacity taking into account the NPS reserve (own study based on [1, 2, 4] data)

In the MARKAL-PL model the existing commercial and industrial thermal power plants are grouped according to the classification proposed in the ARE SA statistics [4]. In each group, the following data was collected: specific gross and net fuel consumption for energy production efficiency calculation, heat output in combination with electricity and in heating boilers, electricity output and installed capacity. In addition, on the basis of ARE SA details of total emissions for each power plant group, rates of emission per unit of energy output were derived.

#### 4. Forecasts of fuel and energy prices

In the MARKAL model fuel prices are related to the unit of energy stored in the fuel, i.e. they are expressed in Euro (2009) / GJ. Therefore, in addition to the price per unit of weight or volume, either the calorific value of the fuel, or the density of the energy stored there must be known. The energy price change rates were calculated based on, among other things, World Energy Outlook 2009 and 2010 [19]. The forecast fuel prices are expressed in constant prices, in monetary terms as of 2009. They are presented in tab. 4.1.

IMPELC1 – electricity import, IMPELC2 – electricity import, EXPELC1 – electricity export, MINHCO1 – hard coal mining, IMPHCO1 – hard coal import, MINLIG1 – lignite mining, MINNGA1 – natural gas domestic extraction, IMPNGA1 – natural gas import, MINOTH1 – other fuel supplies, RNWBIO1 – biomass supplies, RNWBG1 – biogas supplies, RNWBGG1 – biomass and biogas supplies, MINLQD1 – liquid fuel supplies, MINPAX1 – other fuel supplies, IMPURN1 – uranium import, RNWSMW1 – solid waste supplies

Constant prices EUR (2009)/GJ	2009	2010	2015	2020	2025	2030	2035	2040	2045	2050	2055	2060
IMPELC1	13.70	13.81	14.49	15.58	16.76	18.02	19.38	20.84	22.41	24.10	25.91	27.86
IMPELC2	16.43	16.58	17.39	18.70	20.11	21.62	23.25	25.00	26.89	28.91	31.09	33.44
EXPELC1	10.96	11.05	11.59	12.47	13.41	14.42	15.50	16.67	17.93	19.28	20.73	22.29
MINHCO1	4.40	4.41	4.52	4.63	4.75	4.86	4.98	5.11	5.23	5.36	5.49	5.63
IMPHCO1	4.64	4.65	4.76	4.88	5.00	5.12	5.25	5.38	5.51	5.64	5.78	5.93
MINLIG1	3.53	3.62	3.70	3.80	3.89	3.99	4.08	4.18	4.29	4.39	4.50	4.61
MINNGA1	8.35	8.35	8.76	9.43	10.14	10.90	11.72	12.60	13.55	14.57	15.67	16.85
IMPNGA1	11.67	11.67	12.24	13.16	14.15	15.22	16.37	17.60	18.93	20.35	21.89	23.54
MINOTH1	17.02	17.02	17.85	19.20	20.65	22.20	23.87	25.67	27.61	29.69	31.92	34.33
RNWBIO1	3.76	4.29	4.72	5.32	6.00	6.77	7.64	8.61	9.72	10.96	12.36	13.95
RNWBG1	2.73	4.15	4.56	5.15	5.81	6.55	7.39	8.34	9.40	10.61	11.97	13.50
RNWBGG1	3.76	4.29	4.72	5.32	6.00	6.77	7.64	8.61	9.72	10.96	12.36	13.95
MINLQD1	17.02	17.02	17.85	19.20	20.65	22.20	23.87	25.67	27.61	29.69	31.92	34.33
MINPAX1	7.40	7.69	7.52	7.57	8.08	8.46	8.85	9.23	9.62	10.00	10.38	10.77
IMPURN1	0.78	0.78	0.86	0.97	1.10	1.24	1.40	1.57	1.78	2.00	2.26	2.55
RNWSMW1	17.86	17.86	17.00	16.59	16.19	15.80	15.42	15.04	14.68	14.33	13.98	13.64

Tab. 4.1. Forecasts of energy type prices in the MARKAL model, own study on the basis of [19]

#### 5. Mechanisms to promote renewable energy sources and high-efficiency cogeneration

Legal regulations concerning mechanisms for the promotion of electricity from renewable energy sources and from high-efficiency cogeneration, have been included in the Energy Law [26] and in Regulations of the Minister of Economy [21, 22]. A document has been drafted to update the legislation – the Law on Renewable Energy Sources [32].

Modelling of the RES promotion mechanisms in the MARKAL programme was the subject of dissertation [6], and the research methodology was published in studies [7, 8]. However, these studies were drawn up before the cogeneration support system was implemented. The model assumed the existence of a single category of cogeneration energy certificates of origin (so-called red certificates), but as a result of the introduction of legal provisions in the Act, cogeneration has been divided into three categories, namely, [26]:

- 1) high efficiency gaseous fuels-fired cogeneration, or cogeneration from a source with total installed capacity below 1 MW (property rights – PMGM)
- 1a) high efficiency cogeneration – fired with methane released and captured at underground mining works in active, decommissioned or closed hard coal mines (PMMET), or with gas obtained from biomass processing within the meaning of Art. 2 Sect. 1 Point 2 of the Act on bio components and liquid bio fuels (PMBG)
- 2) other than those in points 1 or 1a (PMEC).

Therefore, these various certificates of origin of electricity from high-efficiency cogeneration are taken into account in the MARKAL model, as well as the property rights to them. According to the Rules of the Polish Power Exchange [30], the distribution of the property rights to certificates of origin is as follows:

- PMOZE – property rights to certificates of origin for electricity produced from renewable energy sources, the period of generation of which specified in the certificate of origin began before 1 March 2009
- PMOZE\_A – property rights to certificates of origin for electricity produced from renewable energy sources, the period of generation of which specified in the certificate of origin began from 1 March 2009
- PMGM – property rights to certificates of origin for electricity produced from cogeneration fired with gaseous fuels or with a total installed electrical capacity up to 1 MW
- PMMET – property rights to certificates of origin for electricity produced from cogeneration fired by methane released and captured at underground mining works in active, decommissioned or closed hard coal mines or with gas obtained from biomass processing (introduction of PMBG property rights for the latter is planned)
- PMEC – property rights to certificates of origin for electricity produced from remaining cogeneration units.

In fig. 5.1 a Reference Energy System was presented for mechanisms to promote renewable energy sources and high-efficiency cogeneration. The mandatory share of energy from renewable sources and cogeneration is expressed by the demand for commodity in the form of property rights, which have been vested with eligible sources. The balance of property rights is complemented with a replacement fee, which is shown in the model by the import option. The replacement fee is paid if a required quota, calculated on the basis of the percentage share, is not met within the required range.

#### Demand Categories (DeMand)

- NO – quota obligation, electricity from renewable sources
- NS – quota obligation, electricity from high efficiency cogeneration
- NY – quota obligation, high efficiency gas fired cogeneration, or P<1 MW
- NV – quota obligation, high efficiency cogeneration fired with gas released from mines

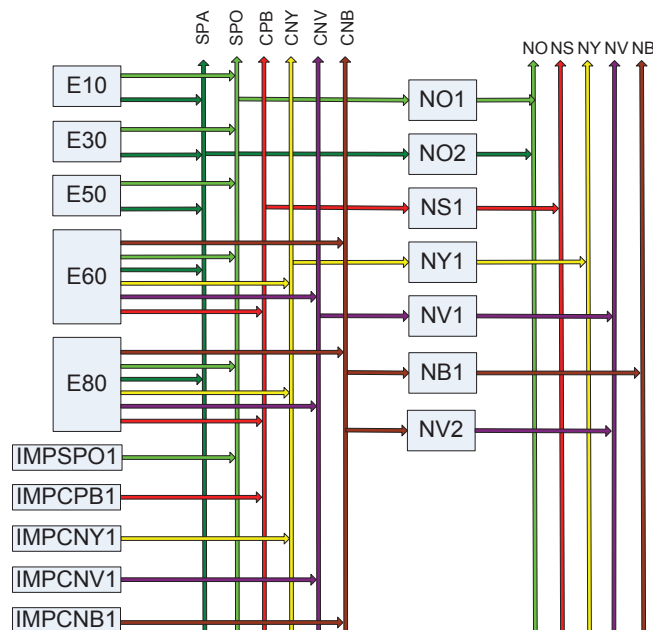


Fig. 5.1. Reference Energy System for mechanisms to promote renewable energy sources and high-efficiency cogeneration, own study

NB – quota obligation, high efficiency biomass gas fired cogeneration

#### ENT – energy types

- SPO – certificates of origin for RES energy (PMOZE)
- CPB – certificates of origin for high efficiency cogeneration energy (PMEC)
- SPA – certificate of origin for RES energy (PMOZE\_A)
- CNY – certificates of origin for natural gas fired or P<1 MW cogeneration (PMGM)
- CNV – certificates of origin for methane released from mines fired cogeneration (PMMET)
- CNB – certificates of origin for biomass gas fired cogeneration (PMBG)

#### CON – Conversion Technologies

- E10 – commercial thermal plants – hard coal (WK) and lignite (WB)
- E30 – independent plants – renewable energy sources (RES)
- E50 – commercial hydro and pumping-storage plants
- E60 – commercial and independent cogeneration plants
- E80 – industrial cogeneration plants

#### SRCENCP – Source Energy Type Price Level

- IMPSP01 – replacement fee, renewable energy sources
- IMPCPB1 – replacement fee, high efficiency cogeneration (PMEC)
- IMPCNY1 – replacement fee, high efficiency cogeneration (PMGM)
- IMPCNV1 – replacement fee, high efficiency cogeneration (PMMET)
- IMPCNB1 – replacement fee, high efficiency cogeneration (PMBG)

Energy origin certificate types	2009	2010	2015	2020	2025	2030	2035	2040	2045	2050	2055	2060
PMOZE/PMOZE_A	8.7%	10.4%	12.9%	14.0%	20.0%	30.0%	35.0%	40.0%	45.0%	50.0%	50.0%	50.0%
PMEC	21.3%	21.3%	23.2%	25.0%	25.0%	25.0%	25.0%	25.0%	25.0%	25.0%	25.0%	25.0%
PMGM	0.0%	3.5%	3.5%	4.0%	4.5%	5.0%	5.5%	6.0%	7.0%	7.5%	8.0%	8.5%
PMMET/PMBG	0.0%	0.9%	2.3%	3.0%	3.5%	4.0%	4.5%	5.0%	5.5%	6.0%	6.5%	7.0%

Tab. 5.1. Mandatory shares of electricity from renewable energy sources and high -efficiency cogeneration broken by the categories in place at the property rights market (RPM) in the Polish Power Exchange, own study based on [21, 22, 26] (Designations as per [30])

In tab. 5.1 mandatory shares are presented of electricity from renewable sources and high efficiency cogeneration broken down by the categories in place at the property rights market (RPM) in the Polish Power Exchange. These shares have been developed according to regulations [21, 22] for 2009, 2010 and 2015. The 2020-2060 periods are characterized by a forecast, based on the author's assumptions, of the mandatory shares of different source types. The model assumes the maintenance of support mechanisms across the time frame. It was assumed that by 2050 a 50 per cent share of electricity produced from renewable energy sources should be accomplished in its total sales to end users. The total shares of high efficiency cogeneration are expected at 38.5% and 40.5 % in 2050 and 2060, respectively.

In tab. 5.2 a forecast of the replacement fees is presented. Data for 2010 is based on information of the President of URE Energy Regulatory Office [23, 31]. The forecast covers the period 2015-2060. Currently the Energy Law provides for replacement fee limits compared to the average selling price of electricity in the competitive market. The limit for  $O_{zg}$  fee (PMMET cogeneration – fired with methane released from mines or obtained from biomass processing) amounts from 15% to 110% of the average

selling price, for  $O_{zm}$  fee (PMGM – cogeneration fired with natural gas or from a source with installed electric capacity below 1 MW) – 30–120%, and for  $O_{zk}$  fee (PMEC – other cogeneration sources) – 15–40%. It has been assumed that the replacement rates in the forecast period will depend on the electricity price set by the model user, which is the average forecast electricity price in the competitive market  $O_{ze}$ . In addition, on the basis of draft law [32], from the model year 2015 the replacement fee for RES will be calculated based on the difference of fee rates  $O_{zj} - O_{ze}$ .  $O_{zj}$  fee is expected in 2013 as 470 PLN (2013)/MWh and will be subject to annual indexation. The percentage ratio of substitute fees to electricity prices has been determined on the basis of information [23]. The replacement fee designations are derived from the Act [26]. The average electricity price designation ( $O_{ze}$ ) is derived from draft act [32].

In tab. 5.3 a forecast of correction factors for renewable energy sources is presented. Based on these factors it is determined how many certificates of energy origin there are per unit of energy (1 MWh) produced in a renewable source. They are assigned to the relevant technologies in the model. A problem is the linear nature of the model, which does not distinguish between the

Replacement fee rates by property rights [PLN(2009)/MWh]	2009	2010	2015	2020	2025	2030	2035	2040	2045	2050	2055	2060
$O_{zj}$ (PMOZE/PMOZE_A)	240	286	447	481	517	556	598	643	692	744	800	860
$O_{ze}$ (average electricity price)	197	199	209	224	241	259	279	300	323	347	373	401
$O_{zk}$ (PMEC)	30	30	31	34	36	39	42	45	48	52	56	60
$O_{zg}$ (PMGM)	149	149	157	168	181	195	209	225	242	260	280	301
$O_{zm}$ (PMMET/PMBG)	59	60	63	67	72	78	84	90	97	104	112	120

Tab. 5.2. Forecast of replacement fee rates, own study based on [23, 31, 32]



Correction factors	2009	2010	2015	2020	2025	2030	2035	2040	2045	2050	2055	2060
Agricultural biogas 0.2–0.5 MW	1.00	1.50	1.43	1.35	1.28	1.20	1.13	1.00	1.00	1.00	1.00	1.00
Agricultural biogas 0.5–1.0 MW	1.00	1.45	1.38	1.30	1.23	1.15	1.08	1.00	1.00	1.00	1.00	1.00
Agricultural biogas over 1.0 MW	1.00	1.40	1.33	1.25	1.18	1.10	1.03	1.00	1.00	1.00	1.00	1.00
Biogas from sewage treatment plants or landfills	1.00	0.75	0.68	0.60	0.53	0.50	0.50	0.50	0.50	0.50	0.50	0.50
Biomass up to 10 MW	1.00	1.70	1.60	1.50	1.40	1.30	1.20	1.00	1.00	1.00	1.00	1.00
Biomass over 10 MW	1.00	1.15	1.08	1.00	1.00	1.00	1.00	1.00	1.00	1.00	1.00	1.00
Co-firing of biomass with other fuels	1.00	0.30	0.15	0.00	0.00	0.00	0.00	0.00	0.00	0.00	0.00	0.00
Solar	1.00	2.85	2.40	1.95	1.60	1.50	1.40	1.00	1.00	1.00	1.00	1.00
Onshore wind 0.2–0.5 MW	1.00	1.20	1.13	1.05	1.00	1.00	1.00	1.00	1.00	1.00	1.00	1.00
Onshore wind over 0.5 MW	1.00	0.90	0.83	0.75	0.68	0.60	0.60	0.60	0.60	0.60	0.60	0.60
Offshore wind	1.00	1.80	1.80	1.70	1.50	1.40	1.30	1.00	1.00	1.00	1.00	1.00
Hydro 0.075–1 MW	1.00	1.60	1.53	1.45	1.38	1.30	1.23	1.00	1.00	1.00	1.00	1.00
Hydro 5–20 MW	1.00	2.00	1.93	1.85	1.78	1.70	1.63	1.00	1.00	1.00	1.00	1.00
Hydro over 20 MW	1.00	2.30	2.15	2.00	1.85	1.70	1.55	1.00	1.00	1.00	1.00	1.00

Tab. 5.3. Forecasts of correction factors for renewable energy sources, own study on the basis of [32]

unit size, but only between the technology types. Therefore, it is specified in an arbitrary manner, the factors of which should be considered as representative of the generation technologies. For the model year 2010 factors of 2013 are assumed, and for the model year 2015 – factors from 2017. The values of these years come from the Act [32]. The other factors decrease linearly in the model's subsequent years, in most cases to 1.00.

## 6. Mechanisms to reduce emissions

The following two mechanisms for limiting emissions are mapped in the model. The first of these relates to fees for the use of the environment, the second – to the purchase of emission allowances. The environmental fees are calculated at the rates established in Notice of the Ministry of the Environment [3]. The model considers the fees for emission of the following compounds: carbon dioxide, carbon monoxide, nitrogen oxides, sulphur dioxide, and dust. It also takes account of the fee for groundwater intake. It was assumed that the fee rates in current prices will increase by 20% compared to the previous 5-year period. Assuming a retail price increase, the fee rates are recalculated for 2009 and given in constant prices in tab. 6.1.

Modelling of the CO<sub>2</sub> emission trading scheme (EU ETS) at the regional power system level was the subject of a dissertation [6]. This mechanism is also included in the model developed

for Poland, but in a modified manner due to the anticipated need to purchase all emission allowances at auctions [33]. The methodology, as in [6], consists in assigning the equivalent CO<sub>2</sub> emission rates to generation technologies – representing power plants, cogeneration plants, and heating plants covered by the EU ETS scheme. The emission allowance purchase in the MARKAL model is represented as a cost imposed on an emission equivalent. Due to the lack of allocated allowances, no sale of emission allowances on the market is possible. The forecast of emission allowance prices is presented in tab. 6.2.

## 7. Database of generation technologies

The design of a technical and economic database was another key element of the power system development model. The effect of choosing the right set of technologies and their appropriate description is obtaining reliable optimization results.

The database containing a description of the energy conversion technologies has been developed on the basis of available sources, such as: MARKAL-MATTER database built by ECN (The Netherlands) [24], MARKAL-Belgium database [29], biomass based technology details by Vattenfall AB [25], IASA CO2DB [28], UK MARKAL [27] and based on the author's own research [6]. Technical and economic data for III + generation nuclear power plants is taken from the author's study [34]. The new technologies

Environmental fees – constant prices [PLN (2009)/kg]	2009	2010	2015	2020	2025	2030	2035	2040	2045	2050	2055	2060
Dust	0.2700	0.3122	0.3277	0.3440	0.3611	0.3791	0.3980	0.4178	0.4385	0.4603	0.4832	0.5073
SO <sub>x</sub>	0.4100	0.4683	0.4916	0.5160	0.5417	0.5687	0.5969	0.6266	0.6578	0.6905	0.7249	0.7609
NO <sub>x</sub>	0.4100	0.4683	0.4916	0.5160	0.5417	0.5687	0.5969	0.6266	0.6578	0.6905	0.7249	0.7609
CO	0.1100	0.1073	0.1127	0.1183	0.1241	0.1303	0.1368	0.1436	0.1507	0.1582	0.1661	0.1744
CO <sub>2</sub>	0.0002	0.0003	0.0003	0.0003	0.0003	0.0003	0.0003	0.0003	0.0004	0.0004	0.0004	0.0004
Groundwater intake	0.0001	0.0001	0.0001	0.0001	0.0001	0.0001	0.0002	0.0002	0.0002	0.0002	0.0002	0.0002

Tab. 6.1. Forecast of environmental fees, own study based on [3]

Emission allowances – constant prices [PLN (2009)/kg]	2009	2010	2015	2020	2025	2030	2035	2040	2045	2050	2055	2060
CO <sub>2</sub> emission allowances	0.0000	0.0000	0.0662	0.1738	0.1824	0.1915	0.2010	0.2110	0.2215	0.2326	0.2441	0.2563
SO <sub>x</sub> emission allowances	0.0000	0.0000	4.3115	4.5259	4.7511	4.9874	5.2355	5.4959	5.7693	6.0562	6.3575	6.6737
NO <sub>x</sub> emission allowances	0.0000	0.0000	4.3115	4.5259	4.7511	4.9874	5.2355	5.4959	5.7693	6.0562	6.3575	6.6737

Tab. 6.2. Prices of CO<sub>2</sub>, SO<sub>x</sub> and NO<sub>x</sub> emission allowances in Poland, own study based on [33]

database complements the set of information on the existing power plants, the technological units of which are partly based on the parameters obtained from the sources listed above.

A major drawback of the above-mentioned databases, excluding Vattenfall and IIASA CO2DB, is the lack of a description of emission rates per unit of energy produced. To account for polluting emissions in the power sector, the rates of emissions per input energy unit were taken from IIASA CO2DB. These rates were developed for each fuel, boiler type (or technology) and flue gas cleaning plant.

Data on the planned investments in new power plants, greenfield and retrofit projects alike, has been taken from "PSE- Operator SA Development Plan until 2025" [1]. The quantitative restrictions on electricity imports and exports are based on historical data published in ARE SA statistics [4].

The fixed unit operation and maintenance (fixed O&M) cost rate is expressed in EUR (2009) / kW / year and designated as TCH\_FIXOM. The rates have been determined on the basis of UK MARKAL model data, by converting them from British Pounds

(GBP) to Euro (EUR) at the exchange rate as of 1 January 2009. Similarly converted is the unit capital expenditure rate expressed in Euro (2009)/kW and designated as TCH\_INVCO<sub>S</sub>, and the unit variable operating costs (excluding fuel – variable O&M) costs, expressed in Euro (2009) / GJ and designated as TCH\_VAROM.

## 8. Summary

In the next part of the series an analysis of the results obtained for two variants of the demand for electricity – A and B will be presented. The results will concern in particular: investment in new generating units with the required capital expenditures, and the installed electric capacity and the electricity output mixes.

Further research will involve, among other things, expansion of the power system model, connection feasibility study of the generation sources identified by the MARKAL model, and analysis of the scenarios of mechanisms to promote renewable energy sources and to reduce CO<sub>2</sub>, SO<sub>x</sub> and NO<sub>x</sub> emissions.

No	Symbol	Name	CEN/ DCN	BAS/ NBN/ XLM/ STG/ PEAK	ELE/HPL/ CPD/ STG	First year available	Technical lifetime	Annual availability	Efficiency of electri- city / heat generation	Unit capex	Unit fixed O&M	Unit variable O&M (without fuel)	Contri- bution to peak demand	Cogene- ration rate
			-	-	-	-	a	%	%	EUR/kW	EUR/ kW/a	EUR/GJ	%	GJ/GJ
1	E11	hard coal fired commercial plants	CEN	BAS	CPD	2005	45	0.879	37%	863	19.7	0.23	1.00	19,06
2	E12	lignite fired commercial plants	CEN	BAS	CPD	2005	45	0.873	37%	863	19.7	0.23	1.00	36,47
3	E1A	hard coal fired commercial thermal plants – new (2010–2025)	CEN	BAS	ELE	2015	50	0.9	43%	981	19.2	0.35	0.90	none
4	E1B	lignite fired commercial thermal plants – new (2010–2025)	CEN	BAS	ELE	2010	50	0.9	43%	981	19.2	0.35	0.90	none
5	E1D	IGCC CCS – HC	CEN	BAS	ELE	2020	35	0.9	40%	1365	29.3	0.00	0.90	none
6	E1E	PF CCS – HC	CEN	BAS	ELE	2020	50	0.9	45%	1537	29.3	0.00	0.90	none
7	E2A	new nuclear plants with PWR reactors (2025–2030)	CEN	BAS	ELE	2025	60	0.83	35%	3529	103.1	0.56	0.90	none
8	E2B	IV Gen. Nuclear – GTMHR (U235 enrichment 19%)	CEN	BAS	ELE	2040	50	0.83	48%	3384	93.1	0.00	0.90	none
9	E2C	IV Gen. Nuclear – PBR Pebble bed reactor (U235 enrichment 9%)	CEN	BAS	ELE	2040	50	0.83	35%	3384	93.1	0.63	0.90	none
10	E31	through-flow hydro – independent	DCN	NBN	ELE	2005	100	0.5	34%	1636	163.6	0.00	0.51	none
11	E33	wind	DCN	NBN	ELE	2005	25	0.5	40%	1483	50.8	0.00	0.43	none
12	E34	biogas	DCN	NBN	ELE	2005	35	0.8	58%	902	7.9	0.63	0.80	none
13	E35	biomass	DCN	NBN	ELE	2005	20	0.8	44%	1777	74.4	0.15	0.80	none
14	E3A	wind – new (2010-2025)	DCN	XLM	ELE	2010	25		40%	761	30.5	0.63	0.23	none
15	E3B	wind – offshore	CEN	XLM	ELE	2020	25		40%	1975	39.5	0.81	0.43	none
16	E3C	PV photovoltaic	CEN	XLM	ELE	2015	30		40%	7135	0.0	0.85	0.00	none
17	E3D	energy crop gasification (biomass)	DCN	BAS	ELE	2015	20	0.83	44%	1777	74.4	0.11	0.90	none
18	E3E	gas/steam GTCC with biomass gasification	DCN	BAS	ELE	2020	35	0.83	58%	902	7.9	0.44	0.90	none
19	E3F	gas/steam GTCC with biomass gasification and CO <sub>2</sub> sequestration (after 2030)	CEN	BAS	ELE	2030	35	0.83	34%	2555	111.7	0.00	0.90	none
20	E3G	energy crop gasification (biomass) – newer	DCN	BAS	ELE	2020	20	0.83	47%	2362	69.9	0.00	0.90	none
21	E3H	biogas engine	DCN	BAS	ELE	2015	20	0.57	27%	1105	16.9	0.15	0.90	none
22	E3J	municipal waste fired steam turbine	CEN	BAS	ELE	2015	30	0.52	28%	1253	0.0	0.63	1.00	none
23	E4A	intervention gas sources (2015–2025)	CEN	PEAK	ELE	2015	35		55%	451	7.9	0.81	0.90	none
24	E4B	natural gas fired commercial thermal plants – new (2010–2025)	CEN	BAS	ELE	2015	35	0.83	55%	451	7.9	0.63	0.90	none
25	E4C	steam/gas GTCC with CCS	DCN	BAS	ELE	2020	35	0.83	47%	778	13.6	23.69	0.90	none
26	E4E	natural gas fuel cells	DCN	NBN	ELE	2020	25	0.5	40%	1879	0.0	0.00	0.90	none
27	E52	other commercial hydro (natural inflow)	CEN	NBN	ELE	2005	80	0.5	40%	1636	163.6	0.00	1.00	none
28	E53	pumped storage	CEN	STG	STG	2005	80	0.5	67%	1821	1.5	0.76	1.00	none
29	E55	hydro with pumped segment	CEN	NBN	ELE	2005	80	0.5	40%	1636	163.6	0.00	1.00	none
30	E64	commercial CHP – EC1	CEN	NBN	CPD	2005	50	0.95	29%	882	14.7	0.81	0.85	0.59
31	E65	commercial CHP – EC2	CEN	NBN	CPD	2005	45	0.95	33%	882	14.7	0.81	0.85	0.93
32	E66	commercial CHP – EC3	CEN	NBN	CPD	2005	45	0.95	23%	882	14.7	0.81	0.85	0.48
33	E67	commercial CHP – EC4	CEN	NBN	CPD	2005	50	0.95	18%	882	14.7	0.81	0.85	0.30
34	E68	independent CHP – ECN	CEN	NBN	CPD	2005	40	0.95	15%	882	14.7	0.81	0.85	0.31
35	E6A	hard coal fired commercial CHP – new (2010–2025)	DCN	NBN	CPD	2015	20	0.44	11%	882	14.7	0.35	0.50	0.20
36	E6B	natural gas fired commercial CHP – new (2010–2025)	DCN	NBN	CPD	2015	20	0.67	27%	756	0.5	0.35	0.50	0.51
37	E6C	BIO fired commercial CHP – new (2010–2025)	DCN	NBN	CPD	2015	20	0.55	16%	3384	56.4	0.63	0.50	0.27
38	E6D	biogas CHP (new)	DCN	NBN	CPD	2015	20	0.46	35%	1128	0.5	0.00	0.50	0.90
39	E6E	fuel cells CHP (natural gas)	DCN	NBN	CPD	2020	20	0.9	49%	972	0.0	0.53	0.90	2.46
40	E6F	gas microturbine CHP (<120 kW)	DCN	NBN	CPD	2015	20	0.7	33%	2792	0.0	0.15	0.50	0.70
41	E81	industrial hard coal CHP	DCN	NBN	CPD	2005	40	0.95	14%	882	14.7	0.81	0.85	0.20
42	E82	industrial natural gas CHP	DCN	NBN	CPD	2005	40	0.95	6%	756	0.5	1.09	0.85	0.18
43	E83	industrial biomass biogas CHP	DCN	NBN	CPD	2005	40	0.95	14%	1128	0.5	1.74	0.85	0.19
44	E84	other fuel industrial CHP	DCN	NBN	CPD	2005	40	0.95	14%	883	14.7	0.81	0.85	0,21



No	Symbol	Name	CEN/ DCN	BAS/ NBN/ XLM/ STG/ PEAK	ELE/HPL/ CPD/ STG	First year available	Technical lifetime	Annual availability	Efficiency of electri- city / heat generation	Unit capex	Unit fixed O&M	Unit variable O&M (without fuel)	Contri- bution to peak demand	Cogene- ration rate
			–	–	–									
45	H10	commercial heat	CEN	none	HPL	2005	20	0.9	80%	100	7	0.00	1.00	none
46	H20	non-commercial heat	DCN	none	HPL	2005	20	0.9	78%	130	2.6	0.00	1.00	none
47	H31	industry	DCN	none	HPL	2005	20	0.9	80%	130	2.6	0.00	1.00	none
48	H32	services	DCN	none	HPL	2005	20	0.9	80%	130	2.6	0.00	1.00	none
49	H33	households	DCN	none	HPL	2005	20	0.9	80%	130	2.6	0.00	1.00	none
50	H34	agriculture	DCN	none	HPL	2005	20	0.9	80%	130	2.6	0.00	1.00	none
51	H40	individual – to complete heat balance	DCN	none	HPL	2005	15	0.9	80%	130	2.6	0.00	1.00	none
52	H1A	natural gas heat	CEN	none	HPL	2010	20	0.69	64%	756	2.9	0.00	0.50	none
53	H1B	geothermal heat	CEN	none	HPL	2020	40	0.64	70%	2387	48.5	0.70	0.63	none
54	H1C	solar heat	CEN	none	HPL	2015	20	0.083	25%	620	6.3	1.74	0.00	none
55	H1D	biomass heat	CEN	none	HPL	2010	20	0.5	75%	902	18.0	5.89	1.00	none

Tab. 7.1. Technical and economic data of generation technologies in the MARKAL model, own study based on [24, 25, 27, 29]

CEN – centralized, DCN – decentralized BAS – baseload, NBN – non-baseload, independent of weather, XLM – dependent on weather, STG – storage, PEAK – peak, ELE – power plants, HPL – heating plants, CPD – cogeneration plants or plants adapted to heat output.

## REFERENCES

- Plan rozwoju PSE Operator SA do 2025 roku [PSE- Operator SA Development Plan until 2025], PSE Operator SA, Konstancin-Jeziorna 2010.
- Zapotrzebowanie mocy w KSE [Power demand in the NPS], PSE Operator SA [online], Konstancin-Jeziorna 2012, <http://www.pse-operator.pl/index.php?dzid=77>.
- Obwieszczenie ministra środowiska z dnia 4 października 2010 roku w sprawie wysokości stawek opłat za korzystanie ze środowiska na rok 2011 [Notice of the Minister of the Environment of 4 October 2010 on the rates of fees for the use of the environment in 2011], *Monitor Polski* 2010, issue 74, item 945.
- Statystyka Elektroenergetyki Polskiej 2001-2009 [Polish Power Sector Electricity Statistics 2001–2009], ARE SA Energy Market Agency, Warsaw 2002–2010.
- Statystyka Ciepłownictwa Polskiego [Polish Heat Sector Electricity Statistics 2007–2009], ARE SA Energy Market Agency, Warsaw 2008–2010.
- Jaskólski M., Modelowanie rozwoju regionalnych systemów energetycznych ze szczególnym uwzględnieniem bioenergii [Modeling the development of regional power systems, with particular emphasis on bioenergy], doctoral dissertation, Gdańsk University of Technology, Gdańsk 2006.
- Jaskólski M., Bućko P., Modelowanie rozwoju systemów energetycznych z uwzględnieniem mechanizmów promowania odnawialnych źródeł energii [Modeling the development of power systems including mechanisms to promote renewable energy sources], *Archiwum Energetyki* 2007, vol. XXXVII, Special Issue: XII International Scientific Conference "Current Problems in Power Engineering – APE07", 2007, Polish Academy of Sciences, Committee for Energy Studies, Gdańsk 2007.
- Jaskólski M., Bućko P., Odzworowanie mechanizmów promowania odnawialnych źródeł energii w modelach rozwoju systemów energetycznych [Mapping mechanisms for the promotion of renewable energy sources in power system development models], *Rynek Energii*, April 2007, issue 2(69), pp. 41–47, Kaprint. Lublin 2007.
- Obwieszczenie ministra gospodarki z dnia 12 grudnia 2007 roku w sprawie raportu oceniającego postęp osiągnięty w zwiększaniu udziału energii elektrycznej wytwarzanej w wysokosprawnej kogeneracji w całkowitej krajowej produkcji energii elektrycznej [Notice of the Minister of Economy of 12 December 2007 on the assessment report on the progress made in increasing the share of electricity produced from high-efficiency cogeneration in the country's total electricity production], *Monitor Polski* year 2008, issue 1, items 11 and 12.
- Prognoza ludności na lata 2008–2035 [Population forecasts for 2008–2035], GUS Central Statistical Office, Warsaw 2009.
- Prognoza gospodarstw domowych na lata 2008–2035 [Households forecasts for 2008–2035], GUS Central Statistical Office, Warsaw 2009.
- Stan i prognoza koniunktury gospodarczej issue 71, The Gdańsk Institute for Market Economics, August 2011.
- Polska – wskaźniki makroekonomiczne [Poland – macroeconomic indicators] (PKD 2007), GUS Central Statistical Office [online], Warsaw, 14 September 2011, [www.stat.gov.pl](http://www.stat.gov.pl).
- Budownictwo mieszkaniowe 1991–2011 [Housing development 1991–2011], GUS Central Statistical Office [online], Warsaw, 16 September 2011, [www.stat.gov.pl](http://www.stat.gov.pl).
- Gospodarka mieszkaniowa w 2009 [Housing management in 2009], GUS Central Statistical Office [online], Warsaw, 16 November 2010, [www.stat.gov.pl](http://www.stat.gov.pl).
- Infrastruktura komunalna w 2009 [Municipal infrastructure in 2009], GUS Central Statistical Office [online], Warsaw, 15 November 2010, [www.stat.gov.pl](http://www.stat.gov.pl).

17. Strategia Rozwoju Kraju 2007–2015 [The National Development Strategy 2007-2015], Ministry of Regional Development, Warsaw, November 2006.
18. Polityka energetyczna Polski do 2030 roku [Polish Energy Policy until 2030], Ministry of Economy, Warsaw 2009.
19. World Energy Outlook 2009, OECD/IAE 2009.
20. World Energy Outlook 2010, OECD/IAE 2010.
21. Rozporządzenie Ministra Gospodarki z dnia 26 lipca 2011 roku w sprawie sposobu obliczania danych podanych we wniosku o wydanie świadectwa pochodzenia z kogeneracji oraz szczegółowego obowiązku uzyskania i przedstawienia do umorzenia tych świadectw, uiszczania opłaty zastępczej i obowiązku potwierdzenia danych dotyczących ilości energii elektrycznej wytworzonej w wysokosprawnej kogeneracji [Regulation of the Minister of Economy of 26 July 2011 on the method to calculate data presented in the application for a certificate of origin from cogeneration, and the specific obligation to obtain and present to redeem these certificates, pay the replacement fee and to confirm the data on the electricity output from high-efficiency cogeneration], J. of L. 2011, issue 176, item 1052.
22. Rozporządzenie Ministra Gospodarki z dnia 14 sierpnia 2008 roku w sprawie szczegółowego zakresu obowiązków uzyskania i przedstawienia do umorzenia świadectw pochodzenia, uiszczania opłaty zastępczej, zakupu energii elektrycznej i ciepła wytworzonych w odnawialnych źródłach energii oraz obowiązku potwierdzenia danych dotyczących ilości energii elektrycznej wytworzonej w odnawialnym źródle energii [Regulation of the Minister of Economy of 14 August 2008 on the detailed scope of the responsibilities to obtain and present for redemption the certificates of origin, to pay the replacement fee, to purchase electricity and heat produced from renewable energy sources, and the responsibility to confirm the data on the amount of electricity generated from renewable energy sources], J. of L. 2008, issue 156, item. 969.
23. Informacja Prezesa Urzędu Regulacji Energetyki nr 15/2012 w sprawie jednostkowych opłat zastępczych dla kogeneracji obowiązujących w 2013 roku. [Information of the President of the Energy Regulatory Office No. 15/2012 on the unit replacement fees for CHP in 2013].
24. ETSAP, Energy Technology Systems Analysis Programme, MARKAL MATTER Model Database 4.2. Input Data Technologies and Processes [online], Torino 2005, <http://www.etsap.org/markal/matter/data/main.html>.
25. Münter M., Hinderson A., Sustainable Energy in Poland – Vattenfall In-Kind Contribution (I), Vattenfall Utveckling AB. Stockholm, Sweden 2003.
26. Prawo energetyczne [The energy law], Act of April 10, 1997.
27. UK MARKAL Model v3.24: Documentation [online], [http://www.ukerc.ac.uk/support/tiki-index.php?page=ES\\_MARKAL\\_Documentation\\_2010](http://www.ukerc.ac.uk/support/tiki-index.php?page=ES_MARKAL_Documentation_2010).
28. Strubegger M. et al., CO2DB Manual Version 2.0. IIASA, Laxenburg, Austria 1999.
29. CES KUL, CES KULeuven – VITO, Federal Office for Scientific, Technical and Cultural Affairs, The Belgian Markal Database, Brussels 2001.
30. Regulamin rejestru świadectw pochodzenia prowadzonego przez Towarową Giełdę Energii SA [Rules of the Register of certificates of origin maintained by the Polish Power Exchange], The consolidated text adopted by the resolution of the Board No. 142/28/11 dated 18 July 2011, entered into force on 1 August 2011.
31. President of the Energy Regulatory Office, Information 2/2012 on the unit replacement fee to be used to calculate the replacement fee in the implementation of the obligation referred to in Article 9a Sect. 1 and 2 of the Energy Law for 2012, Warsaw, February 8, 2012.
32. The Law on renewable energy sources – the draft of 20 December 2011, Ministry of Economy, Energy Department, Warsaw 2011.
33. Miłek M., Problemy z pakietem klimatyczno-energetycznym [Problems with the Climate and Energy Package], KIG National Chamber of Commerce, Chamber of Energy and Environmental Protection, Warsaw 2012.
34. Jaskólski M., Analiza kosztów wytwarzania energii elektrycznej w elektrowni jądrowej [Cost analysis of electricity generation in nuclear power plants], XV International Conference "Present-Day Problems of Power Engineering APE '11", Jurata 2011, Conference proceedings, Gdańsk 2011.
35. (PEP2030, 2011) ARE SA Energy Market Agency, Aktualizacja prognozy zapotrzebowania na paliwa i energię do roku 2030 [Updated forecasts of demand for fuels and energy until 2030], Warsaw, September 2011.
36. Dąsal K., Popławski T., Rusek K., Ocena długoterminowych prognoz zużycia energii i mocy szczytowych w systemach elektroenergetycznych [Assessment of long-term forecasts of energy consumption and peak powers in power systems], *Polityka Energetyczna* 2011, vol. 14, book 2.
37. (RAPORT2050) Impact assessment of the establishment of the objectives of deep reductions in greenhouse gas emissions in the EU by 2050, with particular consideration of the electricity generation decarbonisation effects for Poland – SYNTHESIS, System Research of EnergSys Sp. z o.o. commissioned by Polish Electricity Committee, version of 14 June 2010, Warsaw, Poland, June 2010.

### Marcin Jaskólski

Gdańsk University of Technology

e-mail: [mjask@ely.pg.gda.pl](mailto:mjask@ely.pg.gda.pl)

Works at the Power Engineering Department of Gdańsk University of Technology. His scientific interests, besides integrated modelling of power system development, include the use of renewable energy resources and nuclear power generation.



This is a supporting translation of the original text published in this issue of "Acta Energetica" on pages 4-13. When referring to the article please refer to the original text.

PL

# Zastosowanie modelu MARKAL do optymalizacji struktury wytwarzania energii elektrycznej w Polsce w długoterminowym horyzoncie czasowym

## Część II. Założenia modelu i prognozy

### Autor

Marcin Jaskólski

### Słowa kluczowe

MARKAL, planowanie energetyczne, prognozy energetyczne

### Streszczenie

Niniejszy artykuł, będący kontynuacją cyklu o tej tematyce, przedstawia założenia modelu rozwoju systemu energetycznego w zakresie struktury technologicznej wytwarzania energii elektrycznej w Polsce, w perspektywie długoterminowej, do 2060 roku. Model ten oparty jest na strukturze matematycznej pakietu optymalizacyjnego MARKAL. Opracowano m.in. prognozę zapotrzebowania finalnego na energię elektryczną i ciepło, aktualną strukturę mocy i produkcji energii elektrycznej w Polsce oraz prognozę wyłączenia mocy w istniejących elektrowniach i elektrociepłowniach. Opracowanie zawiera również zestawienie wskaźników techniczno-ekonomicznych technologii energetycznych rozpatrywanych w modelu.

Autor nie ponosi odpowiedzialności za skutki wykorzystania przedstawionych wyników badań.

### 1. Wprowadzenie

Niniejszy artykuł stanowi kontynuację cyklu o tematyce modelowania rozwoju struktury wytwarzania energii elektrycznej w Polsce, w długoterminowym horyzoncie czasowym, do 2060 roku. Przedstawiono w nim najważniejsze założenia modelu energetycznego MARKAL dla Polski (MARKAL-PL).

W rozdziale 2 zaprezentowano prognozy finalnego zapotrzebowania na energię elektryczną i ciepło. Prognozę popytu na energię elektryczną opracowano w wariantach A i B. Z kolei rozdział 3 zawiera prognozę struktury mocy zainstalowanej w blokach energetycznych istniejących elektrowni. Wyłączanie istniejących bloków energetycznych nie podlega optymalizacji, gdyż zmiana odpowiadająca przyrostowi mocy danej technologii nie może przyjmować wartości ujemnych. Wycofanie mocy może być modelowane poprzez parametr modelu, w którym określa się, ile tej mocy w technologicznej grupie elektrowni, istniejących przed pierwszym rokiem analizy modelowej, pozostaje w krajowym systemie elektroenergetycznym (KSE) w kolejnych latach analizy. W przypadku inwestycji w nowe jednostki, które nie były zainstalowane przed pierwszym rokiem analizy, wycofanie mocy następuje po upływie okresu eksploatacji właściwego dla danej technologii. W rozdziale 4 przedstawiono prognozę cen paliw i energii. Rozdział 5 zawiera założenia dotyczące obowiązkowego udziału energii elektrycznej ze źródeł odnawialnych oraz wytworzonej w wysokosprawnej kogeneracji. Ponadto opracowano prognozę zmian współczynników korekcyjnych dla świadectw pochodzenia energii z różnego rodzaju źródeł odnawialnych oraz prognozę stawek opłat zastępczych dla każdego typu świadectw – z OZE i kogeneracji. Prognozy stawek opłat za użytkowanie środowiska i cen uprawnień do emisji CO<sub>2</sub>, SO<sub>x</sub> i NO<sub>x</sub> zaprezentowano w rozdziale 6.

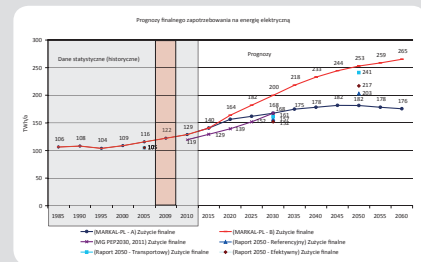
W rozdziale 7 zawarto zestawienie wskaźników techniczno-ekonomicznych technologii energetycznych wybranych do analizy.

### 2. Prognozy finalnego zapotrzebowania na energię elektryczną i ciepło

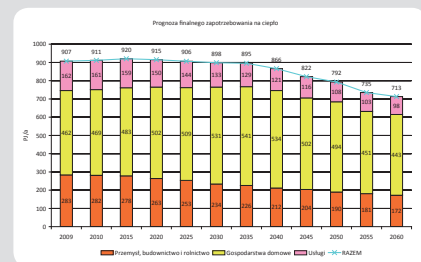
Określenie bieżącego i przyszłego finalnego zapotrzebowania na energię jest jednym z najważniejszych założeń przyjmowanych w bilansowym modelu systemu energetycznego, budowanym za pomocą pakietu MARKAL. W modelu dla Polski określono finalne zużycie energii elektrycznej i ciepła oraz wyznaczono prognozę zapotrzebowania na te nośniki.

Prognozę zapotrzebowania na energię elektryczną opracowano w dwóch wariantach – A i B. Sporządzono ją na podstawie bilansu energii elektrycznej w krajowej gospodarce w latach 1985–2010, w odstępach pięcioletnich [4] oraz na podstawie danych o liczbie ludności i wartości PKB [10, 12, 13]. Opiera się ona na zmianach wskaźników zużycia energii elektrycznej na jednostkę PKB oraz na jednostkę ludności z uwzględnieniem zmniejszenia elektrochłonności PKB oraz zwiększenia wskaźnika zużycia *per capita*. Problematykę długoterminowego prognozowania zapotrzebowania na energię podejmowano w pracy [36].

Prognozę w obu wariantach porównano z wynikami aktualizacji prognozy zapotrzebowania na paliwa i energię na potrzeby „Polityki energetycznej Polski do 2030 roku” [35] oraz prognozą opracowaną w Raportie 2050 dla Polskiego Komitetu Energii Elektrycznej (PKEE), opublikowaną w streszczeniu decyzyjnym [37]. Rezultaty prognozowania przedstawiono na rys. 2.1. Dane na temat bieżącego finalnego zapotrzebowania na ciepło niskotemperaturowe zostały zaczerpnięte ze statystyk ciepłownictwa polskiego ARE SA [5]. Prognozę zapotrzebowania na ciepło opracowano na podstawie prognozy budownictwa



Rys. 2.1. Prognozy zapotrzebowania na energię elektryczną w Polsce do 2060 roku, opracowanie własne na podstawie danych ARE SA [4] i GUS [10, 12, 13] oraz zaczerpnięte z [35] i [37]



Rys. 2.2. Prognoza finalnego zapotrzebowania na ciepło w Polsce do 2060 roku, opracowanie własne na podstawie danych [9-17]

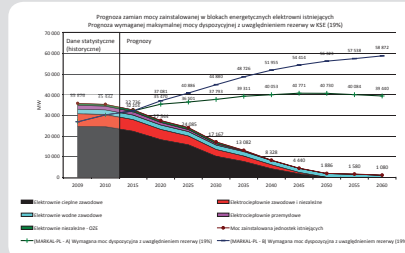
mieszkaniowego (sektor mieszkaniowy) oraz zmian PKB i jego energochłonności (przemysł i usługi). Do tego celu wykorzystano dane Głównego Urzędu Statystycznego [10-17] oraz założenia zawarte w opracowaniu [9]. Prognozę zapotrzebowania na ciepło w Polsce do 2060 roku przedstawiono na rys. 2.2. Założono jedną, wspólną dla wariantów A i B, prognozę zapotrzebowania na ciepło.

Prognoza popytu na ciepło zakłada, że przyrosty zapotrzebowania będą kompensowane poprzez zastosowanie technologii o wyższej efektywności użytkowania ciepła. W efekcie zapotrzebowanie powinno utrzymać się na poziomie przekraczającym 900 PJ/a do 2025 roku, po czym powinno spadać aż do 713 PJ/a w 2060 roku. Uwzględnienie zapotrzebowania na ciepło w modelu optymalizującym strukturę wytwarzania energii elektrycznej jest istotne z punktu widzenia wykorzystania kogeneracji.

### 3. Prognoza struktury mocy zainstalowanej w istniejących jednostkach wytworczych zainstalowanych w KSE

Sporządzenie bilansu energii w roku początkowym (2009) i zebranie danych o istniejącej przed tym rokiem strukturze wytwarzania i jej starzeniu się w rozpatrywanym horyzoncie czasowym ma istotne znaczenie dla bilansowego modelu rozwoju rzeczywistości istniejącego systemu energetycznego. W tym celu skorzystano z danych ARE SA [4] o produkcji energii elektrycznej i mocy osiągalnej w poszczególnych elektrowniach ciepłych zawodowych, a także ogólnie w elektrociepłowniach przemysłowych, elektrowniach wodnych i szczytowo-pompowych oraz odnawialnych źródłach energii. Ponadto oszacowano moc zainstalowaną i roczną produkcję ciepła w ciepłowniach zawodowych, ciepłowniach niezawodowych oraz źródłach lokalnych i indywidualnych [9].

Opierając się na informacjach zaczerpniętych z „Planu rozwoju PSE-Operator SA do roku 2025” [1] oraz na własnych założeniach,



Rys. 3.1. Prognoza struktury mocy zainstalowanej w istniejących blokach energetycznych w Polsce do 2060 roku oraz prognoza wymaganej maksymalnej mocy dyspozycyjnej z uwzględnieniem rezerwy w KSE (opracowanie własne na podstawie danych [1, 2, 4])

bazujących na roku zainstalowania i modernizacji urządzeń energetycznych, określono rok wyłączenia poszczególnych elektrowni. Prognozę wymaganej maksymalnej mocy dyspozycyjnej z uwzględnieniem rezerwy w KSE wyznaczono na podstawie prognozy zapotrzebowania na energię elektryczną oraz korzystając z jej rozkładu w czasie. Prognozę struktury mocy zainstalowanej w istniejących blokach energetycznych oraz prognozę maksymalnej mocy dyspozycyjnej z uwzględnieniem rezerwy w KSE w latach 2010–2060 przedstawiono na rys. 3.1. Lata 2009 i 2010 zawierają dane statystyczne i nie są objęte prognozą.

W modelu MARKAL-PL istniejące elektrownie ciepłe zawodowe i przemysłowe zostały pogrupowane według klasyfikacji zaproponowanej w statystykach ARE SA [4]. W każdej grupie zebrano dane: o jednostkowym zużyciu paliwa

brutto i netto do obliczenia sprawności wytwarzania energii, o produkcji ciepła w skojarzeniu z energią elektryczną oraz w kotłach ciepłowniczych, produkcji energii elektrycznej oraz mocy zainstalowanej. Dodatkowo, na podstawie danych ARE SA o całkowitych emisjach dla każdej grupy elektrowni, wprowadzono wskaźniki emisji na jednostkę wyprodukowanej energii.

### 4. Prognozy cen paliw i energii

W modelu MARKAL ceny paliw są odniesione do jednostki energii zgromadzonej w paliwie, tzn. wyrażone są w EUR(2009)/GJ. Dlatego, oprócz ceny za jednostkę masy lub objętości, wymagana jest znajomość albo wartości opałowej paliwa, albo gęstości energii w nim zgromadzonej. Wskaźniki zmian cen energii opracowano m.in. na podstawie World Energy Outlook 2009 i 2010 [19]. Prognozowane ceny paliw wyrażone są w cenach stałych, w jednostkach monetarnych z 2009 roku. Przedstawiono je w tab. 4.1.

### 5. Mechanizmy promowania odnawialnych źródeł energii i wysokosprawnej kogeneracji

Regulacje prawne, dotyczące mechanizmów promowania energii elektrycznej z odnawialnych źródeł energii oraz energii elektrycznej wytworzonej w wysokosprawnej kogeneracji, zostały zapisane w ustawie Prawo energetyczne [26] oraz w rozporządzeniach ministra gospodarki [21, 22]. Przygotowywany jest dokument aktualizujący przepisy – ustawa o odnawialnych źródłach energii [32].

Ceny stałe EUR (2009)/GJ	2009	2010	2015	2020	2025	2030	2035	2040	2045	2050	2055	2060
IMPELC1	13,70	13,81	14,49	15,58	16,76	18,02	19,38	20,84	22,41	24,10	25,91	27,86
IMPELC2	16,43	16,58	17,39	18,70	20,11	21,62	23,25	25,00	26,89	28,91	31,09	33,44
EXPELC1	10,96	11,05	11,59	12,47	13,41	14,42	15,50	16,67	17,93	19,28	20,73	22,29
MINHCO1	4,40	4,41	4,52	4,63	4,75	4,86	4,98	5,11	5,23	5,36	5,49	5,63
IMPHCO1	4,64	4,65	4,76	4,88	5,00	5,12	5,25	5,38	5,51	5,64	5,78	5,93
MINLIG1	3,53	3,62	3,70	3,80	3,89	3,99	4,08	4,18	4,29	4,39	4,50	4,61
MINNGA1	8,35	8,35	8,76	9,43	10,14	10,90	11,72	12,60	13,55	14,57	15,67	16,85
IMPNGA1	11,67	11,67	12,24	13,16	14,15	15,22	16,37	17,60	18,93	20,35	21,89	23,54
MINOTH1	17,02	17,02	17,85	19,20	20,65	22,20	23,87	25,67	27,61	29,69	31,92	34,33
RNW BIO1	3,76	4,29	4,72	5,32	6,00	6,77	7,64	8,61	9,72	10,96	12,36	13,95
RNWBGS1	2,73	4,15	4,56	5,15	5,81	6,55	7,39	8,34	9,40	10,61	11,97	13,50
RNWBGG1	3,76	4,29	4,72	5,32	6,00	6,77	7,64	8,61	9,72	10,96	12,36	13,95
MINLQD1	17,02	17,02	17,85	19,20	20,65	22,20	23,87	25,67	27,61	29,69	31,92	34,33
MINPAX1	7,40	7,69	7,52	7,57	8,08	8,46	8,85	9,23	9,62	10,00	10,38	10,77
IMPURN1	0,78	0,78	0,86	0,97	1,10	1,24	1,40	1,57	1,78	2,00	2,26	2,55
RNWSMW1	17,86	17,86	17,00	16,59	16,19	15,80	15,42	15,04	14,68	14,33	13,98	13,64

Tab. 4.1. Prognozy cen nośników energii w modelu MARKAL, opracowanie własne na podstawie [19]

IMPELC1 – import energii elektrycznej, IMPELC2 – import energii elektrycznej, EXPELC1 – eksport energii elektrycznej, MINHCO1 – wydobywanie węgla kamiennego, IMPHCO1 – import węgla kamiennego, MINLIG1 – wydobywanie węgla brunatnego, MINNGA1 – wydobywanie gazu ziemnego, IMPNGA1 – import gazu ziemnego, MINOTH1 – pozyskanie innych paliw, RNWBIO1 – pozyskanie biomasy, RNWBGS1 – pozyskanie biogazu, RNWBGG1 – pozyskanie biomasy i biogazu, MINLQD1 – pozyskanie paliw ciekłych, MINPAX1 – pozyskanie innych paliw, IMPURN1 – import uranu, RNWSMW1 – pozyskanie odpadów komunalnych stałych



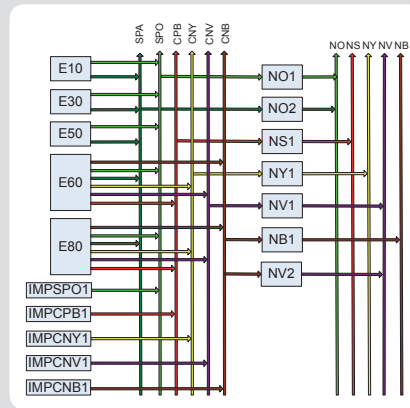
Modelowanie mechanizmów promowania OZE w programie MARKAL było przedmiotem rozprawy [6], a metoda badawcza została opublikowana w pracach [7, 8]. Prace te jednak powstały, zanim wdrożono system wsparcia kogeneracji. Model zakładał istnienie pojedynczej kategorii świadectw pochodzenia energii z kogeneracji (tzw. czerwonych certyfikatów), ale w efekcie wprowadzenia zapisów prawnych w ustawie kogeneracja została podzielona na trzy kategorie, mianowicie [26]:

- 1) **wysokosprawna kogeneracja opalana paliwami gazowymi lub o łącznej mocy zainstalowanej elektrycznej źródła poniżej 1 MW (prawa majątkowe – PMGM)**
- 1a) **wysokosprawna kogeneracja opalana metanem uwalnianym i ujmowanym przy dołowych robotach górniczych w czynnych, likwidowanych lub zlikwidowanych kopalniach węgla kamiennego (PMMET) lub gazem uzyskiwanym z przetwarzania biomasy w rozumieniu art. 2 ust. 1 pkt 2 ustawy o biokomponentach i biopaliwach ciekłych (PMBG)**

2) **inna niż wymieniona w pkt 1 i 1a (PMEC).** Dlatego uwzględniono różne świadectwa pochodzenia energii elektrycznej z wysokosprawnej kogeneracji w modelu MARKAL oraz prawa majątkowe do nich. Według regulaminu Towarowej Giełdy Energii SA [30] podział praw majątkowych do świadectw pochodzenia jest następujący:

- **PMOZE** – prawa majątkowe do świadectw pochodzenia dla energii elektrycznej wyprodukowanej w OZE, której określony w świadectwie pochodzenia okres produkcji rozpoczął się przed 1 marca 2009 roku
- **PMOZE\_A** – prawa majątkowe do świadectw pochodzenia dla energii elektrycznej wyprodukowanej w OZE, której określony w świadectwie pochodzenia okres produkcji rozpoczął się od 1 marca 2009 roku
- **PMGM** – prawa majątkowe do świadectw pochodzenia dla energii elektrycznej wyprodukowanej w kogeneracji opalanej paliwami gazowymi lub o łącznej zainstalowanej mocy elektrycznej do 1 MW
- **PMMET** – prawa majątkowe do świadectw pochodzenia dla energii elektrycznej wyprodukowanej w kogeneracji opalanej metanem uwalnianym i ujmowanym przy dołowych robotach górniczych w czynnych, likwidowanych lub zlikwidowanych kopalniach węgla kamiennego lub gazem uzyskiwanym z przetwarzania biomasy (dla tych ostatnich planowane wprowadzenie praw majątkowych PMBG)

- **PMEC** – prawa majątkowe do świadectw pochodzenia dla energii elektrycznej wyprodukowanej w pozostałych jednostkach kogeneracyjnych.



Rys. 5.1. Energetyczny System Odniesienia dla mechanizmów promowania odnawialnych źródeł energii i wysokosprawnej kogeneracji, opracowanie własne

Na rys. 5.1 przedstawiono Energetyczny System Odniesienia dla mechanizmów promowania odnawialnych źródeł energii i wysokosprawnej kogeneracji. Obowiązkowy udział energii z OZE i kogeneracji został wyrażony za pomocą zapotrzebowania na towar w postaci praw majątkowych, które uzyskują źródła do tego uprawnione. Dopełnieniem bilansu praw majątkowych jest opłata zastępcza, którą przedstawiono w modelu za pomocą opcji importu. Opłata zastępcza jest uiszczana, jeżeli obowiązek kwotowy, obliczony na podstawie udziału procentowego, nie jest spełniony w wymaganym zakresie.

**Kategorie Zapotrzebowania (DeMand)**

- NO** – kwotowy obowiązek, energia elektryczna z OZE
- NS** – kwotowy obowiązek, energia elektryczna z wysokosprawnej kogeneracji
- NY** – kwotowy obowiązek, wysokosprawna kogeneracja gazowa lub P<1 MW
- NV** – kwotowy obowiązek, wysokosprawna kogeneracja na metan uwalniany z kopalń
- NB** – kwotowy obowiązek, wysokosprawna kogeneracja na gaz z biomasy
- ENT** – **nośniki energii (ang. energy types)**
- SPO** – świadectwa pochodzenia energii z OZE (PMOZE)

- CPB** – świadectwa pochodzenia energii z wysokosprawnej kogeneracji (PMEC)
- SPA** – świadectwa pochodzenia energii z OZE (PMOZE\_A)
- CNY** – świadectwa pochodzenia, kogeneracja na gaz ziemny i dla P<1 MW (PMGM)
- CNV** – świadectwa pochodzenia, kogeneracja na metan uwalniany z kopalń (PMMET)
- CNB** – świadectwa pochodzenia, kogeneracja na gaz z biomasy (PMBG)
- CON** – **Technologie przetwarzania energii (ang. conversion technologies)**
- E10** – el. ciepłe zawodowe – węgiel kamienny (WK) i brunatny (WB)
- E30** – el. niezależne – odnawialne źródła energii (OZE)
- E50** – el. wodne i szczytowo-pompowe zawodowe
- E60** – ec. zawodowe i niezależne
- E80** – ec. przemysłowe
- SRCENC** – **Opcje pozyskania energii (ang. source energy carrier price level)**
- IMPSPO1** – opłata zastępcza, odnawialne źródła energii
- IMPCPB1** – opłata zastępcza, wysokosprawna kogeneracja (PMEC)
- IMPCNY1** – opłata zastępcza, wysokosprawna kogeneracja (PMGM)
- IMPCNV1** – opłata zastępcza, wysokosprawna kogeneracja (PMMET)
- IMPCNB1** – opłata zastępcza, wysokosprawna kogeneracja (PMBG)

W tab. 5.1 przedstawiono obowiązkowe udziały energii elektrycznej z odnawialnych źródeł energii i wytworzonej w wysokosprawnej kogeneracji w podziale funkcjonującym na rynku praw majątkowych (RPM), w ramach Towarowej Giełdy Energii SA. Udziały te opracowano wg rozporządzeń [21, 22] dla lat 2009, 2010 i 2015. Okresy 2020–2060 charakteryzują się prognozowanym, na podstawie założeń autora, obowiązkowym udziałem poszczególnych typów źródeł. W modelu założono utrzymanie mechanizmów wsparcia w całym horyzoncie czasowym. Przyjęto, że do 2050 roku należy osiągnąć 50-procentowy udział energii elektrycznej wytworzonej w OZE w całkowitej jej sprzedaży odbiorcom końcowym. Wysokosprawna kogeneracja łącznie powinna mieć udział na poziomie 38,5% i 40,5% odpowiednio w latach 2050 i 2060.

Rodzaj świadectw pochodzenia energii	2009	2010	2015	2020	2025	2030	2035	2040	2045	2050	2055	2060
PMOZE/ PMOZE_A	8,7%	10,4%	12,9%	14,0%	20,0%	30,0%	35,0%	40,0%	45,0%	50,0%	50,0%	50,0%
PMEC	21,3%	21,3%	23,2%	25,0%	25,0%	25,0%	25,0%	25,0%	25,0%	25,0%	25,0%	25,0%
PMGM	0,0%	3,5%	3,5%	4,0%	4,5%	5,0%	5,5%	6,0%	7,0%	7,5%	8,0%	8,5%
PMMET/ PMBG	0,0%	0,9%	2,3%	3,0%	3,5%	4,0%	4,5%	5,0%	5,5%	6,0%	6,5%	7,0%

Tab. 5.1. Obowiązkowe udziały energii elektrycznej z odnawialnych źródeł energii i wytworzonej w wysokosprawnej kogeneracji wg kategoryzacji rynku praw majątkowych (RPM) na Towarowej Giełdzie Energii SA, opracowanie własne na podstawie [21, 22, 26] (Oznaczenia na podstawie [30])



Stawki opłat zastępczych wg praw majątkowych [PLN(2009)/MWh]	2009	2010	2015	2020	2025	2030	2035	2040	2045	2050	2055	2060
$O_{zi}$ (PMOZE/PMOZE_A)	240	286	447	481	517	556	598	643	692	744	800	860
$O_{ze}$ (średnia cena energii)	197	199	209	224	241	259	279	300	323	347	373	401
$O_{zk}$ (PMEC)	30	30	31	34	36	39	42	45	48	52	56	60
$O_{zg}$ (PMGM)	149	149	157	168	181	195	209	225	242	260	280	301
$O_{zm}$ (PMMET/PMBG)	59	60	63	67	72	78	84	90	97	104	112	120

Tab. 5.2. Prognoza wysokości stawek opłat zastępczych, opracowanie własne na podstawie [23, 31, 32]

W tab. 5.2 przedstawiono prognozę wysokości stawek opłat zastępczych. Dane dla 2010 roku opracowano na podstawie informacji prezesa URE [23, 31]. Prognoza obejmuje lata 2015–2060. Obecnie w ustawie Prawo energetyczne obowiązują ograniczenia wysokości opłat zastępczych w stosunku do średniej ceny sprzedaży energii elektrycznej na rynku konkurencyjnym. Dla opłaty  $O_{zg}$  (kogeneracja PMMET – na metan uwalniany z kopalni lub pochodzący z biomasy) ograniczenie to wynosi od 15% do 110% średniej ceny sprzedaży, dla opłaty  $O_{zm}$  (PMGM – kogeneracja opalana gazem ziemnym lub o mocy elektrycznej zainstalowanej poniżej 1 MW) – 30–120%, natomiast dla opłaty  $O_{zk}$  (PMEC – pozostałe źródła kogeneracyjne) – 15–40%. Ustalono, że opłaty zastępcze, w latach prognozy, będą zależne od ceny energii elektrycznej podawanej

przez użytkownika modelu, będącej średnią, prognozowaną ceną energii elektrycznej na rynku konkurencyjnym  $O_{ze}$ . Dodatkowo, na podstawie projektu ustawy [32], od roku modelowego 2015 opłata zastępcza dla OZE będzie obliczana na podstawie różnicy stawek opłat  $O_{zi}$  –  $O_{ze}$ . Opłata  $O_{zi}$  ma wynosić w 2013 roku 470 PLN(2013)/MWh i będzie podlegać corocznej waloryzacji. Procentowy stosunek opłat zastępczych do cen energii elektrycznej ustalono na podstawie informacji [23]. Oznaczenia opłat zastępczych pochodzą z ustawy [26]. Oznaczenie średniej ceny energii elektrycznej ( $O_{ze}$ ) pochodzi z projektu ustawy [32].

W tab. 5.3 przedstawiono prognozę współczynników korekcyjnych dla odnawialnych źródeł energii. Na podstawie tych współczynników określa się, ile świadectw pochodzenia energii przypada na jednostkę energii (1 MWh) wyprodukowaną w źródle

odnawialnym. Przypisano je odpowiednim technologiom w modelu. Problemem jest liniowy charakter modelu, w którym nie rozróżnia się mocy jednostek, a jedynie rodzaje technologii. Dlatego w sposób arbitralny określono, które współczynniki należy traktować jako reprezentatywne dla technologii energetycznych. Dla roku modelowego 2010 przyjęto współczynniki z 2013 roku, zaś dla roku modelowego 2015 – współczynniki z 2017 roku. Wartości z tych lat pochodzą z projektu ustawy [32]. Pozostałe współczynniki maleją liniowo w kolejnych latach modelu, w większości przypadków do wartości 1,00.

#### 6. Mechanizmy ograniczania emisji

W modelu odwzorowano dwa mechanizmy ograniczania emisji. Pierwszy z nich dotyczy opłat za użytkowanie środowiska, drugi – zakupu uprawnień do emisji. Opłaty za

Współczynniki korekcyjne	2009	2010	2015	2020	2025	2030	2035	2040	2045	2050	2055	2060
Biogaz rolniczy 0,2–0,5 MW	1,00	1,50	1,43	1,35	1,28	1,20	1,13	1,00	1,00	1,00	1,00	1,00
Biogaz rolniczy 0,5–1,0 MW	1,00	1,45	1,38	1,30	1,23	1,15	1,08	1,00	1,00	1,00	1,00	1,00
Biogaz rolniczy pow. 1,0 MW	1,00	1,40	1,33	1,25	1,18	1,10	1,03	1,00	1,00	1,00	1,00	1,00
Biogaz z oczyszczalni ścieków lub składowisk odpadów	1,00	0,75	0,68	0,60	0,53	0,50	0,50	0,50	0,50	0,50	0,50	0,50
Biomasa do 10 MW	1,00	1,70	1,60	1,50	1,40	1,30	1,20	1,00	1,00	1,00	1,00	1,00
Biomasa pow. 10 MW	1,00	1,15	1,08	1,00	1,00	1,00	1,00	1,00	1,00	1,00	1,00	1,00
Współspalanie biomasy z innymi paliwami	1,00	0,30	0,15	0,00	0,00	0,00	0,00	0,00	0,00	0,00	0,00	0,00
Energia promieniowania słonecznego	1,00	2,85	2,40	1,95	1,60	1,50	1,40	1,00	1,00	1,00	1,00	1,00
Energia z wiatru na lądzie 0,2–0,5 MW	1,00	1,20	1,13	1,05	1,00	1,00	1,00	1,00	1,00	1,00	1,00	1,00
Energia z wiatru na lądzie pow. 0,5 MW	1,00	0,90	0,83	0,75	0,68	0,60	0,60	0,60	0,60	0,60	0,60	0,60
Energia z wiatru na morzu	1,00	1,80	1,80	1,70	1,50	1,40	1,30	1,00	1,00	1,00	1,00	1,00
Hydroenergia 0,075–1 MW	1,00	1,60	1,53	1,45	1,38	1,30	1,23	1,00	1,00	1,00	1,00	1,00
Hydroenergia 5–20 MW	1,00	2,00	1,93	1,85	1,78	1,70	1,63	1,00	1,00	1,00	1,00	1,00
Hydroenergia pow. 20 MW	1,00	2,30	2,15	2,00	1,85	1,70	1,55	1,00	1,00	1,00	1,00	1,00

Tab. 5.3. Prognoza współczynników korekcyjnych dla odnawialnych źródeł energii, opracowanie własne na podstawie [32]

Opłaty za użytkowanie środowiska – ceny stałe [zł (2009)/kg]	2009	2010	2015	2020	2025	2030	2035	2040	2045	2050	2055	2060
Pył	0,2700	0,3122	0,3277	0,3440	0,3611	0,3791	0,3980	0,4178	0,4385	0,4603	0,4832	0,5073
Tlenki siarki	0,4100	0,4683	0,4916	0,5160	0,5417	0,5687	0,5969	0,6266	0,6578	0,6905	0,7249	0,7609
Tlenki azotu	0,4100	0,4683	0,4916	0,5160	0,5417	0,5687	0,5969	0,6266	0,6578	0,6905	0,7249	0,7609
Tlenek węgla	0,1100	0,1073	0,1127	0,1183	0,1241	0,1303	0,1368	0,1436	0,1507	0,1582	0,1661	0,1744
Ditlenek węgla	0,0002	0,0003	0,0003	0,0003	0,0003	0,0003	0,0003	0,0003	0,0004	0,0004	0,0004	0,0004
Pobór wód podziemnych	0,0001	0,0001	0,0001	0,0001	0,0001	0,0001	0,0002	0,0002	0,0002	0,0002	0,0002	0,0002

Tab. 6.1. Stawki opłat za użytkowanie środowiska, opracowanie własne na podstawie [3]

użytkowanie środowiska naliczane są według stawek ustalanych w Obwieszeniu ministra środowiska [3]. W modelu uwzględnia się opłaty za emisję następujących związków: dwutlenek węgla, tlenek węgla, tlenki azotu, dwutlenek siarki, pył. Pod uwagę wzięto również stawkę opłat za pobór wód podziemnych. Założono, że stawki opłat w cenach bieżących będą wzrastać o 20% w stosunku do poprzedniego 5-letniego okresu. Przy założeniu wzrostu cen detalicznych przeliczono wartości tych stawek opłat na 2009 rok i podano w cenach stałych w tab. 6.1.

Modelowanie systemu handlu uprawnieniami do emisji CO<sub>2</sub> (EU ETS) na poziomie regionalnego systemu energetycznego było przedmiotem rozprawy [6]. Uwzględniono ten mechanizm również w opracowanym modelu dla Polski, jednakże w sposób zmodyfikowany z uwagi na przewidywaną konieczność zakupu całości uprawnień emisyjnych na aukcjach [33]. Metodyka, podobnie jak w [6], polega na przypisaniu technologiom energetycznym – reprezentującym elektrownie, elektrociepłownie i ciepłownie, objęte systemem EU ETS – wskaźników ekwiwalentu emisji CO<sub>2</sub>. W modelu MARKAL zakup uprawnień reprezentowany jest jako koszt nałożony na ekwiwalent emisji. Z powodu braku alokowanych uprawnień niemożliwa jest sprzedaż uprawnień emisyjnych na rynku. Prognozę cen uprawnień do emisji przedstawiono w tab. 6.2.

### 7. Baza danych technologii energetycznych

Opracowanie bazy danych techniczno-ekonomicznych było kolejnym kluczowym

elementem modelu rozwoju systemów energetycznych. Dobranie odpowiedniego zestawu technologii wraz z ich właściwym opisem owocuje uzyskaniem wiarygodnych wyników optymalizacji.

Bazę zawierającą opis technologii przetwarzania energii opracowano na podstawie dostępnymi źródłami, tj.: baza MARKAL-MATTER wykonana przez ECN (Holandia) [24], baza MARKAL-Belgium [29], dane technologii wykorzystujących biomasę od Vattenfall AB [25], IIASA CO2DB [28], UK MARKAL [27] oraz na podstawie własnych badań autora [6]. Dane techniczno-ekonomiczne dla elektrowni jądrowych generacji III+ zaczerpnięto z pracy autora [34]. Baza danych nowych technologii jest uzupełnieniem zestawu informacji o elektrowniach istniejących, których agregaty technologiczne częściowo opierają się na parametrach pozyskanych ze źródeł wymienionych powyżej.

Istotnym mankamentem wspomnianych wyżej baz danych, wyłączając Vattenfall i IIASA CO2DB, jest brak opisu wskaźników emisji na jednostkę wyprodukowanej energii. Aby uwzględnić emisje zanieczyszczeń w energetyce, z IIASA CO2DB zaczerpnięto wskaźniki emisji na jednostkę energii wsadu. Wskaźniki te opracowano dla każdego paliwa, typu kotła (lub technologii) i instalacji oczyszczania spalin.

Dane na temat planowanych inwestycji w nowe elektrownie zarówno w lokalizacjach istniejących, jak i nowych, zaczerpnięto z „Planu rozwoju PSE Operator SA do 2025 roku” [1]. Ograniczenia ilościowe dotyczące importu i eksportu energii elektrycznej sporządzono na podstawie danych

z przeszłości, opublikowanych w statystykach ARE SA [4].

Wskaźnik jednostkowych kosztów eksploatacyjnych stałych (fixed O&M) wyrażony jest w EUR (2009)/kW/rok i oznaczony jako TCH\_FIXOM. Wskaźniki określono na podstawie danych modelu UK MARKAL, przeliczając je z funtów brytyjskich (GBP) na euro (EUR) wg kursu z dnia 1 stycznia 2009 roku. Podobnie przeliczono wskaźnik jednostkowych nakładów inwestycyjnych, wyrażony w EUR (2009)/kW i oznaczony jako TCH\_INVCOS, oraz wskaźnik jednostkowych kosztów eksploatacyjnych zmiennych (bez kosztów paliwa – variable O&M costs), wyrażony w EUR (2009)/GJ i oznaczony TCH\_VAROM.

### 8. Podsumowanie

W kolejnej części cyklu artykułów przedstawiona zostanie analiza wyników opracowanych dla dwóch wariantów zapotrzebowania na energię elektryczną – A i B. Zaprezentowane rezultaty dotyczyć będą w szczególności: inwestycji w nowe jednostki wytwórcze wraz z wymaganymi nakładami inwestycyjnymi, struktury mocy zainstalowanej elektrycznej oraz struktury produkcji energii elektrycznej.

Dalsze prace badawcze zakładają m.in. rozbudowę modelu systemu elektroenergetycznego, badanie możliwości przyłączenia źródeł wytwórczych wskazanych przez model MARKAL oraz analizę scenariuszy w zakresie mechanizmów promowania odnawialnych źródeł energii i mechanizmów ograniczania emisji CO<sub>2</sub>, SO<sub>x</sub> i NO<sub>x</sub>.

Uprawnienia do emisji – ceny stałe [zł (2009)/kg]	2009	2010	2015	2020	2025	2030	2035	2040	2045	2050	2055	2060
Uprawnienia do emisji CO <sub>2</sub>	0,0000	0,0000	0,0662	0,1738	0,1824	0,1915	0,2010	0,2110	0,2215	0,2326	0,2441	0,2563
Uprawnienia do emisji SO <sub>x</sub>	0,0000	0,0000	4,3115	4,5259	4,7511	4,9874	5,2355	5,4959	5,7693	6,0562	6,3575	6,6737
Uprawnienia do emisji NO <sub>x</sub>	0,0000	0,0000	4,3115	4,5259	4,7511	4,9874	5,2355	5,4959	5,7693	6,0562	6,3575	6,6737

Tab. 6.2. Ceny uprawnień do emisji CO<sub>2</sub>, SO<sub>x</sub> i NO<sub>x</sub> w Polsce, opracowanie własne na podstawie [33]

Lp.	Symbol	Nazwa	CEN/ DCN	BAS/ NBN/ XLM/ STG/ PEAK	ELE/ HPL/ CPD/ STG	Pierwszy rok dostępności	Okres eksploatacji	Współczynnik dyspozycyjności	Sprawność wytwarzania energii elektrycznej/ ciepła	Jednostkowe nakłady inwestycyjne	Jednostkowe koszty eksploat. stałe	Jednostkowe koszty eksploat. zmienne (bez paliwa)	Udział w pokrywaniu szczytowego zapotrzebowania	Wskaźnik skojarzenia
			-	-	-	-	a	%	%	EUR/kW	EUR/kW/a	EUR/GJ	%	GJ/GJ
1	E11	el. ciepne zawodowe na WK	CEN	BAS	CPD	2005	45	0,879	37%	863	19,7	0,23	1,00	19,06
2	E12	el. ciepne zawodowe na WB	CEN	BAS	CPD	2005	45	0,873	37%	863	19,7	0,23	1,00	36,47
3	E1A	el. ciepne zawodowe na WK – nowe (2010–2025)	CEN	BAS	ELE	2015	50	0,9	43%	981	19,2	0,35	0,90	brak
4	E1B	el. ciepne zawodowe na WB – nowe (2010–2025)	CEN	BAS	ELE	2010	50	0,9	43%	981	19,2	0,35	0,90	brak
5	E1D	IGCC CCS – WK	CEN	BAS	ELE	2020	35	0,9	40%	1365	29,3	0,00	0,90	brak
6	E1E	PF CCS – WK	CEN	BAS	ELE	2020	50	0,9	45%	1537	29,3	0,00	0,90	brak
7	E2A	el. jądrowe nowe z reaktorami PWR (2025–2030)	CEN	BAS	ELE	2025	60	0,83	35%	3529	103,1	0,56	0,90	brak
8	E2B	EJ Gen IV – GTMHR (wzbogacenie U235 19%)	CEN	BAS	ELE	2040	50	0,83	48%	3384	93,1	0,00	0,90	brak
9	E2C	EJ Gen IV – PBR Pebble bed reactor (wzbogacenie U235 9%)	CEN	BAS	ELE	2040	50	0,83	35%	3384	93,1	0,63	0,90	brak
10	E31	el. wodne przepływowe – niezależne	DCN	NBN	ELE	2005	100	0,5	34%	1636	163,6	0,00	0,51	brak
11	E33	el. wiatrowe	DCN	NBN	ELE	2005	25	0,5	40%	1483	50,8	0,00	0,43	brak
12	E34	el. biogazowe	DCN	NBN	ELE	2005	35	0,8	58%	902	7,9	0,63	0,80	brak
13	E35	el. na biomasę	DCN	NBN	ELE	2005	20	0,8	44%	1777	74,4	0,15	0,80	brak
14	E3A	farmy wiatrowe – nowe (2010–2025)	DCN	XLM	ELE	2010	25		40%	761	30,5	0,63	0,23	brak
15	E3B	el. wiatrowe – offshore	CEN	XLM	ELE	2020	25		40%	1975	39,5	0,81	0,43	brak
16	E3C	panele fotowoltaiczne PV	CEN	XLM	ELE	2015	30		40%	7135	0,0	0,85	0,00	brak
17	E3D	el. ze zgazowaniem upraw energetycznych (biomasa)	DCN	BAS	ELE	2015	20	0,83	44%	1777	74,4	0,11	0,90	brak
18	E3E	układ gazowo-parowy GTCC ze zgazowaniem biomasy	DCN	BAS	ELE	2020	35	0,83	58%	902	7,9	0,44	0,90	brak
19	E3F	układ gazowo-parowy CCGT ze zgazowaniem biomasy z sekwestracją CO <sub>2</sub> (po 2030 roku)	CEN	BAS	ELE	2030	35	0,83	34%	2555	111,7	0,00	0,90	brak
20	E3G	el. ze zgazowaniem upraw energetycznych (biomasa) – nowsza	DCN	BAS	ELE	2020	20	0,83	47%	2362	69,9	0,00	0,90	brak
21	E3H	silnik gazowy na biogaz	DCN	BAS	ELE	2015	20	0,57	27%	1105	16,9	0,15	0,90	brak
22	E3J	układ z turbiną parową opalany odpadami komunalnymi	CEN	BAS	ELE	2015	30	0,52	28%	1253	0,0	0,63	1,00	brak
23	E4A	źródła gazowe interwencyjne (2015–2025)	CEN	PEAK	ELE	2015	35		55%	451	7,9	0,81	0,90	brak
24	E4B	el. ciepne zawodowe na GZ – nowe (2010–2025)	CEN	BAS	ELE	2015	35	0,83	55%	451	7,9	0,63	0,90	brak
25	E4C	układ gazowo-parowy GTCC z CCS	DCN	BAS	ELE	2020	35	0,83	47%	778	13,6	23,69	0,90	brak
26	E4E	ogniwa paliwowe na gaz ziemny	DCN	NBN	ELE	2020	25	0,5	40%	1879	0,0	0,00	0,90	brak
27	E52	el. wodne zawodowe pozostałe (z dopływ naturalnego)	CEN	NBN	ELE	2005	80	0,5	40%	1636	163,6	0,00	1,00	brak
28	E53	elektrownie szczytowo-pompowe	CEN	STG	STG	2005	80	0,5	67%	1821	1,5	0,76	1,00	brak
29	E55	el. z członem pompowym	CEN	NBN	ELE	2005	80	0,5	40%	1636	163,6	0,00	1,00	brak

Lp.	Symbol	Nazwa	CEN/ DCN	BAS/ NBN/ XLM/ STG/ PEAK	ELE/ HPL/ CPD/ STG	Pierwszy rok dostępności	Okres eksploatacji	Współ- czynnik dyspozy- cyjności	Sprawność wytwa- rzania energii elek- trycznej/ ciepła	Jedno- stkowe nakłady inwesty- cyjne	Jedno- stkowe koszty eksploat. stałe	Jedno- stkowe koszty eksploat. zmienne (bez paliwa)	Udział w pokry- waniu szczy- towego zapotrze- bowania	Wskaźnik skojarzenia
			-	-	-	-	a	%	%	EUR/ kW	EUR/ kW/a	EUR/ GJ	%	GJ/GJ
30	E64	elektrociepłownie zawodowe – EC1	CEN	NBN	CPD	2005	50	0,95	29%	882	14,7	0,81	0,85	0,59
31	E65	elektrociepłownie zawodowe – EC2	CEN	NBN	CPD	2005	45	0,95	33%	882	14,7	0,81	0,85	0,93
32	E66	elektrociepłownie zawodowe – EC3	CEN	NBN	CPD	2005	45	0,95	23%	882	14,7	0,81	0,85	0,48
33	E67	elektrociepłownie zawodowe – EC4	CEN	NBN	CPD	2005	50	0,95	18%	882	14,7	0,81	0,85	0,30
34	E68	elektrociepłownie niezależne – ECN	CEN	NBN	CPD	2005	40	0,95	15%	882	14,7	0,81	0,85	0,31
35	E6A	elektrociepłownie zawodowe na WK – nowe (2010–2025)	DCN	NBN	CPD	2015	20	0,44	11%	882	14,7	0,35	0,50	0,20
36	E6B	elektrociepłownie zawodowe na GZ – nowe (2010–2025)	DCN	NBN	CPD	2015	20	0,67	27%	756	0,5	0,35	0,50	0,51
37	E6C	elektrociepłownie zawodowe na BIO – nowe (2010–2025)	DCN	NBN	CPD	2015	20	0,55	16%	3384	56,4	0,63	0,50	0,27
38	E6D	EC biogaz (nowa)	DCN	NBN	CPD	2015	20	0,46	35%	1128	0,5	0,00	0,50	0,90
39	E6E	EC ogniwa paliwowe (gaz ziemny)	DCN	NBN	CPD	2020	20	0,9	49%	972	0,0	0,53	0,90	2,46
40	E6F	CHP mikroturbina gazowa (<120 kW)	DCN	NBN	CPD	2015	20	0,7	33%	2792	0,0	0,15	0,50	0,70
41	E81	elektrociepłownie przemysłowe na WK	DCN	NBN	CPD	2005	40	0,95	14%	882	14,7	0,81	0,85	0,20
42	E82	elektrociepłownie przemysłowe na GZ	DCN	NBN	CPD	2005	40	0,95	6%	756	0,5	1,09	0,85	0,18
43	E83	elektrociepłownie przemysłowe na biomasę i biogaz	DCN	NBN	CPD	2005	40	0,95	14%	1128	0,5	1,74	0,85	0,19
44	E84	elektrociepłownie przemysłowe na inne paliwa	DCN	NBN	CPD	2005	40	0,95	14%	883	14,7	0,81	0,85	0,21
45	H10	ciepłownie zawodowe	CEN	brak	HPL	2005	20	0,9	80%	100	7	0,00	1,00	brak
46	H20	ciepłownie niezawodowe	DCN	brak	HPL	2005	20	0,9	78%	130	2,6	0,00	1,00	brak
47	H31	przemysł	DCN	brak	HPL	2005	20	0,9	80%	130	2,6	0,00	1,00	brak
48	H32	usługi	DCN	brak	HPL	2005	20	0,9	80%	130	2,6	0,00	1,00	brak
49	H33	gospodarstwa domowe	DCN	brak	HPL	2005	20	0,9	80%	130	2,6	0,00	1,00	brak
50	H34	rolnictwo	DCN	brak	HPL	2005	20	0,9	80%	130	2,6	0,00	1,00	brak
51	H40	indywidualne – dla dopelnienia bilansu ciepła	DCN	brak	HPL	2005	15	0,9	80%	130	2,6	0,00	1,00	brak
52	H1A	ciepłownia na gaz ziemny	CEN	brak	HPL	2010	20	0,69	64%	756	2,9	0,00	0,50	brak
53	H1B	ciepłownia geotermalna	CEN	brak	HPL	2020	40	0,64	70%	2387	48,5	0,70	0,63	brak
54	H1C	ciepłownia na kolektory słoneczne	CEN	brak	HPL	2015	20	0,083	25%	620	6,3	1,74	0,00	brak
55	H1D	ciepłownia na biomasę	CEN	brak	HPL	2010	20	0,5	75%	902	18,0	5,89	1,00	brak

Tab. 7.1. Dane techniczno-ekonomiczne technologii energetycznych w modelu MARKAL, opracowanie własne na podstawie [24, 25, 27, 29]

CEN – scentralizowane, DCN – zdecentralizowane, BAS – pracujące w podstawie obciążenia, NBN – niepracujące w podstawie obciążenia, niezależne od czynników pogodowych, XLM – zależne od czynników pogodowych, STG – zbiornikowe, PEAK – szczytowe, ELE – elektrownie, HPL – ciepłowne, CPD – elektrociepłowne lub elektrownie przystosowane do oddawania ciepła.

### Bibliografia

- Plan rozwoju PSE Operator SA do 2025 roku, PSE Operator SA, Konstancin-Jeziorna 2010.
- Zapotrzebowanie mocy w KSE, PSE Operator SA [online], Konstancin-Jeziorna 2012, <http://www.pse-operator.pl/index.php?dzid=77>.
- Obwieszczenie ministra środowiska z dnia 4 października 2010 roku w sprawie wysokości stawek opłat za korzystanie ze środowiska na rok 2011, *Monitor Polski* 2010, nr 74, poz. 945.
- Statystyka Elektroenergetyki Polskiej 2001–2009, Agencja Rynku Energii (ARE) SA, Warszawa 2002–2010.
- Statystyka Ciepłownictwa Polskiego 2007–2009, Agencja Rynku Energii (ARE) SA, Warszawa 2008–2010.
- Jaskólski M., Modelowanie rozwoju regionalnych systemów energetycznych ze szczególnym uwzględnieniem bioenergii, rozprawa doktorska, Politechnika Gdańska, Gdańsk 2006.
- Jaskólski M., Bućko P., Modelowanie rozwoju systemów energetycznych z uwzględnieniem mechanizmów promowania odnawialnych źródeł energii, *Archiwum Energetyki* 2007, tom XXXVII, Numer specjalny: XII Międzynarodowa Konferencja Naukowa „Aktualne problemy w elektroenergetyce APE 07”, Polska Akademia Nauk, Komitet Problemów Energetyki, Gdańsk 2007.
- Jaskólski M., Bućko P., Odzworowanie mechanizmów promowania odnawialnych źródeł energii w modelach rozwoju systemów energetycznych, *Rynek Energii*, kwiecień 2007, nr 2(69), s. 41–47, Kaprint. Lublin 2007.
- Obwieszczenie ministra gospodarki z dnia 12 grudnia 2007 roku w sprawie raportu oceniającego postęp osiągnięty w zwiększaniu udziału energii elektrycznej wytwarzanej w wysokosprawnej kogeneracji w całkowitej krajowej produkcji energii elektrycznej, *Monitor Polski* 2008, nr 1, poz. 11 i 12.
- Prognoza ludności na lata 2008–2035, Główny Urząd Statystyczny, Studia i Analizy Statystyczne, Warszawa 2009.
- Prognoza gospodarstw domowych na lata 2008–2035, Główny Urząd Statystyczny, Studia i Analizy Statystyczne, Warszawa 2009.
- Stan i prognoza koniunktury gospodarczej nr 71, Instytut Badań nad Gospodarką Rynkową, sierpień 2011.
- Polska – wskaźniki makroekonomiczne (PKD 2007), Główny Urząd Statystyczny [online], Warszawa, 14 września 2011, [www.stat.gov.pl](http://www.stat.gov.pl).
- Budownictwo mieszkaniowe 1991–2011, Główny Urząd Statystyczny [online], Warszawa, 16 września 2011, [www.stat.gov.pl](http://www.stat.gov.pl).
- Gospodarka mieszkaniowa w 2009 roku, Główny Urząd Statystyczny [online], Warszawa 16 listopada 2010, [www.stat.gov.pl](http://www.stat.gov.pl).
- Infrastruktura komunalna w 2009 roku, Główny Urząd Statystyczny [online], Warszawa, 15 listopada 2010, [www.stat.gov.pl](http://www.stat.gov.pl).
- Strategia Rozwoju Kraju 2007–2015, Ministerstwo Rozwoju Regionalnego, Warszawa, listopad 2006.
- Polityka energetyczna Polski do 2030 roku, Ministerstwo Gospodarki, Warszawa 2009.
- World Energy Outlook 2009, OECD/IAE 2009.
- World Energy Outlook 2010, OECD/IAE 2010.
- Rozporządzenie Ministra Gospodarki z dnia 26 lipca 2011 roku w sprawie sposobu obliczania danych podanych we wniosku o wydanie świadectwa pochodzenia z kogeneracji oraz szczegółowego obowiązku uzyskania i przedstawienia do umorzenia tych świadectw, uiszczania opłaty zastępczej i obowiązku potwierdzania danych dotyczących ilości energii elektrycznej wytworzonej w wysokosprawnej kogeneracji, Dz. U. 2011, nr 176, poz. 1052.
- Rozporządzenie Ministra Gospodarki z dnia 14 sierpnia 2008 roku w sprawie szczegółowego zakresu obowiązków uzyskania i przedstawienia do umorzenia świadectw pochodzenia, uiszczania opłaty zastępczej, zakupu energii elektrycznej i ciepła wytworzonych w odnawialnych źródłach energii oraz obowiązku potwierdzania danych dotyczących ilości energii elektrycznej wytworzonej w odnawialnym źródle energii, Dz. U. 2008, nr 156, poz. 969.
- Informacja Prezesa Urzędu Regulacji Energetyki nr 15/2012 w sprawie jednostkowych opłat zastępczych dla kogeneracji obowiązujących w 2013 roku.
- ETSAP, Energy Technology Systems Analysis Programme, MARKAL MATTER Model Database 4.2. Input Data Technologies and Processes [online], Torino 2005, <http://www.etsap.org/markal/matter/data/main.html>.
- Münter M., Hinderson A., Sustainable Energy in Poland – Vattenfall In-Kind Contribution (I), Vattenfall Utveckling AB. Stockholm, Sweden 2003.
- Prawo energetyczne, ustawa z dnia 10 kwietnia 1997.
- UK MARKAL Model v3.24: Documentation [online], [http://www.ukerc.ac.uk/support/tiki-index.php?page=ES\\_MARKAL\\_Documentation\\_2010](http://www.ukerc.ac.uk/support/tiki-index.php?page=ES_MARKAL_Documentation_2010).
- Strubegger M. i in., CO2DB Manual Version 2.0. IASA, Laxenburg, Austria 1999.
- CES KUL, CES KULeuven – VITO, Federal Office for Scientific, Technical and Cultural Affairs, The Belgian Markal Database, Brussels 2001.
- Regulamin rejestru świadectw pochodzenia prowadzonego przez Towarową Giełdę Energii SA, Tekst jednolity zatwierdzony uchwałą zarządu nr 142/28/11 z dnia 18 lipca 2011 roku, wszedł w życie 1 sierpnia 2011.
- Prezes Urzędu Regulacji Energetyki, Informacja 2/2012 w sprawie jednostkowej opłaty zastępczej, jaką należy stosować w celu obliczenia opłaty zastępczej przy realizacji obowiązku, o którym mowa w art. 9a ust. 1 i 2 ustawy Prawo energetyczne za 2012 rok, Warszawa, 8 lutego 2012.
- Ustawa o odnawialnych źródłach energii – projekt z dnia 20 grudnia 2011 roku, Ministerstwo Gospodarki, Departament Energetyki, Warszawa 2011.
- Milek M., Problemy z pakietem klimatyczno-energetycznym, Krajowa Izba Gospodarcza, Izba Gospodarcza Energetyki i Ochrony Środowiska, Warszawa 2012.
- Jaskólski M., Analiza kosztów wytwarzania energii elektrycznej w elektrowni jądrowej, XV Międzynarodowa Konferencja „Aktualne Problemy w Elektroenergetyce APE 11”, Jurata 2011, Materiały konferencyjne, Gdańsk 2011.
- (PEP2030, 2011) Agencja Rynku Energii SA, Aktualizacja prognozy zapotrzebowania na paliwa i energię do roku 2030, Warszawa, wrzesień 2011.
- Dąsal K., Popławski T., Rusek K., Ocena długoterminowych prognoz zużycia energii i mocy szczytowych w systemach elektroenergetycznych, *Polityka Energetyczna* 2011, tom 14, zeszyt 2.
- (RAPORT2050) Ocena skutków ustanowienia celów głębokiej redukcji emisji gazów cieplarnianych w UE do roku 2050, ze szczególnym uwzględnieniem skutków dekarbonizacji produkcji energii elektrycznej dla Polski – SYNTEZA, Badania Systemowe EnergSys Sp. z o.o. na zlecenie Polskiego Komitetu Energii Elektrycznej, wersja z 14 czerwca 2010, Warszawa, czerwiec 2010.

### Marcin Jaskólski

dr inż.

Politechnika Gdańska

e-mail: [mjask@ely.pg.gda.pl](mailto:mjask@ely.pg.gda.pl)

Pracuje w Katedrze Elektroenergetyki Politechniki Gdańskiej. Obszar jego zainteresowań, oprócz zintegrowanego modelowania rozwoju systemów energetycznych, obejmują wykorzystanie odnawialnych zasobów energii i energetykę jądrową.

