



ELSEVIER

Available online at www.sciencedirect.com

ScienceDirect

journal homepage: www.elsevier.com/locate/he

Comparative study of a combined heat and power plant retrofitted by CO₂ capture during the combustion of syngas from sewage sludge gasification versus zero-emission combustion of hydrogen produced using renewables

Kacper Bąk, Paweł Ziółkowski*, Jacek Frost, Marta Drosińska-Komor

Gdańsk University of Technology, Faculty of Mechanical Engineering and Ship Technology, Poland

HIGHLIGHTS

- Examples of possibilities to reduce CO₂ production in industry by hydrogen burn.
- Modernization of an existing Polish heat and power unit to capture CO₂.
- Cooperation of the Combined Heat and Power plant with RES producing hydrogen.
- Validation of calculations in the numerical commercial program and in-house EcoPG.

ARTICLE INFO

Article history:

Received 1 April 2023

Received in revised form

17 June 2023

Accepted 28 July 2023

Available online 22 August 2023

Keywords:

CO₂ capture

Combined cycle gas turbine

Alternative fuels

Hydrogen production and combustion

Numerical modelling

ABSTRACT

With ecological requirements aimed at limiting the production of CO₂, it is necessary to produce all, or most of the energy from RES. During the transformation process, ecological and highly efficient combustion power plants will be needed. The classic cycle of combined heat and power (CCGT) with green improvements will continue to be one of the most suitable technologies for this task. This article presents the modernization of the CCGT power plant in Zielona Góra in terms of possible solutions to reduce CO₂ emissions and cooperation with RES producing hydrogen. Two variants of retrofit were considered: CO₂ capture following the combustion of syngas obtained from gasification of sewage sludge, and emission-free hydrogen combustion in a gas turbine. Calculations were made using numerical modelling and the obtained results were validated. Avoided CO₂ emissions for both solutions are shown. The proposed upgrades were compared with the basic variant and other gaseous fuels.

© 2023 The Author(s). Published by Elsevier Ltd on behalf of Hydrogen Energy Publications LLC. This is an open access article under the CC BY-NC-ND license (<http://creativecommons.org/licenses/by-nc-nd/4.0/>).

* Corresponding author.

E-mail address: pawel.ziolkowski1@pg.edu.pl (P. Ziółkowski).

<https://doi.org/10.1016/j.ijhydene.2023.07.322>

0360-3199/© 2023 The Author(s). Published by Elsevier Ltd on behalf of Hydrogen Energy Publications LLC. This is an open access article under the CC BY-NC-ND license (<http://creativecommons.org/licenses/by-nc-nd/4.0/>).

Nomenclature			
A	Anode	N_{el1}	Gas turbine gross electric power output [MW]
AB	Absorber	N_{el2}	Steam turbine gross electric power output [MW]
B	Steam bleed from ST for MEA regeneration	OC	Outside heat Consumers
BAT	Best Available Technology	P	Pump
C	Compressor	p	Pressure [bar]
C_{CO_2}	Compressor for compressing CO ₂ for storage or transport	PEP2040	Poland's Energy Policy 2040
C_{fuel}	Fuel compressor	PEHA	Pentaethylenehexamine
CC	Combustion chamber	SH	Superheater
CCGT	Combined Cycle Gas Turbine	SHHP I, II	High-pressure section consists of two steam superheaters
CCS	Carbon Capture and Storage	ST	Steam Turbine
CHP	Combined Heat and Power	\dot{Q}_{HC}	Net heating capacity output [MW]
COL	Cooler	q_{el,CO_2}	Electric power demand to the system [MJ/kg _{CO₂}]
DC/AC	Direct current/alternating current	q_{H,CO_2}	Heat demand to reboiler [MJ/kg _{CO₂}]
DE	Desorber	RES	Renewable Energy Sources
DH	Distric heat	SHLP	Low-pressure section includes a superheater
ECO	Economizer	SMR	Steam Methane Reformation
EL	Electrolite	t	Temperature [°C]
EVAP	Evaporator	TR	Transmission
F	Filter	WINJ	Water injection
FG	Flue Gases	δ_{tHP}	Evaporator high pressure pinch point [°C]
G	Power generator	δ_{tLP}	Evaporator low pressure pinch point [°C]
GT	Gas Turbine	$\eta_{CHP,gross}$	Combined Heat and Power plant gross efficiency [%]
HC	Heat consumers	$\eta_{CHP,net}$	Combined Heat and Power plant net efficiency [%]
HE	Heat exchanger	$\eta_{el,gross}$	Gross electrical efficiency [%]
HP	High pressure	$\eta_{el,net}$	Net electric efficiency [%]
HRSRG	Heat recovery steam generator	$\eta_{el,TG}$	Electrical efficiency of the gas cycle [%]
K	Catode	Π	Compressor pressure ratio
LHV	Lower Heating Value, [MJ/kg]	Δp_A	Flue gas pressure drop in absorber column $\left[Pa / \left(\frac{kg_{CO_2,fg}}{s} \right) \right]$
LP	Low pressure	Δp_R	Pressure drop in reboiler [bar]
\dot{m}	Mass flow [kg/s]		
MEA	Mono-ethanol Amine		

1. Introduction

Currently, a significant increase in demand for electricity can be observed in the world [1,2], which results, among others, from economic development [3]. Thus, power plants must operate with higher efficiencies to reduce fuel consumption [4–6]. Nevertheless, this economic development also generates some disadvantages in the form of the production of greenhouse gases, e.g. NO_x, SO_x, and CO₂ [7–10], and other substances generated during the combustion of coal [11,12] including hard and brown coal in conventional power plants [11,13,14]. All of the stated above leads to global climate change, an example of which is global warming. The solution to this problem might be to focus more on renewable energy sources [15], which is dictated by the rise of public awareness on environment protection, carbon footprint reduction [8,16], and political restrictions through the Best Available Technology (BAT) reference documents applied in the EU countries. The largest problem seems to be CO₂ emissions from burning fossil fuels, constantly growing at the scale of the whole world [17,18]. In 2017 it was emitted 32.5 gigatons of global CO₂

emissions related to energy production [19]. It is impeding the progress to lower the temperature worldwide at a safe level; according to the Paris Agreement [20–22] it is a limit of temperature return below 2 °C, and ideally 1.5 °C [23,24]. Since the implementation of the Paris Agreement in 2015, it has been the basis in the fight against the climate crisis [25,26]. This is where carbon capture and storage (CCS) technologies emerge as possible solutions to this problem.

According to Poland's Energy Policy 2040 (PEP2040) [27] and the current state of the Polish energy sector, it is impossible to switch to renewables and cut off conventional power plants almost immediately, as it will endanger energy safety. A lot of other countries are in a similar situation. One of the reasonable solutions in the transition process seems to be highly efficient and low-emissive combined cycle gas turbine (CCGT) plants, developed as combined heat and power (CHP) facilities, with the use of CCS technologies. Such technologies seem to be more attractive than in recent years because of the significant increase of CO₂ emission allowance prices, which recently achieved around 100 €/tCO₂.

CCGT is a favourable technology for the transition process into renewables also because of its higher flexibility [28] and

efficiency over coal-fired power plants (63% electrical efficiency with development possibilities [29] compared to a potential maximum of around 50% for supercritical technology [30]). What is more, it is a constantly developing technology resulting from the progress of material engineering, allowing the achievement of higher turbine inlet temperatures, thus higher efficiencies. The recent state of CCGT technology has been widely shown in Refs. [31,32]. The advantage of these plants also results from a variety of gas turbines (GT) and the CCGT concepts, which are still being developed e.g. CCGT cycles integrated with coal gasification [33], GT with heat regeneration [34] or steam injection to the combustion chamber (CC) [35]. In addition, CCGT systems can be integrated with energy storage to reduce energy supply interruptions into the electrical grid resulting from temporary changes in RES power output [36].

CCS technology has been used in the industry for around 80 years now, but not in the power industry. The trend seems to change as further developments of different CO₂ removal methods result in achieving economic competitiveness. This can be seen when looking at the numbers of current CCS projects, which doubled in the recent year [37]. There are several different approaches to CCS [38]: pre-combustion carbon capture [39], post-combustion carbon capture [40] and oxy-combustion CO₂ capture [9,41,42].

Chemical absorption capture processes are told to have the highest technical maturity and implementation potential. However, other methods such as physical/chemical adsorption, membrane separation, chemical looping or cryogenics are a part of the research as well [9,43]. It is necessary to mention, that CCS installations are easier to implement in coal-fired power plants where the flue gases mass flow is significantly smaller than for gas-fired power plants, and the CO₂ concentration is higher. In Ref. [44] Wu, Chen et al. presented the possibility of retrofitting a 600 MW coal-fired power plant where three different solid sorbents were used to capture CO₂, namely the solid amine Pentaethylenehexamine (PEHA), Na₂CO₃ and K₂CO₃. As a result of their research, it turns out that the solid amine sorbent (PEHA) is the best sorbent because twofold: 1) there is the smallest decrease in efficiency and 2) it is also competitive in terms of energy consumption.

There have been several types of researches done, proving the possibilities of using chemical absorption based on amines [43,45], physical adsorption using zeolites [46] or membrane separation [47] for CCGT power plants, achieving over 90% of capture efficiency. Chemical absorption separation using mono-ethanol amine (MEA) (Fig. 1 a) has been chosen for this paper, as the best examined option currently [48,49]. On the other hand, significant attention should be paid to membrane separation technology, as the membrane materials development could potentially make this method more competitive.

However, gas technologies are currently during a crisis caused by the unstable situation on the gas market. It can be seen when comparing recent energy production from gas-fired plants to previous years [50]. This results in increased research on alternative fuels for gas turbines, such as hydrogen [51] or syngas. Both of these fuels also seem to fit in the idea of energy safety and low-emission energy

transformation, with grid stabilization after this process. Syngas produced from sewage sludge could help with utilizing this problematic waste to use it as a fuel in CCGT plants equipped with CCS installation, which might be a promising alternative to methane. Such power plant concepts are called negative CO₂ emission power plants as it was shown in Ref. [24] because syngas from sewage sludge is sometimes considered as a renewable source of energy. Hydrogen, however, is a prospective fuel in terms of energy storage, as using power cells to convert the electricity produced by renewables during peak hours into hydrogen [52], and then burn it as a fuel in CCGT CHP plants seems to be one of the best future energy scenarios [53]. The schematic production of hydrogen in the electrolyser is shown in Fig. 1b.

Among the variety of power cells, alkaline and polymeric ones are the most promising, where polymeric power cells have the advantage of good flexibility at quickly changing power loads [30]. There are numerous researches done on burning hydrogen in GT, as there are plenty of problems associated with burning pure hydrogen such as its explosiveness and high lower heating value (LHV) which prevent this technology to be used today. Research should be continued due to the need to reduce CO₂ emissions, and this can be achieved by burning syngas with a higher proportion of hydrogen. Scientists emphasize the possibility of co-burning hydrogen with other fuels such as biogas [9] or syngas. Such a mixture, thanks to the use of hydrogen, has better combustion properties than biogas itself, higher calorific value, low ignition delay, high flame speed, high energy density, and lower CO₂ emissions [35]. Currently, the maximum volumetric content of hydrogen in a gaseous fuel mixture which the combustion process could be controlled is about 70–95% for co-combustion with syngas [30,54]. An example is the GE 9F Syngas turbine, which achieves 40% efficiency in a simple cycle, and 57.4% in a combined cycle [54]. However, some companies and utilities carry on the research of burning 100% hydrogen in GT [30]. As a result of the combustion of fuels with an increased hydrogen content, it is necessary to develop new designs of GT blade systems in terms of both high-temperature strength and cooling systems for the first stage blades.

This paper's goal is to analyse the potential of retrofitting an existing CCGT CHP with syngas combustion coupled with CCS amine-based installation, and its influence on the energy and environmental performance of the plant. The CO₂ separation reactor has been simply modelled as well as the CO₂ compression unit. Due to the demand for low-temperature of flue gases, heat recovery for municipal heating has been considered, as well as heat recovery of the water returning from the reboiler. The results are compared to the case of zero-emissive combustion of pure hydrogen, as well as the co-combustion with CCS installation. Both cases are then compared to other, conventional gaseous fuels such as methane and the base case nitrogen-rich natural gas. The models were prepared and calculations were made using commercial and in-house numerical softwares. In addition, the topics covered in this scientific work fit into the future process of water electrolysis to generate hydrogen using renewable energy sources. RES will be treated as a source of energy for the entire process. The hydrogen obtained in this way in case of

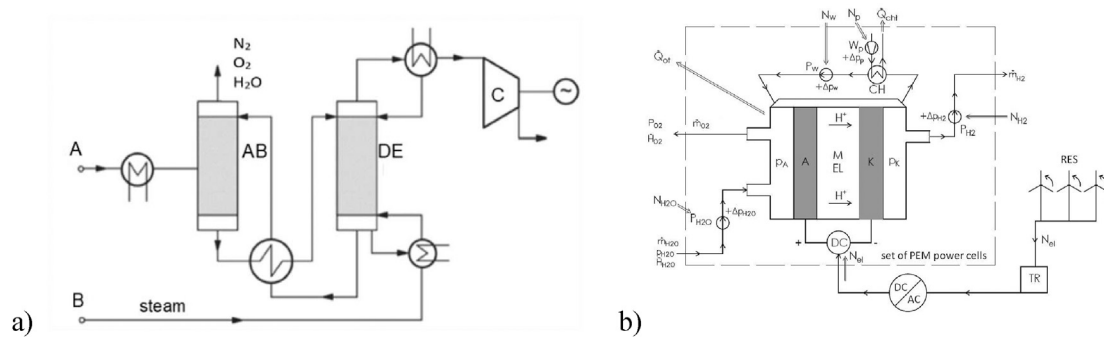


Fig. 1 – Schematic diagram of retrofits: a) CO₂ sequestration by the amine method using MEA; AB – absorber, DE – desorber, point A – flue gas inflow for sequestration, point B – steam bleed from ST for MEA regeneration, C – compressor for compressing CO₂ for storage or transport [32]; b) hydrogen generation from RES to stabilise the energy system: A – anode, K – cathode, EL – electrolyte, TR – transmission, DC/AC – direct current/alternating current, RES – renewable energy source.

RES overgeneration will act as a energy storage (chemical fuel) used in periods of energy demand on the market.

2. Framework for the process simulations

In the next sections (2.1 and 2.2), the reference cycle for which the retrofit was made will be presented, as well as validation for it to check the correctness of the calculations, respectively.

2.1. Reference plant

The considerations on the performance of a CCGT CHP plant retrofitted with a CCS installation and hydrogen combustion were made basing on an existing heat and power plant in Zielona Góra, Poland (Fig. 2). The F9E PG9171 gas turbine manufactured by General Electric was installed here. The combined heat and power plant has 190 MW of net electrical power

output and 95 MW of heat output [55], however, the calculations were conducted for ISO conditions and around 34 MW of heat output as presented in Ref. [56]. All the reference data of modelled CHP were based on three sources, namely: 1) the measurements and calculations presented at the heat and power plant's website [55], 2) an article [56] where a mathematical model of this CHP was made, and 3) the district heating part of the model was based on data presented in the research report on the steam turbine used at this plant [57].

The thermodynamic cycle of the examined CHP is presented in Fig. 2. The gas cycle consists of a gas expander (GT) coupled with an air compressor (C), an air filter at compressor inlet (F), compressed air extraction for first-stage GT blades cooling, combustion chamber (CC) and electrical power generator (G). Fuel compressor (C_{fuel}) is added for the purpose of comparing electrical power input for different gaseous fuels. The heat recovery steam generator (HRSG) consists of two steam pressure levels. The high-pressure

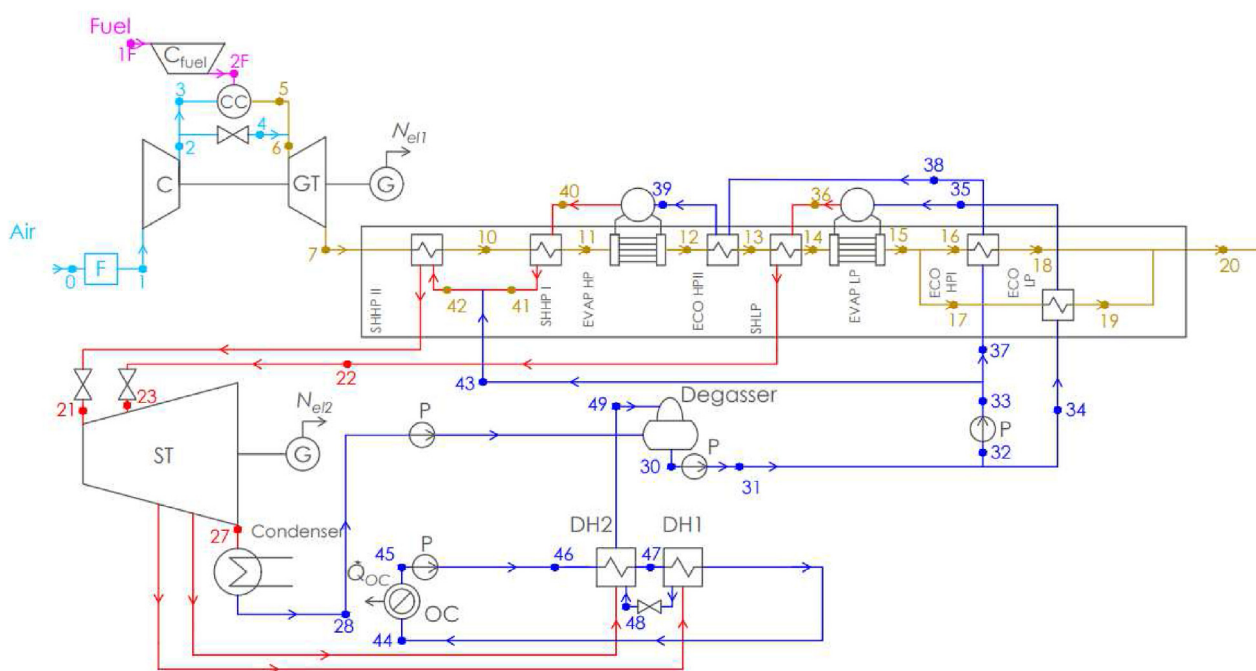


Fig. 2 – Reference cycle modelled in EBSILON®Professional [58] and EcoPG [59].

section consists of two steam superheaters (SHHP I, II), an evaporator (EVAP HP), two economizers (ECO HPI, II), and water injection for control purposes (point 43). The low-pressure section includes a superheater (SHLP), an evaporator (EVAP LP), and an economizer (ECO LP). Steam turbine (ST) is powered with steam at two different pressures. Steam extraction for heating purposes is also made at two levels of pressure, respectively to DH1 and DH2 heat exchangers, heating up the water for outside heat consumers (OC) at temperatures $t_{44} = 58$ and $t_{45} = 78$ °C, for heating water return and supply, respectively. Condensed water then flows to the degasser. ST was modelled using four separate components to include different internal efficiencies, resulting from steam extraction and LP steam injection losses. The condensed water is pumped using pumps (P). Important technical data of the reference CHP, which was used for model validation in EBSILON®Professional and in-house code EcoPG, is shown in Table 1.

2.2. Model validation

At present, when we want to make modifications in the tested facilities as in this case, the gas and steam system installed in the Polish CHP plant located in Zielona Góra needs to be used for the EBSILON®Professional and the in-house code EcoPG validation. These modifications concern the gas part of the facility. Validation is carried out using advanced computational methods. This work uses the EBSILON®Professional software and the EcoPG program. Both codes are based on momentum and energy mass balances and allow the modelling CCGT cycles.

The data used for validation in the EBSILON®Professional and EcoPG programs are included in Table 1, and the validated

cycle diagram is shown at Fig. 2. For the purpose of verifying the correctness of the calculation model, the most important available reference values from the literature were selected (as described in section 2.1), and the relative error of the calculated values was calculated as the criterion for the correctness and accuracy of the model. The results are presented in Table 2. A satisfactory accuracy of the results was obtained, with minimal mass flow rate of steam LP and flue gas temperature at the HRSG outlet. This is due to the assumption of the pinch point at the level of 10 K, because it was not possible to determine the literature value, which also affects the level of cooling of the flue gas at the HRSG outlet. Based on these results, it can be concluded that the presented models were made correctly and can be used for further thermodynamic calculations.

2.3. Amine-based absorption process and modelling

Cycle retrofits after adding CCS installation and fuel preparation station are presented in Fig. 3. A schematic diagram of the considered amine-based absorption system is shown in Fig. 4. It was based on the model presented and calculated in the articles: first Mostafavi E. et al., second Amrollahi Z. et al. [45,60]. An optimized model with absorber intercooling and lean vapor recompression stripping has been chosen, as the most promising modification resulting in significant save of power demand for CCS system, with a relatively small cost increase [60]. 30% MEA – water solution has been chosen as the working fluid. The CSS model has been adopted as a single component consisting of inputs and outputs, regarding power inputs and fluid flows characterized at nodal points (8, 9, 25, 26, 29 in Figs. 3 and 4) adopted from the work of Amrollahi Z. et al. [45]. Processes that happen inside the model borders are modelled through performance inputs from the literature [45,60] (two items already mentioned in this subchapter). Main input parameters to the CSS installation are shown in Table 3 and correspond to all fuel cases.

The principle of work of the CCS system is as follows. The flue gas (nodal point 8 in Fig. 4) flowing at atmospheric pressure is cooled to 40 °C and blown with a fan to the absorber to overcome the pressure drop. In reality, it is the same fan as in Fig. 3, but here it was divided to cover pressure losses in the absorber independently. In the absorber column flue gas contacts the MEA (Figs. 1 and 4) solvent flowing counter-currently and reacts with it following the reaction in Eq. (1).



The reaction is exothermic so absorber intercooling is used to sustain the higher driving force of the absorption process and capacity of the solvent. The rich amine mass flow rate (loaded with CO₂) leaves the absorber, is preheated in the heat exchanger (HX) and enters the stripper column. Meanwhile flue gas without CO₂ leaves the absorber to the scrubber, where some of the liquid water is recycled to the absorber, and the rest heads to the atmosphere (nodal point 9). The rich solution is heated in the stripper using the heat supplied to reboiler (R) (points 25, 26), and CO₂ is stripped out of the solution, following the reaction opposite to Eq. (1), leaving at the top of the column (point 29). The lean solution leaving the stripper decreases its pressure through

Table 1 – Technical data of the reference CCGT plant assumed for model validation.

Parameter	Symbol	Value	Unit
GT model	–	F9E PG9171	–
GT gross electric power output	N_{el1}	126.1	MW
Flue gas flow	\dot{m}_7	418	kg/s
Compressor pressure ratio	Π	12.6	–
GT inlet temperature	t_6	1100	°C
GT exhaust temperature	t_7	543	°C
ST model	–	7CK-65	–
ST gross electric power output (with considered heat extraction)	N_{el2}	57.7	MW
HP turbine inlet temperature	t_{21}	505	°C
HP turbine inlet pressure	p_{21}	72	bar
EVAP HP pinch point	δ_{tHP}	8	°C
LP turbine inlet temperature	t_{23}	217.9	°C
LP turbine inlet pressure	p_{23}	6.62	bar
EVAP LP pinch point	δ_{tLP}	10	°C
Condenser pressure	p_{27}	0.051	bar
Mass flow of water injection to HP steam	\dot{m}_{43}	1.3	kg/s
Gross combined el. power output	$N_{el1} + N_{el2}$	183.8	MW
Net electric power output	$N_{el,net}$	177.8	MW
Net electric efficiency	$\eta_{el,net}$	47	%
Net heating capacity output	\dot{Q}_{HC}	34.04	MW
Combined Heat and Power plant net efficiency	$\eta_{CHP,net}$	56	%

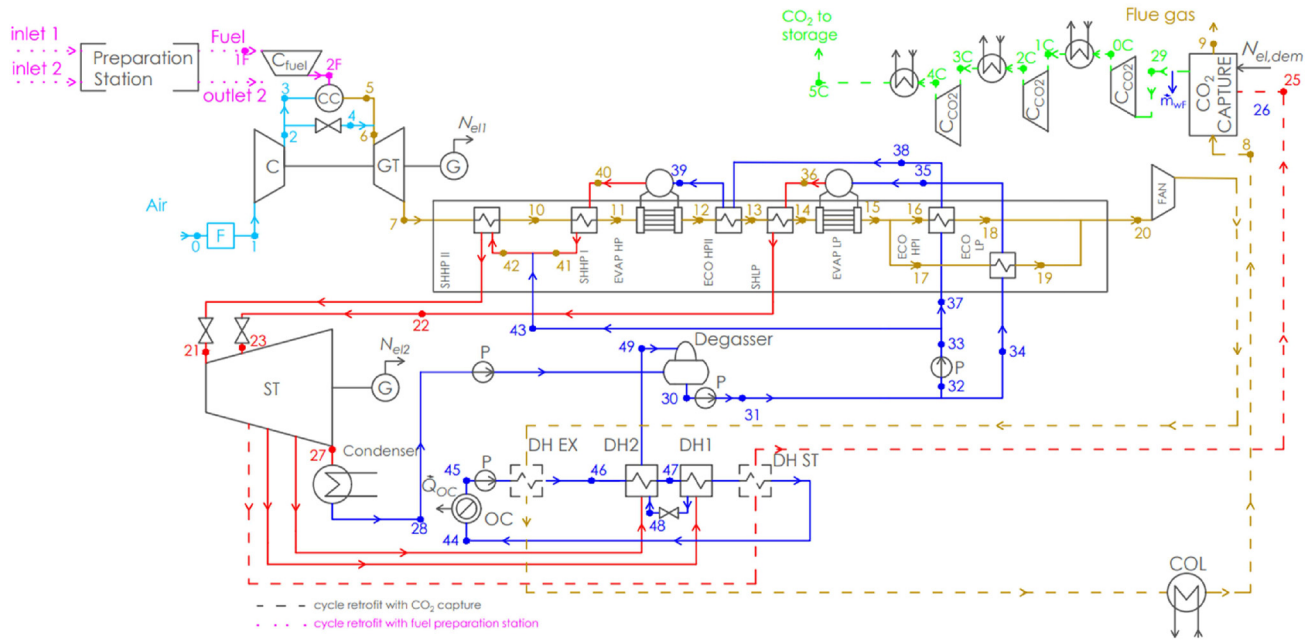


Fig. 3 – Cycle retrofits after adding CCS installation and fuel preparation station.

Table 2 – Compilation of computational results and literature values to determine the relative error and correctness of the reference computational model.

Parameter	Symbol	Reference value from operating data	Value calculated in EBSILON	Value calculated in EcoPG	Absolute error		Unit	Relative error [%]	
					EBSILON	EcoPG		EBSILON	EcoPG
GT electric power	N_{el1}	126.1	126.5	121.2	0.4	4.9	MW	0.32	3.89
Electrical efficiency of the gas cycle	$\eta_{el,TC}$	33.8	33.4	32.8	0.4	1	%	1.18	2.96
Exhaust gas mass flow	\dot{m}_6	418	418	418	0	0	kg/s	0	0
Exhaust gas temperature at GT inlet	t_6	1100	1098.85	1052.17	1.15	47.83	°C	0.1	4.35
Exhaust gas temperature at GT outlet	t_7	543	543.02	560.4	0.02	17.4	°C	0	3.2
LP steam mass flow	\dot{m}_{23}	11.14	11.91	11.91	0.77	0.77	kg/s	6.91	6.91
HP steam mass flow	\dot{m}_{21}	50.98	49.37	49.37	1.61	1.61	kg/s	3.16	3.16
Electrical Power ST	N_{el2}	56.33	57.6	54.24	1.27	2.09	MW	2.25	3.71

a flash valve, so a gaseous phase composed of mainly water vapor is achieved. Then it's recompressed and recycled back to the stripper where the heat of condensation can be harnessed and the heat duty of the reboiler is reduced [45]. The lean solution circles back to the absorber and the cycle is closed.

From the perspective of modelling the CCS system few assumptions have been made. The demand for electric power (pumps, fan, compressor) and heat for the installation to work is described using fixed parameters dependent on the captured CO₂ mass flow, so the energy balance looks as in Eqs. (2) and (3).

$$\dot{H}_8 + N_F + N_{P1,2} + N_C + N_{WH,i} + \dot{H}_{25} = \dot{H}_9 + \dot{H}_{26} + \dot{H}_{29} + \sum \dot{Q}_{WH,i} \text{ [MW]} \quad (2)$$

$$\dot{H}_8 + \dot{m}_{29} \cdot q_{el,CO_2} + \dot{m}_{29} \cdot q_{H,CO_2} = \dot{H}_9 + \dot{H}_{29} + \sum \dot{Q}_{WH,i} \text{ [MW]} \quad (3)$$

The influence of flue gas compositions for different fuels at sorption process has been neglected, as the content differences are rather small (no more than 1.5% difference) when compared to coal fired plants [61]. The mass fluxes of water \dot{m}_w and MEA \dot{m}_m that need to be replenished are also omitted. An assumption of removing water \dot{m}_{wF} after the CO₂ capture was made, so the stream heading for CO₂ compression is pure CO₂, even though the real purity for this case is around 96% [45]. Temperatures and pressures at the inlet and outlet of the CO₂ capture are fixed, as the process requires, and are shown in Table 3.

CO₂ compression was modelled using three stage compressor, from 1.01 bar to storage pressure at 110 bar, proposed in different papers before [45,46]. Inter-stage cooling was implemented to reduce the power input of compressors, with water cooling to 35 °C as proposed by Kvamsdal HM, Jordal K and Bolland O [28]. The pressure ratios of all three stages were similar to achieve close to equal power inputs and temperatures of CO₂ after each stage. Pressure after first stage

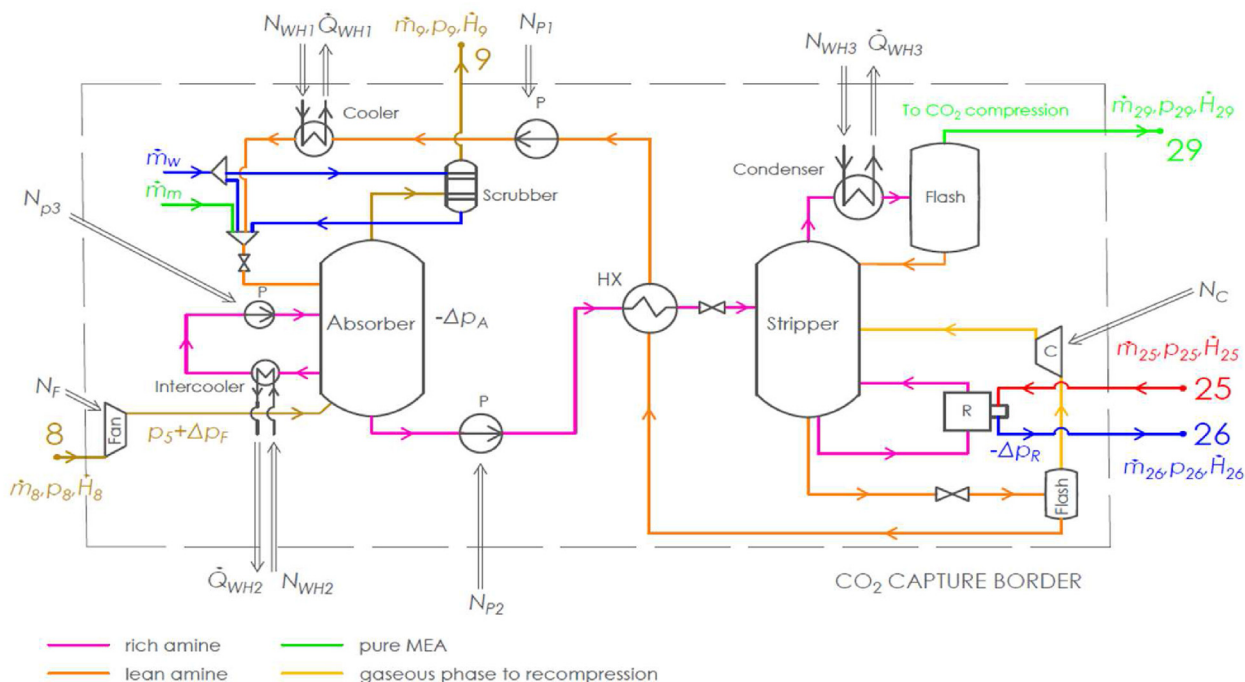


Fig. 4 – Schematic diagram of the considered amine-based absorption system.

Table 3 – Main parameters adapted for the modelled amine-based absorption system (based on [45]).

Parameter	Symbol	Value	Unit
CO ₂ capture rate	–	0.9	–
Amount of MEA solvent	–	16.27	$\left[\left(\frac{\text{kg}_{\text{MEA}}}{\text{s}} \right) / \left(\frac{\text{kg}_{\text{CO}_2, \text{fg}}}{\text{s}} \right) \right]$
Flue gas pressure drop in absorber column	Δp_A	128.6	$\left[\text{Pa} / \left(\frac{\text{kg}_{\text{CO}_2, \text{fg}}}{\text{s}} \right) \right]$
Flue gas inlet pressure	p_8	1.01	bar
Flue gas outlet pressure	p_9	1.01	bar
Flue gas inlet temperature	t_8	48	°C
Flue gas outlet temperature	t_9	45	°C
Flue gas mass flow	\dot{m}_8	418	kg/s
CO ₂ outlet pressure	p_{29}	1.01	bar
CO ₂ outlet temperature	t_{29}	30	°C
Steam to reboiler pressure	p_{25}	4	bar
Steam to reboiler temperature	t_{25}	145	°C
Water from reboiler temperature	t_{26}	130	°C
Pressure drop in reboiler	Δp_R	0.08	bar
Electric power demand to the system	$q_{\text{el}, \text{CO}_2}$	0.25	MJ/kg _{CO₂}
Heat demand to reboiler	$q_{\text{H}, \text{CO}_2}$	2.71	MJ/kg _{CO₂}

of the compressor is equal to 5 bar, after the second stage – 23 bar, and after the last stage, it equals 110.1 bar, just slightly more than storage pressure to overcome the pressure drop in the last cooler.

2.4. CCS model integration with CHP plant

To examine the impact of the proposed CO₂ capture system on the performance of reference power plant with different fuels considered, some modifications were implemented. The modifications are shown in Fig. 3 with a dashed line. These are mostly connected to the steam part of cycle, as there is

significant demand for steam extraction to the reboiler, to strip the CO₂ out of the solution. The steam is extracted from the turbine at a pressure of slightly over 4 bars, so it reaches the CO₂ capture reactor at exactly 4 bars. However, the steam needs to be cooled to around 145 °C [45] which is done through applying a heat exchanger at the last part of the municipal heating water cycle. The condensate leaving reboiler at 130 °C is used to heat up the municipal water and is cooled to 80 °C held constant, and then pumped back to the water cycle of power plant.

Flue gas leaving the HRSG needs to be cooled to 48 °C before entering the reactor. It is a significant amount of heat as the flue gases leaving HRSG have over 130 °C. Heat recovery from

the flue gas is proposed and applied to preheat municipal water. Flue gas cooling to 74 °C is assumed and held constant, and after-cooling is done in a second cooler. Constant temperature conditions may result in different heat outputs of the plant, however no lower than nominal, because steam extraction is then used. The concept of recovering flue gas heat is important especially when it comes to higher heat demands at winter, and fuels with more carbon content, where more CO₂ is produced which drives the demand of reboiler's heat; additionally, steam extraction to DH1 and DH2 is used to cover higher heat demands. This helps maintaining constant CO₂ capture ratio, without significant redesigning or adding an extra GT for steam production, as presented by Bartela L. et al. [61].

2.5. Hydrogen production and integration with the cycle

For several years, there has been a growing demand for hydrogen in the world [62,63], and according to forecasts, it will continue to grow [12,64], depending on the assumptions from the level of 73 to even 567 Mt/year [65]. Scientists see the benefit of using hydrogen in industry, e.g., heating [66] or heavy transport [66]. The use of hydrogen in the energy sector together with renewable energy sources will allow the decarbonization process to be carried out worldwide [67,68]. In addition, hydrogen may enable the storage of overgenerated electric power from renewable energy sources [69].

In the literature, it can be found works showing the interest of researchers in the use of hydrogen to drive gas turbines [20,67,70]. The technologies used in turbines allow the use of various gaseous or liquid fuels [71–73]. Among the gaseous fuels, we can mention, for example, hydrogen, methane and syngas [25] and in the group of liquid fuels: biodiesel [72] or bioethanol [74].

One of the goals presented in the European Hydrogen Strategy is to replace 10 Mt of hydrogen produced from steam-methane reforming (SMR) of natural gas with hydrogen that can be produced using renewable energy sources and electrolysis. This process will be expected to be completed by 2030 [25].

Various hydrogen production technologies and processes can be found in the literature. There are three most popular ways to produce hydrogen: steam methane reformation [23], gasification and electrolysis [65]. In addition to those mentioned to a lesser extent, bio-waste from fermentation processes [63,75] or electrolysis and biodiesel from algae [76], as well as refining bio-waste can be used to produce hydrogen.

In the industrial production of hydrogen, the SMR method is relatively inexpensive [77]. This method has disadvantages resulting from the large manufacturing of greenhouse gases. Another well-known process is water electrolysis, the importance of which is expected to grow in the hydrogen production market. This increase is due to low greenhouse gas emissions when using renewable energy sources to produce electricity. What is worth emphasizing in this technology, alkaline electrolyzers used for electrolysis are cheaper and more reliable than the opposite oxide electrolyzers [78].

In the literature on this subject, it is presented a paper where Schnuelle et al. [79] show that hydrogen production can be modelled using a solar thermochemical system. However,

Fazli-Khalaf et al. [80] presents the possibility of hydrogen production using the Sel nuclear thermochemical system.

Another method of hydrogen production is the gasification of coal or biomass. The advantage of gasification is the treatment of biomass as a renewable resource characterized by very low greenhouse gas emissions, which is desirable given the current trends towards their minimization. In case of coal gasification, it is one main disadvantage is releasing greenhouse gases generated during hydrogen production.

Hydrogen can be produced from biofuels and biomass [81,82], which have a number of advantages concerning the ease of obtaining renewable and environmentally friendly source [83] and also reducing the consumption of crude oil [84]. On the other hand, biofuels also have disadvantages, in particular, high costs [85]. One of the sources of biomass may be algae [86,87] which purify water and sewage but also reduce greenhouse gas emissions [88]. One of the way to obtain biohydrogen precisely by direct photolysis of water includes using algae, but if anaerobic algae growth occurs in the light, then, in this case, the hydrogenises enzyme should be additionally applied [88]. In the first case, we have less hydrogen production than in the second. Still, in the second, there is a higher energy consumption due to the continuous illumination of algae and the use of the enzyme. The cost of producing biofuel from algae is relatively high because 77% of expenditures in breeding. However, prices of algae can be reduced by algae production from municipal or industrial wastewater [89,90].

The advantages of using algae are: firstly, their ability to sequester up to 1.3 kg of CO₂ while producing 1 kg of biomass derived from them [89]; secondly, a possibility to remove nitrogen and phosphorus. Algae biomass can also generate biofuels other than biohydrogen, such as bioethanol or bio-butanol. The efficiency of the hydrogen production from algae is similar to both ways of breeding, namely: increase of algae in sewage treatment plants and farms [91]. Microbial fuel cells could be integrated with wastewater treatment plants and enable the production of biohydrogen [92].

Furthermore, sewage-derived algae are more popular in biopolymers production [93,94] that will improve the environment by not applying polypropylene and polyvinyl from oil and replacing this substances with algae biopolymers [95]. Biopolymers derived from algae will be biodegradable and environmentally friendly due to the fact, bioplastic will be obtained [96]. Therefore, in algae biomass the dominant elements are carbon and hydrogen [97].

2.6. Fuel assumptions

Fuel compositions and lower heating values (LHV) are presented in Table 4. Besides the reference case, pure methane, syngas [24], pure hydrogen and a mixture of hydrogen and methane [53] are presented. Only a case basing on pure hydrogen was modelled without CCS installation. Fuel compressors have been modelled to compare the power outputs for different fuels and mass flow rates, assuming that all the fuels are not provided under the right pressure from the gas distribution grid. Table 4 shows that the highest LHV is obtained for pure hydrogen and it is almost 3 times higher than for nitrogen-enriched natural gas, followed by a mixture of

Table 4 – Fuel compositions and LHV in [MJ/kg].

Fuel type	Symbol	Fuel compositions by volumetric shares	LHV
Nitrogen-enriched natural gas	NNG	87% CH ₄ , 12.3% N ₂ , 0.3% C ₂ H ₆ , 0.2% CO ₂ , 0.1% C ₃ H ₈ , 0.1% C ₄ H ₁₀	39.98
Methane	M	100% CH ₄	50.015
Syngas	S	45.17% H ₂ , 25.61% CO ₂ , 13.64% CH ₄ , 9.09% CO, 3.39% C ₃ H ₈ , 3.1% NH ₃	17.086
Hydrogen	H	100% H ₂	120
Hydrogen + Methane	H + M	88.8% H ₂ , 11.2% CH ₄	86

hydrogen and methane. It should be emphasized that the technology of electrolyzers, which is currently under development, can be used to produce this hydrogen. Besides the most developed methods such as alkaline and polymer electrolyzers, other methods might be used such as SOEC (Solid Oxide Electrolyzer Cell) electrolyzers which are in the phase of research and pilot installations. SOEC technology has the potential to be used especially in large production facilities. Alkaline and polymer electrolyzers are low-temperature devices where water decomposes in a liquid state, while oxide electrolyzers are high-temperature electrolyzers (850–950 °C) [30].

2.7. CHP with CO₂ capture performance indicators

The analysis of syngas and other fuels combustion, combined with CO₂ capture, and hydrogen combustion was performed using different indicators. Some of them, such as efficiency, emissivity or SPECCA might correspond to local changes (change between reference plant with various fuel and after retrofit) or global (change between reference plant with nitrogen-enriched fuel and after retrofit with any other fuel). Symbols not explained under the equations refer to quantities shown in Fig. 3. The indicators are as follows.

- Gross electrical efficiency (4):

$$\eta_{el, gross} = \frac{N_{el1} + N_{el2}}{\dot{m}_{1F} \cdot LHV} \cdot 100 \quad [\%] \quad (4)$$

- Net electrical efficiency (5):

$$\eta_{el, net} = \frac{N_{el1} + N_{el2} - \sum N_{el, demand, i}}{\dot{m}_{1F} \cdot LHV} \cdot 100 \quad [\%] \quad (5)$$

$\sum N_{el, demand, i}$ sum of all electric power demands such as compressors, pumps, fans, CO₂ reactor electricity demand etc.

- CHP plant gross efficiency (6):

$$\eta_{CHP, gross} = \frac{N_{el1} + N_{el2} + \dot{Q}_{HC}}{\dot{m}_{1F} \cdot LHV} \cdot 100 \quad [\%] \quad (6)$$

- CHP plant net efficiency (7):

$$\eta_{CHP, net} = \frac{N_{el1} + N_{el2} + \dot{Q}_{HC} - \sum N_{el, demand, i}}{\dot{m}_{1F} \cdot LHV} \cdot 100 \quad [\%] \quad (7)$$

- Electrical power penalty (8):

$$\Delta N_{el} = \left[N_{el1} + N_{el2} - \sum N_{el, demand, i} \right]_{wo. retr.} - \left[(N_{el1} + N_{el2}) - \sum N_{el, demand, i} \right]_{with retr.} \quad [MW] \quad (8)$$

- CHP plant net efficiency penalty (9):

$$\Delta \eta_{CHP, net} = (\eta_{CHP, net})_{wo. retr.} - (\eta_{CHP, net})_{with retr.} \quad [\%] \quad (9)$$

- Specific CO₂ emissions (10) [9]:

$$e_{CO_2} = \frac{3600 \cdot X_{CO_2} \cdot \dot{m}_g}{N_{el1} + N_{el2} + \dot{Q}_{HC} - \sum N_{el, demand, i}} \quad \left[\frac{kg \ CO_2}{MWh} \right] \quad (10)$$

\dot{m}_g mass flow of CO₂ emitted to the atmosphere with flue gases [kg/s].

X_{CO_2} CO₂ mass fraction in flue gases [–]

- Specific CO₂ emissions avoided (11):

$$e_{CO_2, avoided} = e_{CO_2, wo. retr.} - e_{CO_2, with retr.} \quad \left[\frac{kg \ CO_2}{MWh} \right] \quad (11)$$

- Specific primary energy consumption for CO₂ avoided (SPECCA) (12) [9]:

$$SPECCA = 360000 \cdot \frac{\frac{1}{e_{CO_2, wo. retr.}} - \frac{1}{e_{CO_2, with retr.}}}{e_{CO_2, wo. retr.} - e_{CO_2, with retr.}} \quad \left[\frac{MJ}{kg_{CO_2}} \right] \quad (12)$$

3. Results and discussion

In this section, several aspects of considered retrofits were presented and discussed, focusing mostly on power plant performance and emission related indicators. As stated previously, some results refer to local changes, where considered plant before and after retrofit operates at the same fuel, and global changes, where the results are compared to reference plant without CO₂ capture.

3.1. Plant performance indicators before and after retrofit

Electrical and CHP efficiencies were calculated to compare qualitatively the considered fuels with a combination of CO₂ capture technology (except hydrogen), resulting in efficiency penalties for the entire cycle. Fig. 5 presents CHP net local and global efficiencies of the plant after the retrofit. For the reference case of fuel and methane similar results were obtained, where 6.3% efficiency penalty is observed decreasing the efficiency to 49.6%. Using syngas as fuel resulted in significantly higher efficiency penalties, especially when comparing globally, where 8.6% efficiency loss was calculated. This high loss corresponds to the electrical power penalty, as can be seen in Fig. 6 especially when including 4.8 MW of heat that was gained for the same temperature conditions. These losses result of higher fuel compressor power input (lower LHV than for reference case resulted in 2.3 times higher fuel mass flow) and higher CO₂ capture, and compression power demand, as for the same capture efficiency higher CO₂ mass flow was obtained. Also around 5 MW more of electrical power was lost, when comparing to reference plant with CCS, as an effect of higher steam extraction mass flow to cover reboiler demand.

Hydrogen and methane combustion present significantly lower CHP efficiency penalty, as the captured CO₂ stream is over three times smaller than for the reference case, so the previously mentioned power demands are lower as well, and 4 MW more of electrical power are generated at the GT, as a result of higher LHV value. The best option seems to be pure hydrogen combustion, as the lowest efficiency penalty, when

globally referring, is achieved – 1.3%, which results in the best CHP net efficiency among all the cases after retrofit. This low penalty is caused by over three times higher demand for fuel compression but compensated by gain of 5.5 MW of GT's electrical power, overall resulting in nearly 6 MW of power loss.

Electrical efficiency penalties are slightly higher than CHP efficiency penalties, except of syngas combustion, where an additional 1.3% efficiency penalty occurred, as an effect of omitting the gain of heat for municipal heating. Plants based on hydrogen combustion achieve the highest electrical efficiencies among all cases, even though before retrofit they performed noticeably worse than the reference case.

3.2. Emission indicators before and after retrofit

Besides performance results, indicators for CO₂ emission reduction need to be studied, taking into consideration energy costs for carbon capture. In Fig. 7 specific CO₂ emissions, corresponding to overall CHP power instead of just electric power, as a more representative value for this case of study, are shown. The CO₂ emissions were calculated as defined in Eq. (10), and additionally CO₂ emissions avoided are presented according to Eq. (11). The reference to local and global values is explained in the introduction to subsection CHP with CO₂ capture performance indicators. Reference case, as well as methane combustion results, are very similar, where emissivity at a level of 40 kgCO₂/MWh with 317 kgCO₂/MWh reduction is observed, comparing to plant without retrofit. CO₂ capture for syngas combustion resulted in huge emissivity reduction at the level of 460 kgCO₂/MWh locally. However, globally the reduction is slightly lower – 296 kgCO₂/MWh, as higher final emissions of 61 kgCO₂/MWh can be seen.

The methodology of this paper does not take into account the legal specifics, which in some countries, including Poland, allow for renewable fuels after CO₂ capture to achieve a positive environmental impact. In this case, we are talking about a power plant with negative CO₂ emissions [98]. In other words, in the case of syngas from sewage sludge gasification, negative CO₂ emissions [99] would be achieved. Thus, the emissivity in this work referred only to the amount of carbon

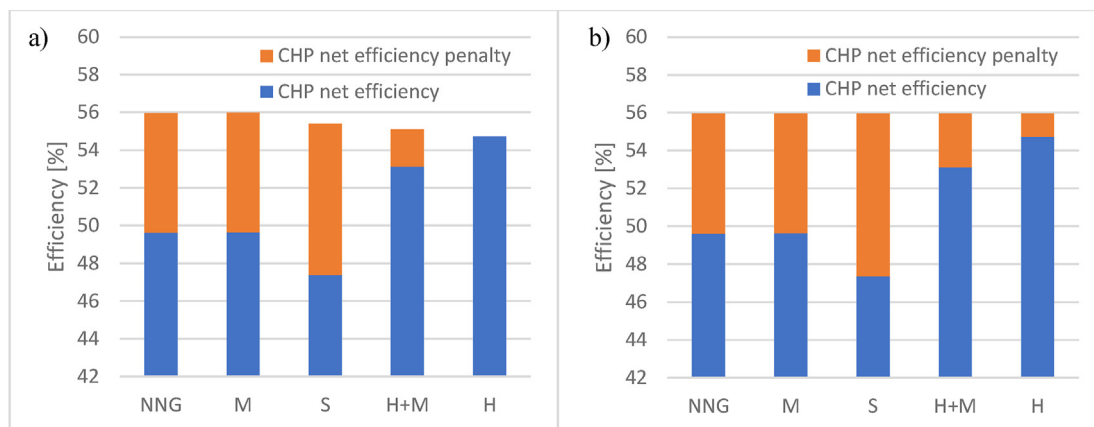


Fig. 5 – Net CHP efficiencies and efficiency penalties of CCGT plant after retrofitting with CCS system or hydrogen combustion: a) locally, b) globally. The horizontal axis refers to fuel types shown in Table 4.

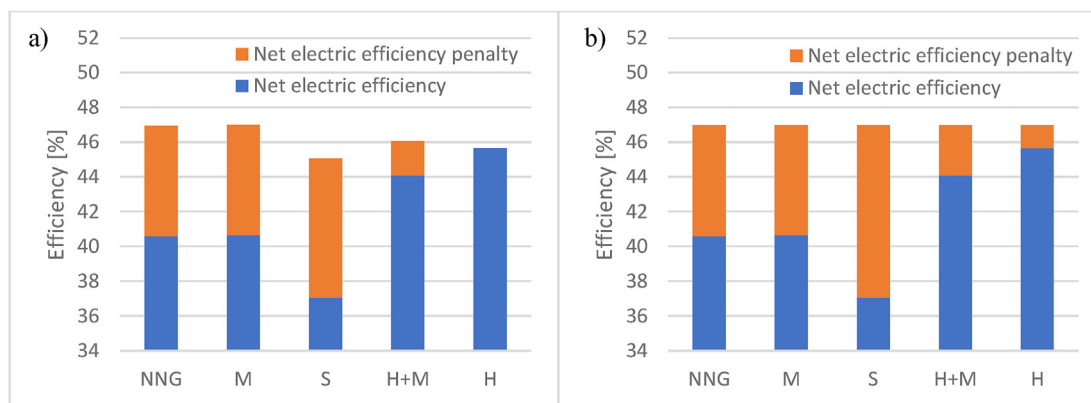


Fig. 6 – Net electrical efficiencies and efficiency penalties of CCGT plant after retrofitting with CCS system or hydrogen combustion: a) locally, b) globally. The designation of names on the horizontal axis shows [Table 4](#).

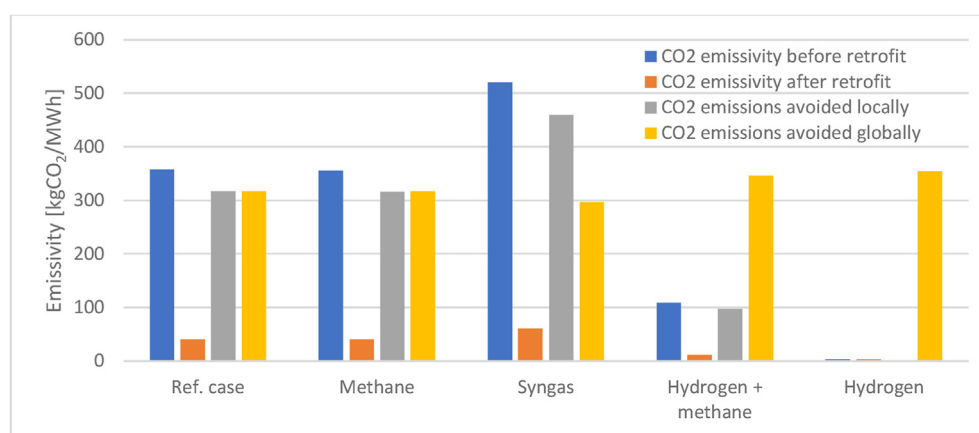


Fig. 7 – Specific CO₂ emissions before and after retrofit of the plant.

dioxide emitted into the environment, without taking into account the legal situation in the country.

Finally, no emissions of CO₂ for hydrogen combustion are achieved, followed by an emissivity of 11.3 kgCO₂/MWh for hydrogen + methane combustion. Obviously, the highest CO₂ emissions avoided globally were achieved for these two hydrogen fuels, having the most positive ecological impact on the environment. As a result of this comparison it can be seen, that it is theoretically possible to design low-emissive power sources burning fossil fuels, basing on the current technology. This is a valuable result for the purpose of energy transformation, before hydrogen technology can be used widely.

However, specific CO₂ emissions provide us information only about the ecological aspect of plants after retrofit, with regards to the power produced. As a measure of energy cost related to CO₂ capture, a SPECCA indicator is implemented, which was introduced by Campanari et al. [100]. However, authors (Campanari S. et al. and Bonalumi D. et al.) in Refs. [100,101] refer this index to electrical efficiencies, and the reference plants are considered as the state-of-the-art CCGT plants. For the purpose of this paper, referring to CHP net efficiencies seems to be more accurate, as there are some gains in heating power, and it is also a product of the power plant. Relatively low SPECCA values as comparing to other authors [100,101] show that CCS might be

valuable also for CCGT and CHP plants, especially when considering additional energy-saving actions as provided in subsection: CCS model integration with CHP plant. It is also worth noting are the SPECCA values for syngas combustion which in this case might be as low as for CCGT burning methane [100,101]. This allows to burn this high-carbon content fuel with similar energy penalty and ecological impact.

Fig. 8 presents SPECCA for all the examined cases. A cost of 2.6 MJ/kgCO₂ was obtained for the reference case and methane combustion. What is worth noticing, a slight decrease of SPECCA locally for syngas was achieved to a value of 2.4 MJ/kgCO₂, as a result of heat gain. However, when referring to the reference case, the cost stands out from the others at a level of 3.9 MJ/kgCO₂. SPECCA indicator globally came out the best for hydrogen/hydrogen + methane combustion, 1 MJ/kgCO₂ and 0.4 MJ/kgCO₂ respectively. According to Refs. [100,101], SPECCA for CCGT with simple amine-based CO₂ capture considered, was equal to 3.2–4 MJ/kgCO₂, which is comparable to syngas combustion in this case. For methane and reference case, over 0.8 MJ/kgCO₂ of savings were made, and 2.2–2.8 MJ/kgCO₂ for hydrogen based fuels. However, it is worth noting that equally good results as for the case with hydrogen are achieved for the system considered in the work [24], namely for the negative emission carbon dioxide power plant.

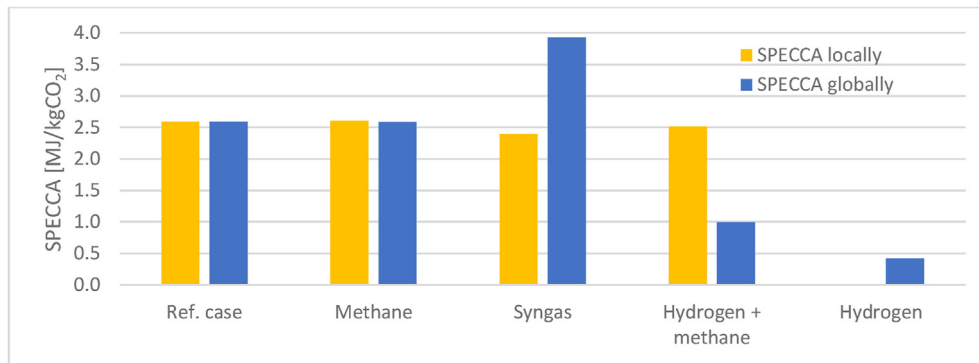


Fig. 8 – SPECCA indicators for proposed retrofits.

4. Conclusions and future development directions

This article presents the possibilities of reducing CO₂, which is necessary to adapt to requirements imposed on countries by the EU and the internal energy policy of a given country. Currently, the policy focuses on the development and use of renewable energy sources to the greatest extent. In a country such as Poland, it is nowadays impossible to close power plants using solid fuels and produce energy only from RES. Therefore, carrying out actions aimed at reducing the production of greenhouse gases from the combustion of solid fuels is necessary. Hence, this paper presents the opportunity of retrofitting the existing CCGT CHP plant in Poland with a system based on the CCS. To achieve thermodynamic performance of modernization, numerical models and calculations were prepared in two software, namely a commercial programme Epsilon and in-house code EcoPG. This article compares various efficiency and emission factors for several fuel cases, such as syngas coupled to an amine-based CCS. Few heat recovery systems were introduced into CHP to limit steam extraction for heating purposes, thus mitigating electrical power losses, which were a result of steam extraction to cover reboiler demand. This led to lower efficiency penalties and better SPECCA indicators for fuels like methane and nitrogen-enriched gas when compared to other authors [100]. In the case of the reference fuel and methane, similar results were obtained, e.g. a decrease in efficiency by 6.3% p. p., the efficiency reduction to 49.6%. Additionally, CO₂ emission at the level of 40 kgCO₂/MWh is obtained with a reduction by 317 kgCO₂/MWh compared to the installation without modernization.

Syngas combustion is characterized by the worst results for all the indicators examined, mostly because of its high carbon content (see Table 4) and low LHV. However, it is important to notice that this is an alternative fuel, so perhaps with an increase of prices for CO₂ emission allowances and conventional fuels, it could be a competitive technology. Thus, in Fig. 7., a local CO₂ emission reduction by 460 kgCO₂/MWh was achieved. In addition, syngas can be produced from a variety of unfavourable substances, e.g. sewage sludge, and it may then be useful to dispose of the resulting fuel [16]. As a result of biofuel syngas production from sewage sludge,

organic substances for energy generation are introduced to reduce the consumption of traditional energy sources.

Hydrogen combustion and co-combustion lead to the best results, both regarding low plant performance penalties and low CO₂ emissions to the atmosphere. With the development of power cells and ground-breaking progress of hydrogen combustion in GT, it may in fact be the future of the world's energetics. There is still a lot to achieve, however, the results of this paper show clearly that it makes sense to continue research on this technology.

In the next stage of the work, it is worth conducting an economic analysis of the proposed solutions to indicate the payback period for the installation of the carbon capture, electrolyzer, or gasification reactor, respectively. In turn, the main gains will derive from avoided CO₂ emission costs. In the case of sewage sludge, there will also be a profit from the disposal of this harmful waste [98,102]. It is still reasonable to consider other types of fuel, namely biofuels produced from algae, wood, straw, etc [103]. Forward-looking work also includes Computational Fluid Dynamics analyses, which can show a change in the emissivity of components such as CO and NO_x. In terms of durability analyses, it will be important to determine the flame length and temperature field both in the combustion chamber and in the subsequent expander stages [104,105]. Therefore, the present issues carry a whole field of perspectives for further research that contributes to increasing the share of renewable energy sources in the energy mix.

Declaration of competing interest

The authors declare that they have no known competing financial interests or personal relationships that could have appeared to influence the work reported in this paper.

Acknowledgements

Financial support of these studies from Gdańsk University of Technology by the DEC-50/2020/IDUB/I.3.3 grant under the ARGENTUM TRIGGERING RESEARCH GRANTS—EIRU program is gratefully acknowledged.

Ebsilon®Professional 15.00, Steag Energy Services GmbH program was used for numerical calculations provided by Flextek company for research purposes.

REFERENCES

- [1] Javadi M, Jafari N, Khalili M, Jabery R. 4E analysis of three different configurations of a combined cycle power plant integrated with a solar power tower system. *Sustain Energy Technol Assessments* 2021;48:101599. <https://doi.org/10.1016/j.seta.2021.101599>.
- [2] Mohammed RK, Farzaneh H. Life cycle environmental impacts assessment of post-combustion carbon capture for natural gas combined cycle power plant in Iraq, considering grassroots and retrofit design. *Energies* 2023;16. <https://doi.org/10.3390/en16031545>.
- [3] Witanowski Ł, Ziółkowski P, Klonowicz P, Lampart P. A hybrid approach to optimization of radial inflow turbine with principal component analysis. *Energy* 2023;272. <https://doi.org/10.1016/j.energy.2023.127064>.
- [4] Dominiczak K, Drosińska-Komor M, Rządkowski R, Głuch J. Optimisation of turbine shaft heating process under steam turbine run-up conditions. *Arch Therm* 2020;41:255–68. <https://doi.org/10.24425/ather.2020.135863>.
- [5] Breńkacz Ł, Żywica G, Drosińska-Komor M. The experimental identification of the dynamic coefficients of two hydrodynamic journal bearings operating at constant rotational speed and under nonlinear conditions. *Pol Marit Res* 2017;24:108–15. <https://doi.org/10.1515/pomr-2017-0142>.
- [6] Głuch J. Selected problems of determining an efficient operation standard in contemporary heat-and-flow diagnostics. *Pol Marit Res* 2009;16:22–6. <https://doi.org/10.2478/v10012-008-0040-6>.
- [7] Ziółkowski P, Głuch S, Ziółkowski PJ, Badur J. Compact high efficiency and zero-emission gas-fired power plant with oxy-combustion and carbon capture. *Energies* 2022;15:2590. <https://doi.org/10.3390/en15072590>.
- [8] Ziółkowski P, Szewczuk-Krypa N, Butterweck A, Stajnke M, Głuch S, Drosińska-Komor M, et al. Comprehensive thermodynamic analysis of steam storage in a steam cycle in a different regime of work: a zero-dimensional and three-dimensional approach. *J Energy Resour Technol* 2021;143:1–27. <https://doi.org/10.1115/1.4052249>.
- [9] Madejski P, Chmiel K, Subramanian N, Kuś T. Methods and techniques for CO2 capture: review of potential solutions and applications in modern energy technologies. *Energies* 2022;15:887. <https://doi.org/10.3390/en15030887>.
- [10] Suchocki T, Witanowski, Lampart P, Kazimierski P, Januszewicz K, Gawron B. Experimental investigation of performance and emission characteristics of a miniature gas turbine supplied by blends of kerosene and waste tyre pyrolysis oil. *Energy* 2021;215:119125. <https://doi.org/10.1016/j.energy.2020.119125>.
- [11] Madejski P, Żymełka P. Calculation methods of steam boiler operation factors under varying operating conditions with the use of computational thermodynamic modeling. *Energy* 2020;197. <https://doi.org/10.1016/j.energy.2020.117221>.
- [12] Weidner T, Tulus V, Guillén-Gosálbez G. Environmental sustainability assessment of large-scale hydrogen production using prospective life cycle analysis. *Int J Hydrogen Energy* 2023;48:8310–27. <https://doi.org/10.1016/j.ijhydene.2022.11.044>.
- [13] Szewczuk-Krypa N, Drosińska-Komor M, Głuch J, Breńkacz L. Comparison analysis of selected nuclear power plants supplied with helium from high-temperature gas-cooled reactor. *Pol Marit Res* 2018;25:204–10. <https://doi.org/10.2478/pomr-2018-0043>.
- [14] Głuch J, Krzyżanowski J. New attempt for diagnostics of the geometry deterioration of the power system based on thermal measurement. *Proc. ASME Turbo Expo 2006*;2:531–9. Barcelona: 2006.
- [15] Takeda S, Nam H, Chapman A. Low-carbon energy transition with the sun and forest: solar-driven hydrogen production from biomass. *Int J Hydrogen Energy* 2022;47:24651–68. <https://doi.org/10.1016/j.ijhydene.2021.11.203>.
- [16] Ertesvåg IS, Madejski P, Ziółkowski P, Mikieliewicz D. Exergy analysis of a negative CO2 emission gas power plant based on water oxy-combustion of syngas from sewage sludge gasification and CCS. *Energy* 2023;278:127690. <https://doi.org/10.1016/j.energy.2023.127690>.
- [17] Ritchie H, Roser M, Rosado P. CO2 and Greenhouse Gas Emissions Published online at OurWorldInData.org. Global Carbon Project; 2020. <https://ourworldindata.org/co2-and-other-greenhouse-gas-emissions>. Accessed 1 May 2022.
- [18] Weger L, Abánades A, Butler T. Methane cracking as a bridge technology to the hydrogen economy. *Int J Hydrogen Energy* 2017;42:720–31. <https://doi.org/10.1016/j.ijhydene.2016.11.029>.
- [19] Gilassi S, Taghavi SM, Rodrigue D, Kaliaguine S. Techno-economic evaluation of membrane and enzymatic-absorption processes for CO2 capture from flue-gas. *Sep Purif Technol* 2020;248:116941. <https://doi.org/10.1016/j.seppur.2020.116941>.
- [20] Cloete S, Ruhnau O, Hirth L. ScienceDirect on capital utilization in the hydrogen economy : the quest to minimize idle capacity in renewables- rich energy systems. *Int J Hydrogen Energy* 2020;46:169–88. <https://doi.org/10.1016/j.ijhydene.2020.09.197>.
- [21] Cownden R, Mullen D, Lucquiaud M. ScienceDirect towards net-zero compatible hydrogen from steam reformation e Techno-economic analysis of process design options. *Int J Hydrogen Energy* 2023. <https://doi.org/10.1016/j.ijhydene.2022.12.349>.
- [22] Aburime EI, Omoregbe O, Amenaghawon NA, Aziaka DS, Tashie-Lewis BC. Amino-2-methyl-1-propanol-based post-combustion capture process with solvent storage for decarbonisation of natural gas combined cycle power plant. *Carbon Capture Sci Technol* 2022;2:100024. <https://doi.org/10.1016/j.ccst.2021.100024>.
- [23] Klatzer T, Bachhiesl U, Wogrin S. State-of-the-art expansion planning of integrated power, natural gas, and hydrogen systems. *Int J Hydrogen Energy* 2022;47:20585–603. <https://doi.org/10.1016/j.ijhydene.2022.04.293>.
- [24] Ziółkowski P, Madejski P, Amiri M, Kuś T, Stasiak K, Subramanian N, et al. Thermodynamic analysis of negative CO2 emission power plant using aspen plus, aspen hysys, and Ebsilon software. *Energies* 2021;14. <https://doi.org/10.3390/en14196304>.
- [25] Öberg S, Odenberger M, Johnsson F. The value of flexible fuel mixing in hydrogen-fueled gas turbines – a techno-economic study. *Int J Hydrogen Energy* 2022;47:31684–702. <https://doi.org/10.1016/j.ijhydene.2022.07.075>.
- [26] Drosińska-Komor M, Głuch J, Brzezińska-Gołębiowska K, Piotrowicz M, Ziółkowski P. Conditions for increasing the recognition of degradation in thermal-flow diagnostics, taking into account environmental legal aspects. *J Power Technol* 2023;103:33–48.
- [27] Website of the Republic of Poland. Energy policy of Poland until 2040. n.d. <https://www.gov.pl/web/klimat/polityka-energetyczna-polski> (accessed May 1, 2022).
- [28] Abudu K, Igie U, Roumeliotis I, Hamilton R. Impact of gas turbine flexibility improvements on combined cycle

- gas turbine performance. *Appl Therm Eng* 2021;189:116703. <https://doi.org/10.1016/j.applthermaleng.2021.116703>.
- [29] General Electrics. Breaking the power plant efficiency record again. 27 March 2018. n.d. <https://www.ge.com/gas-power/resources/articles/2018/nishi-nagoya-efficiency-record>. [Accessed 1 May 2022].
- [30] Chmielniak T, Chmielniak T. *Energetyka wodorowa*. Wydawnictwo Naukowe PWN; 2020.
- [31] Badyda K. *Perspektywy rozwoju technologii turbin gazowych oraz bloków gazowo-parowych*. Rynek Energii; 2014 [Sierpień].
- [32] Kotowicz J. Stan i perspektywy rozwoju układów gazowo-parowych. *Arch Energ* 2012;23–38.
- [33] Descamps C, Bouallou C, Kanniche M. Efficiency of an integrated gasification combined cycle (IGCC) power plant including CO₂ removal. *Energy* 2008;33:874–81. <https://doi.org/10.1016/j.energy.2007.07.013>.
- [34] Ziółkowski P, Badur J, Ziółkowski PJ. An energetic analysis of a gas turbine with regenerative heating using turbine extraction at intermediate pressure - brayton cycle advanced according to Szewalski's idea. *Energy* 2019;185:763–86. <https://doi.org/10.1016/j.energy.2019.06.160>.
- [35] Ziółkowski P, Kowalczyk T, Lemański M, Badur J. On energy, exergy, and environmental aspects of a combined gas-steam cycle for heat and power generation undergoing a process of retrofitting by steam injection. *Energy Convers Manag* 2019;192:374–84. <https://doi.org/10.1016/j.enconman.2019.04.033>.
- [36] Li D, Hu Y, Li D, Wang J. Combined-cycle gas turbine power plant integration with cascaded latent heat thermal storage for fast dynamic responses. *Energy Convers Manag* 2019;183:1–13. <https://doi.org/10.1016/j.enconman.2018.12.082>.
- [37] International Energy Agency. Carbon capture, utilisation and storage n.d. www.iea.org/fuels-and-technologies/carbon-capture-utilisation-and-storage (accessed May 1, 2022).
- [38] Andrews JW. Hydrogen production and carbon sequestration by steam methane reforming and fracking with carbon dioxide. *Int J Hydrogen Energy* 2020;45:9279–84. <https://doi.org/10.1016/j.ijhydene.2020.01.231>.
- [39] Padurean A, Cormos C-C, Agachi P-S. Pre-combustion carbon dioxide capture by gas-liquid absorption for Integrated Gasification Combined Cycle power plants. *Int J Greenh Gas Control* 2012;7:1–11. <https://doi.org/10.1016/j.ijggc.2011.12.007>.
- [40] Lawal A, Wang M, Stephenson P, Yeung H. Dynamic modelling of CO₂ absorption for post combustion capture in coal-fired power plants. *Fuel* 2009;88:2455–62. <https://doi.org/10.1016/j.fuel.2008.11.009>.
- [41] Keivani B, Gungor A. Techno-economic assessment of coal and torrefied biomass co-combustion: a case study of oxy-combustion carbon capture power plants in Turkey. *J CO₂ Util* 2022;62:102103. <https://doi.org/10.1016/j.jcou.2022.102103>.
- [42] Yadav S, Mondal SS. A review on the progress and prospects of oxy-fuel carbon capture and sequestration (CCS) technology. *Fuel* 2022;308:122057. <https://doi.org/10.1016/j.fuel.2021.122057>.
- [43] Kvamsdal HM, Jordal K, Bolland O. A quantitative comparison of gas turbine cycles with CO₂ capture. *Energy* 2007;32:10–24. <https://doi.org/10.1016/j.energy.2006.02.006>.
- [44] Wu Y, Chen X, Ma J, Wu Y, Liu D, Mi J, et al. System integration for coal-fired power plant with post combustion CO₂ capture: comparative study for different solid dry sorbents. *Fuel* 2020;280. <https://doi.org/10.1016/j.fuel.2020.118561>.
- [45] Amrollahi Z, Ystad PAM, Ertesvåg IS, Bolland O. Optimized process configurations of post-combustion CO₂ capture for natural-gas-fired power plant – power plant efficiency analysis. *Int J Greenh Gas Control* 2012;8:1–11. <https://doi.org/10.1016/j.ijggc.2012.01.005>.
- [46] Mondino G, Grande CA, Blom R, Nord LO. Moving bed temperature swing adsorption for CO₂ capture from a natural gas combined cycle power plant. *Int J Greenh Gas Control* 2019;85:58–70. <https://doi.org/10.1016/j.ijggc.2019.03.021>.
- [47] Carapellucci R, Giordano L, Vaccarelli M. Study of a natural gas combined cycle with multi-stage membrane systems for CO₂ post-combustion capture. *Energy Proc* 2015;81:412–21. <https://doi.org/10.1016/j.egypro.2015.12.114>.
- [48] Oh SY, Yun S, Kim JK. Process integration and design for maximizing energy efficiency of a coal-fired power plant integrated with amine-based CO₂ capture process. *Appl Energy* 2018;216:311–22. <https://doi.org/10.1016/j.apenergy.2018.02.100>.
- [49] Lungkadee T, Onsree T, Tangparitkul S, Janwiruch N, Nuntaphan A, Tippayawong N. Technical and economic analysis of retrofitting a post-combustion carbon capture system in a Thai coal-fired power plant. *Energy Rep* 2021;7:308–13. <https://doi.org/10.1016/j.egypr.2021.06.049>.
- [50] PSE. 2020/2021 Reports n.d. https://www.pse.pl/dane-systemowe/funkcjonowanie-kse/raporty-roczne-z-funkcjonowania-kse-za-rok/raporty-za-rok-2021#t1_1 (accessed May 1, 2022).
- [51] Abe JO, Popoola API, Ajenifuja E, Popoola OM. Hydrogen energy, economy and storage: review and recommendation. *Int J Hydrogen Energy* 2019;44:15072–86. <https://doi.org/10.1016/j.ijhydene.2019.04.068>.
- [52] Choi S, Davenport TC, Haile SM. Protonic ceramic electrochemical cells for hydrogen production and electricity generation: exceptional reversibility, stability, and demonstrated faradaic efficiency. *Energy Environ Sci* 2019;12:206–15. <https://doi.org/10.1039/c8ee02865f>.
- [53] Kowalczyk T, Badur J, Bryk M. Energy and exergy analysis of hydrogen production combined with electric energy generation in a nuclear cogeneration cycle. *Energy Convers Manag* 2019;198:111805. <https://doi.org/10.1016/j.enconman.2019.111805>.
- [54] Taamallah S, Vogiatzaki K, Alzahrani FM, Mokheimer EMA, Habib MA, Ghoniem AF. Fuel flexibility, stability and emissions in premixed hydrogen-rich gas turbine combustion: technology, fundamentals, and numerical simulations. *Appl Energy* 2015;154:1020–47. <https://doi.org/10.1016/j.apenergy.2015.04.044>.
- [55] CHP plant in Zielona Góra n.d. <http://www.ec.zgora.pl/technologie/urzadzenia-wytworcze> (accessed May 3, 2022).
- [56] Plis M, Rusinowski H. A mathematical model of an existing gas-steam combined heat and power plant for thermal diagnostic systems. *Energy* 2018;156:606–19. <https://doi.org/10.1016/j.energy.2018.05.113>.
- [57] Gardzilewicz A, Marcinkowski S, Karwacki J. *Badania cieplno – przepływowe turbiny 7CK-65 w Elektrociepłowni Zielona Góra. Ocena sprawności grupy stopni*. Diagnostyka Masz Sp z o.o w Gdańsku; 2005.
- [58] Flextek Epsilon@Professional 15.00. Steag Energy Services GmbH; 2022. <https://www.epsilon.com/en/>.
- [59] Ziółkowski P. EcoPG – software for the analysis of Ecological Poly-Generation thermodynamic cycles cooperating with renewable energy sources. ARGENTUM TRIGGERING RESEARCH GRANTS: Eco-Poly-Generation systems improving the performance of fossil fuel power plants cooperating with renewable energy source. Gdańsk 2023.



- [60] Mostafavi E, Ashrafi O, Navarri P. Assessment of process modifications for amine-based post-combustion carbon capture processes. *Clean Eng Technol* 2021;4:100249. <https://doi.org/10.1016/j.clet.2021.100249>.
- [61] Bartela Ł, Skorek-Osikowska A, Kotowicz J. Thermodynamic, ecological and economic aspects of the use of the gas turbine for heat supply to the stripping process in a supercritical CHP plant integrated with a carbon capture installation. *Energy Convers Manag* 2014;85:750–63. <https://doi.org/10.1016/j.enconman.2014.02.018>.
- [62] Badur J, Stajinke M, Ziółkowski P, Jóźwik P, Bojar Z, Ziółkowski PJ. Mathematical modeling of hydrogen production performance in thermocatalytic reactor based on the intermetallic phase of Ni3Al. *Arch Therm* 2019;40:3–26. <https://doi.org/10.24425/ather.2019.129547>.
- [63] Bakuru VR, Dmello ME, Kalidindi SB. Metal-organic frameworks for hydrogen energy applications: advances and challenges. *ChemPhysChem* 2019;20:1177–215. <https://doi.org/10.1002/cphc.201801147>.
- [64] Shiva Kumar S, Himabindu V. Hydrogen production by PEM water electrolysis – a review. *Mater Sci Energy Technol* 2019;2:442–54. <https://doi.org/10.1016/j.mset.2019.03.002>.
- [65] Lane B, Reed J, Shaffer B, Samuelsen S. Forecasting renewable hydrogen production technology shares under cost uncertainty. *Int J Hydrogen Energy* 2021;46:27293–306. <https://doi.org/10.1016/j.ijhydene.2021.06.012>.
- [66] Ueckerdt F, Bauer C, Dirnhaichner A, Everall J, Sacchi R, Luderer G. Potential and risks of hydrogen-based e-fuels in climate change mitigation. *Nat Clim Change* 2021;11:384–93. <https://doi.org/10.1038/s41558-021-01032-7>.
- [67] Lux B, Pfluger B. A supply curve of electricity-based hydrogen in a decarbonized European energy system in 2050. *Appl Energy* 2020;269:115011. <https://doi.org/10.1016/j.apenergy.2020.115011>.
- [68] Staffell I, Scamman D, Velazquez Abad A, Balcombe P, Dodds PE, Ekins P, et al. The role of hydrogen and fuel cells in the global energy system. *Energy Environ Sci* 2019;12:463–91. <https://doi.org/10.1039/c8ee01157e>.
- [69] Riera JA, Lima RM, Knio OM. A review of hydrogen production and supply chain modeling and optimization. *Int J Hydrogen Energy* 2023. <https://doi.org/10.1016/j.ijhydene.2022.12.242>.
- [70] Welder L, Stenzel P, Ebersbach N, Markewitz P, Robinius M, Emonts B, et al. Design and evaluation of hydrogen electricity reconversion pathways in national energy systems using spatially and temporally resolved energy system optimization. *Int J Hydrogen Energy* 2019;44:9594–607. <https://doi.org/10.1016/j.ijhydene.2018.11.194>.
- [71] Huth M, Heilos A. Fuel flexibility in gas turbine systems: impact on burner design and performance. Woodhead Publishing Limited; 2013. <https://doi.org/10.1533/9780857096067.3.635>.
- [72] Campbell A, Goldmeier J, Healy T, Washam R, Molie're M, Citeno J. Heavy duty gas turbines fuel flexibility. *Combust. Fuels Emiss Parts A B* 2008;3:1077–85. <https://doi.org/10.1115/GT2008-51368>. ASMEEDC.
- [73] Benaissa S, Adouane B, Ali SM, Rashwan SS, Aouachria Z. Investigation on combustion characteristics and emissions of biogas/hydrogen blends in gas turbine combustors. *Therm Sci Eng Prog* 2022;27:101178. <https://doi.org/10.1016/j.tsep.2021.101178>.
- [74] Moliere M, Vierling M, Aboujaib M, Patil P, Eranki A, Campbell A, et al. Gas turbines in alternative fuel applications: bio-ethanol field test. Vol. 1 *aircr. Engine; ceram. Coal, biomass altern.Fuels; control. Diagnostics instrumentation; educ. Electr. Power. Award. Honor.*; 2009. p. 341–8. <https://doi.org/10.1115/GT2009-59047>. ASMEEDC.
- [75] Maroušek J. Review: nanoparticles can change (bio) hydrogen competitiveness. *Fuel* 2022;328:125318. <https://doi.org/10.1016/j.fuel.2022.125318>.
- [76] Maroušek J, Strunecký O, Bartoš V, Vochozka M. Revisiting competitiveness of hydrogen and algae biodiesel. *Fuel* 2022;328:125317. <https://doi.org/10.1016/j.fuel.2022.125317>.
- [77] Shi Y, Du X, Yang L, Sun Y, Yang Y. Experiments on hydrogen production from methanol steam reforming in fluidized bed reactor. *Int J Hydrogen Energy* 2013;38:13974–81. <https://doi.org/10.1016/j.ijhydene.2013.08.073>.
- [78] Dincer I, AlZahrani AA. 4.25 electrolyzers. *Compr. Energy syst. Elsevier*; 2018. p. 985–1025. <https://doi.org/10.1016/B978-0-12-809597-3.00442-9>.
- [79] Schnuelle C, Wassermann T, Fuhrlander D, Zondervan E. Dynamic hydrogen production from PV & wind direct electricity supply – modeling and techno-economic assessment. *Int J Hydrogen Energy* 2020;45:29938–52. <https://doi.org/10.1016/j.ijhydene.2020.08.044>.
- [80] Fazli-Khalaf M, Naderi B, Mohammadi M, Pishvae MS. Design of a sustainable and reliable hydrogen supply chain network under mixed uncertainties: a case study. *Int J Hydrogen Energy* 2020;45:34503–31. <https://doi.org/10.1016/j.ijhydene.2020.05.276>.
- [81] Kumar G, Shobana S, Nagarajan D, Lee DJ, Lee KS, Lin CY, et al. Biomass based hydrogen production by dark fermentation – recent trends and opportunities for greener processes. *Curr Opin Biotechnol* 2018;50:136–45. <https://doi.org/10.1016/j.copbio.2017.12.024>.
- [82] Sharma A, Arya SK, Lutz GA, Ciurli A, Chiellini C, Di Caprio F, et al. Hydrogen-rich syngas production via integrated configuration of pyrolysis and air gasification processes of various algal biomass: process simulation and evaluation using Aspen Plus software. *Int J Hydrogen Energy* 2021;46:235–45. <https://doi.org/10.1016/j.rser.2020.110041>.
- [83] Amulya K, Venkata Mohan S. Green hydrogen based succinic acid and biopolymer production in a biorefinery: adding value to CO2 from acidogenic fermentation. *Chem Eng J* 2022;429:132163. <https://doi.org/10.1016/j.cej.2021.132163>.
- [84] Wilk M, Magdziarz A, Kalembe-Rec I, Szymańska-Chargot M. Upgrading of green waste into carbon-rich solid biofuel by hydrothermal carbonization: the effect of process parameters on hydrochar derived from acacia. *Energy* 2020;202:117717. <https://doi.org/10.1016/j.energy.2020.117717>.
- [85] Riaz S, Rhee KY, Park SJ. Polyhydroxyalkanoates (phas): biopolymers for biofuel and biorefineries. *Polymers* 2021;13:1–21. <https://doi.org/10.3390/polym13020253>.
- [86] Yin Y, Chen Y, Wang J. Co-fermentation of sewage sludge and algae and Fe²⁺ addition for enhancing hydrogen production. *Int J Hydrogen Energy* 2021;46:8950–60. <https://doi.org/10.1016/j.ijhydene.2021.01.009>.
- [87] Raheem A, Ji G, Memon A, Sivasangar S, Wang W, Zhao M, et al. Catalytic gasification of algal biomass for hydrogen-rich gas production: parametric optimization via central composite design. *Energy Convers Manag* 2018;158:235–45. <https://doi.org/10.1016/j.enconman.2017.12.041>.
- [88] Zabochnicka M, Krzywonos M, Romanowska-Duda Z, Szufa S, Darkalt A, Mubashar M. Algal biomass utilization toward circular economy. *Life* 2022;12:1–18. <https://doi.org/10.3390/life12101480>.
- [89] Sarwer A, Hamed SM, Osman AI, Jamil F, Al-Muhtaseb AH, Alhajeri NS, et al. Algal biomass valorization for biofuel production and carbon sequestration: a review, vol. 20. Springer International Publishing; 2022. <https://doi.org/10.1007/s10311-022-01458-1>.
- [90] Pagliano G, Ventorino V, Panico A, Pepe O. Integrated systems for biopolymers and bioenergy production from

- organic waste and by-products: a review of microbial processes. *Biotechnol Biofuels* 2017;10:1–24. <https://doi.org/10.1186/s13068-017-0802-4>.
- [91] Lage S, Gojkovic Z, Funk C, Gentili FG. Algal biomass from wastewater and flue gases as a source of bioenergy. *Energies* 2018;11:1–30. <https://doi.org/10.3390/en11030664>.
- [92] Arun S, Sinharoy A, Pakshirajan K, Lens PNL. Algae based microbial fuel cells for wastewater treatment and recovery of value-added products. *Renew Sustain Energy Rev* 2020;132:110041. <https://doi.org/10.1016/j.rser.2020.110041>.
- [93] Aswathi Mohan A, Robert Antony A, Greeshma K, Yun JH, Ramanan R, Kim HS. Algal biopolymers as sustainable resources for a net-zero carbon bioeconomy. *Bioresour Technol* 2022;344:126397. <https://doi.org/10.1016/j.biortech.2021.126397>.
- [94] Ayala-Parra P, Liu Y, Field JA, Sierra-Alvarez R. Nutrient recovery and biogas generation from the anaerobic digestion of waste biomass from algal biofuel production. *Renew Energy* 2017;108:410–6. <https://doi.org/10.1016/j.renene.2017.02.085>.
- [95] Lutz GA, Ciurli A, Chiellini C, Di Caprio F, Concas A, Dunford NT. Latest developments in wastewater treatment and biopolymer production by microalgae. *J Environ Chem Eng* 2021;9:104926. <https://doi.org/10.1016/j.jece.2020.104926>.
- [96] Karan H, Funk C, Grabert M, Oey M, Hankamer B. Green bioplastics as part of a circular bioeconomy. *Trends Plant Sci* 2019;24:237–49. <https://doi.org/10.1016/j.tplants.2018.11.010>.
- [97] Kartik A, Akhil D, Lakshmi D, Panchamoorthy Gopinath K, Arun J, Sivaramakrishnan R, et al. A critical review on production of biopolymers from algae biomass and their applications. *Bioresour Technol* 2021;329:124868. <https://doi.org/10.1016/j.biortech.2021.124868>.
- [98] Ziólkowski P, Stasiak K, Amiri M, Mikielawicz D. Negative carbon dioxide gas power plant integrated with gasification of sewage sludge. *Energy* 2023;262. <https://doi.org/10.1016/j.energy.2022.125496>.
- [99] Ziólkowski P, Badur J, Pawlak-Kruczek H, Stasiak K, Amiri M, Niedzwiecki L, et al. Mathematical modelling of gasification process of sewage sludge in reactor of negative CO₂ emission power plant. *Energy* 2022;244. <https://doi.org/10.1016/j.energy.2021.122601>.
- [100] Campanari S, Chiesa P, Manzolini G. CO₂ capture from combined cycles integrated with Molten Carbonate Fuel Cells. *Int J Greenh Gas Control* 2010;4:441–51. <https://doi.org/10.1016/j.ijggc.2009.11.007>.
- [101] Bonalumi D, Valenti G, Lillia S, Fosbøl PL, Thomsen K. A layout for the carbon capture with aqueous ammonia without salt precipitation. *Energy Proc* 2016;86:134–43. <https://doi.org/10.1016/j.egypro.2016.01.014>.
- [102] Vishwajeet, Pawlak-Kruczek H, Baranowski M, Czerep M, Chorążyczewski A, Krochmalny K, et al. Entrained flow plasma gasification of sewage sludge— proof-of-concept and fate of inorganics. *Energies* 2022;15. <https://doi.org/10.3390/en15051948>.
- [103] Wilk M, Magdziarz A, Gajek M, Zajemska M, Jayaraman K, Gokalp I. Combustion and kinetic parameters estimation of torrefied pine, acacia and *Miscanthus giganteus* using experimental and modelling techniques. *Bioresour Technol* 2017;243:304–14. <https://doi.org/10.1016/j.biortech.2017.06.116>.
- [104] Sławiński D, Ziólkowski P, Badur J. Thermal failure of a second rotor stage in heavy duty gas turbine. *Eng Fail Anal* 2020;115. <https://doi.org/10.1016/j.engfailanal.2020.104672>.
- [105] Badur J, Ziólkowski P, Sławiński D, Kornet S. An approach for estimation of water wall degradation within pulverized-coal boilers. *Energy* 2015;92:142–52. <https://doi.org/10.1016/j.energy.2015.04.061>.