

Article

Designing Control Strategies of Aeration System in Biological WWTP

Robert Piotrowski * and Tomasz Ujazdowski

Faculty of Electrical and Control Engineering, Gdańsk University of Technology, Narutowicza 11/12, 80-233 Gdańsk, Poland; tomek-ujazdowski@wp.pl

* Correspondence: robert.piotrowski@pg.edu.pl

Received: 2 June 2020; Accepted: 7 July 2020; Published: 14 July 2020



Abstract: The paper presents the complete design processes of novel aeration control systems in the SBR (sequencing batch reactor) wastewater treatment plant (WWTP). Due to large energy expense and a high influence on biological processes, the aeration system plays a key role in WWTP operation. The paper considers the aeration system for a biological WWTP located in the northeast of Poland. This system consists of blowers, the main collector pipeline, three aeration lines with different diameters and lengths, and diffusers. Classical control systems applied for this type of installation are based on PID (proportional–integral–derivative) controllers, the settings of which are often found experimentally. The article presents the optimization of these settings and the design of an alternative control algorithm—the fuzzy controller.

Keywords: wastewater treatment plant; SBR; nonlinear control system; fuzzy control system

1. Introduction

The development of civilization is accompanied by population growth, technology development, and the increased production of pollutants. In the past, there was no concern about pollutants discharged into the environment, but at present, environmental damage awareness and the desire to protect nature are gaining public recognition. One of the objects of concern in this area is the waste produced by cities and wastewater factories. In order to counteract the harmful effects of water pollution, sewage treatment plants are being built.

The wastewater treatment plant is a complex of facilities in which precisely defined mechanical, chemical, and biological processes take place to purify water. Several types of wastewater treatment plants (WWTPs) can be named. One of them is the flow WWTP, in which wastewater continuously flows past subsequent tanks, and is subject to individual processes in them. In this paper, 0a WWTP with a sequencing batch reactor (SBR) is the main focus.

The SBR is a reservoir in which purification processes occur cyclically using the biological activated sludge method. This method makes use of microorganisms, the metabolism of which absorbs organic pollutants. The activated sludge method requires the introduction of oxygen as a bio-oxidant of impurities. The SBR tank operates in the cycle that consists of five phases [1]:

1. Filling the SBR with sewage—untreated sewage is added to the tank with the already activated sludge from the previous sewage batch.
2. Aeration and mixing—the phase of growth of microorganisms and development of biological processes related to purification. This phase is the longest.
3. Sedimentation—the treated sewage accumulates in the upper part of the tank, while the activated sludge, microorganisms, and the untreated sewage remain at the bottom.
4. Decantation—draining of the clarified treated sewage into natural water tanks, rivers, or lakes.

5. Downtime—the shortest phase, during which the reactor awaits the start of a new cycle.

The definition of phases presented is simplified. The purification process requires the repeated succession of the filling and aeration phases. Phase 2 is the process of oxygenation of wastewater, and consists of variable aerobic and anaerobic periods. The removal of phosphorus and nitrogen from wastewater requires the alternation of aerobic and anaerobic conditions. Aerobic conditions are needed for the survival of most bacteria and micro-organisms, while the controlled anaerobic conditions are essential to remove these elements.

Ensuring an adequate level of dissolved DO oxygen is very important for the proper course of the purification process required to meet the determinants and standards for the content of chemical compounds in the purified water. A lack of oxygen causes the death of microorganisms that worsens the properties of activated sludge. This leads to a deterioration in the quality of treated wastewater. On the other hand, supplying too much oxygen increases the consumption of electricity needed to aerate wastewater, and thus the entire cost of the process. In general, DO control is very important for improving energy efficiency in the wastewater treatment plant, as the energy costs of the aeration process represent more than 50% of total operating costs [2].

Various DO control algorithms are described in the literature [3–14]. New solutions are intended to decrease energy consumption and improve the stability of particular process phases. However, the aeration system is left aside in those solutions. Complex nonlinear dynamics are compared to unit gain. According to the authors of this paper, ensuring good results of DO control also requires taking into consideration direct aeration control. A detailed analysis of the aeration system is given in [10]. This paper presents the design of the aeration control system, taking into account the dynamics of pipelines and blowers.

The paper is organized as follows. Section 2 provides a description of the WWTP case study, while Section 3 shows a mathematical model of the aeration system. Section 4 describes the process design of the fuzzy controller, and Section 5 analyzes the control results. Finally, Section 6 concludes the paper.

2. Description of WWTP

The WWTP located at Mątowskie Pastwiska (Northern Poland) was designed for purifying municipal sewage. In 2017, the plant was modernized, which included increasing its throughput and process automation. These goals were achieved by building new facilities (e.g., sewage pumping stations, technological buildings, SBRs), as well as adapting the existing ones (chambers, tanks, and pumping stations). A purification process control system was developed to ensure process automation. Currently, the Supervisory Control and Data Acquisition (SCADA) system is used to operate the control system, and control is carried out via PLC controllers. The sources of the delivered sewage include small commercial, educational, and production facilities, as well as households and boarding houses.

The schematic diagram of the WWTP case study is shown in Figure 1. The wastewater flows from municipal sewage pumping stations to the raw wastewater pumping stations in the treatment plant. Next, the raw wastewater undergoes a mechanical treatment process, after which it flows by gravity to an intermediate pumping station. Pumps located in the indirect pumping station are responsible for supplying the wastewater to the SBR, following the planned course of biological treatment processes. The biological processes intended to purify the activated sludge take place in SBR reactors. The level of dissolved oxygen (DO) required for these processes is provided by the blower station. The airflow is also responsible for mixing the contents in the SBR. Finally, the treated wastewater flows to the treated wastewater pumping station, and the excess sludge from the reactors is pumped into the oxygen stabilization tank. The stabilized sludge flows to the sludge dewatering station. In there, the dehydrated sludge and leachate are extracted and transported to the sewage pumping station. The sewage treatment plant also has a retention and averaging tank responsible for collecting wastewater in the event of breakdowns or long-term rainfall.

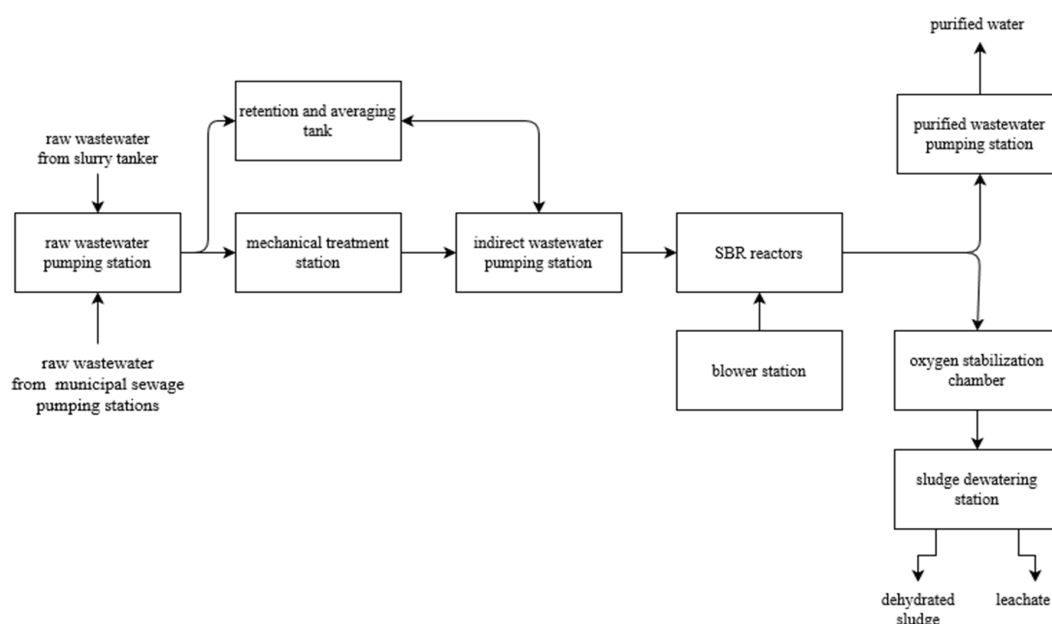


Figure 1. Schematic diagram of WWTP (wastewater treatment plant) at Matowskie Pastwiska.

WWTP is composed of two identical SBRs which operate independently of each other. Each SBR is equipped with a separate aeration system, which consists of a blower, membrane diffuser units, and pipeline. The schematic diagram of the aeration system is shown in Figure 2.

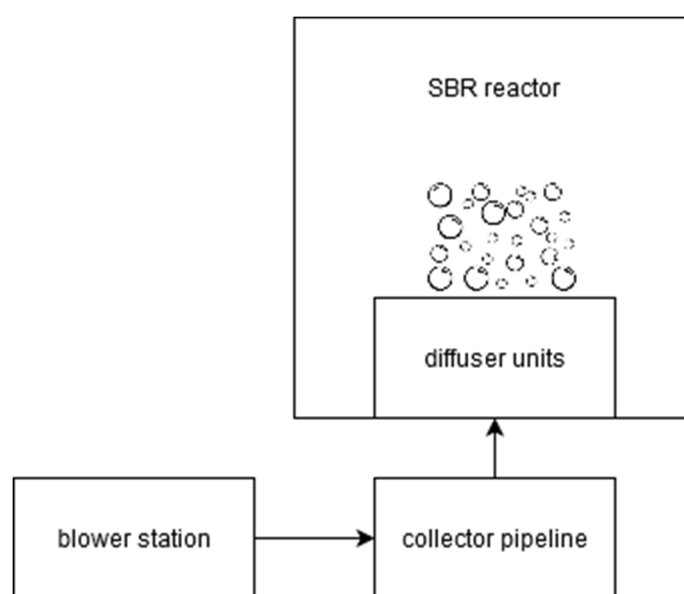


Figure 2. Schematic diagram of the aeration system.

Currently, the aeration system is controlled by means of a PID (proportional–integral–derivative) controller with experimentally selected settings [15]. The general form of the controller is presented as Equation (1), and the form including weights of the elements as Equation (2).

$$y = K_p \cdot \left[(b \cdot w - x) + \frac{1}{T_I} \cdot (w - x) + \frac{T_D \cdot s}{a \cdot T_D \cdot s + 1} \cdot (c \cdot w - x) \right] \quad (1)$$

where: y -control variable (CV), x -process variable (PV), w -setpoint (SP), s -Laplace operator, K_p -proportional gain, T_I -integral time, T_D -derivative time, and a , b , c -weights assigned to integrating,

proportional and differentiating sequences, respectively. The values assigned to particular variables are: $K_p = 5$, $T_I = 7$, $T_D = 0$, $a = 1$, $b = 1$, $c = 0.2$.

$$y = \left[5(w - x) + \frac{5}{7} \cdot (w - x) \right] \quad (2)$$

Such a selection of controller settings may generate a non-optimal control trajectory. Blowers can react too slowly or too rapidly to DO changes, causing oscillations. In each case, it leads to DO level disturbance in the reactor, with the resulting incorrect course of biological purification phases.

Figures 3 and 4 show the results of current DO control. Significant fluctuations and deviations from the DO setpoint can be observed. Figure 3 presents the historical data of two identical SBR reactors during a one day period. The data are presented as follows: for reactor 1, the DO level is marked with a purple shade and the frequency of blowers is marked with light blue shade, for reactor 2, the DO level is marked with a pink shade and the frequency of the blower is marked with a purple shade. Figure 4 shows the DO level controlling over two hours, for reactor 1, for the set value DO = 1.8 mg/L.

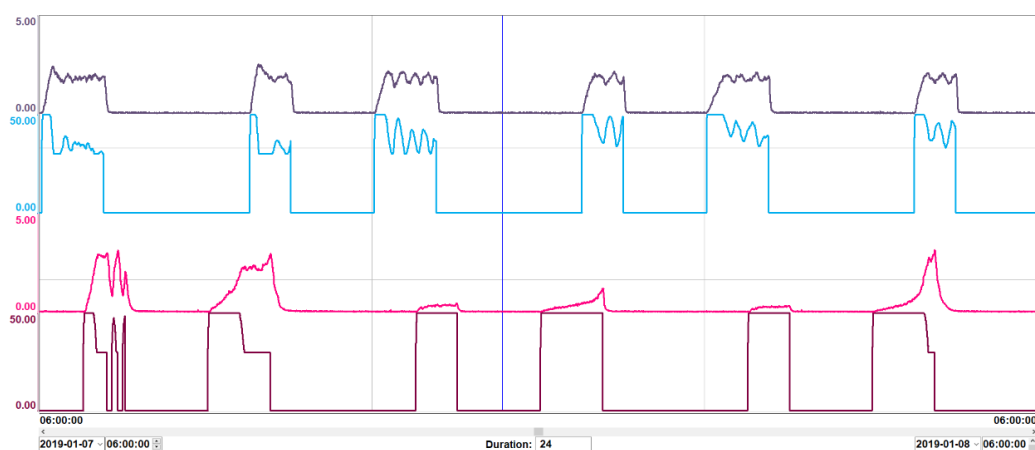


Figure 3. Historical data of dissolved oxygen (DO) [mg O₂/l] control [15].

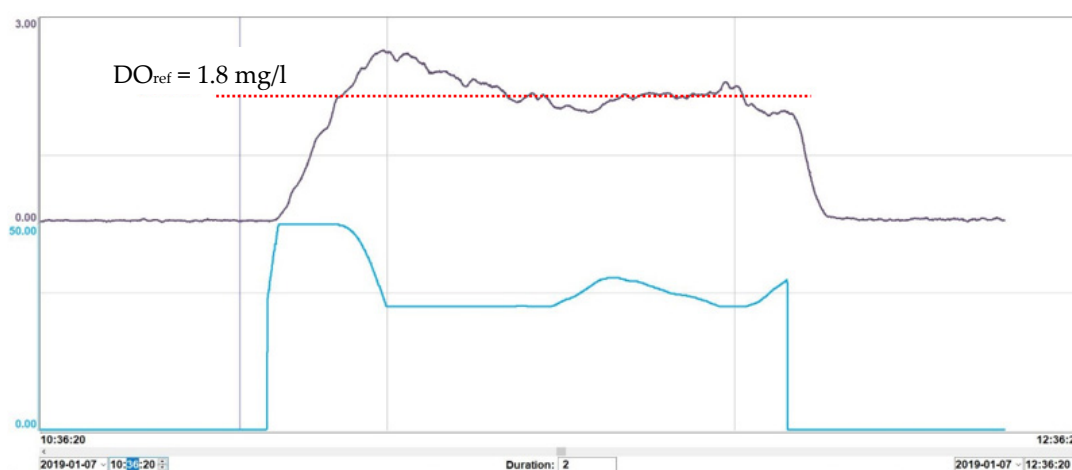


Figure 4. Historical data of DO [mg O₂/l] control—zoomed [15].

3. Aeration System Modelling

The structure of the aeration system model for control purposes was described in [16], while the general methodology of aeration system modelling was given in [17]. The aeration system model was divided into three subsystems (see Figure 2).

The circuit, which is an electrical analogy of the aeration system model, is shown in Figure 5. The blower is represented by a nonlinear current source with designations Q_b and Δp_b . Hydrostatic pressure is shown as the voltage source with pressure drop Δp_h . Resistor R_c corresponds to the total unit pressure loss along pipeline length, while the loss represented by R_z results from changes in pipe diameter. The pipeline is presented as total fluid flow capacitance C_c at node p_c . The aeration segment units are represented by resistance R_d and capacity C_d . The pressure loss across the diffuser is Δp_d .

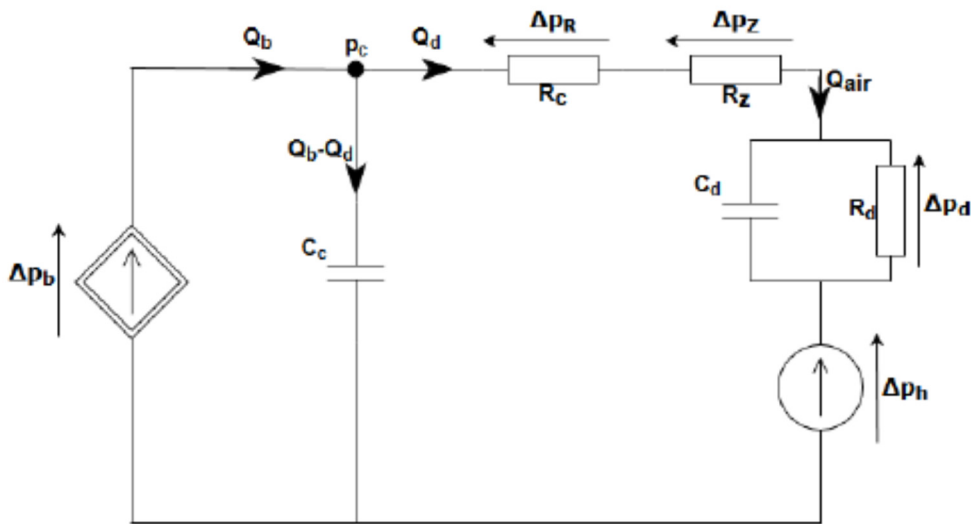


Figure 5. The electrical analogy of the aeration system model.

The blower station compresses air to assure appropriate pressure p_c in the pipeline. The blower operation was modelled based on the characteristics provided by the blower manufacturer. The current rotational speed and pressure were compared with the table of characteristic values, and the nearest elements, marked as indices, were selected.

The pipeline has a large fluid flow capacity that significantly changes the dynamics of the model. The air capacity of the pipeline is modelled as shown in Figure 6.

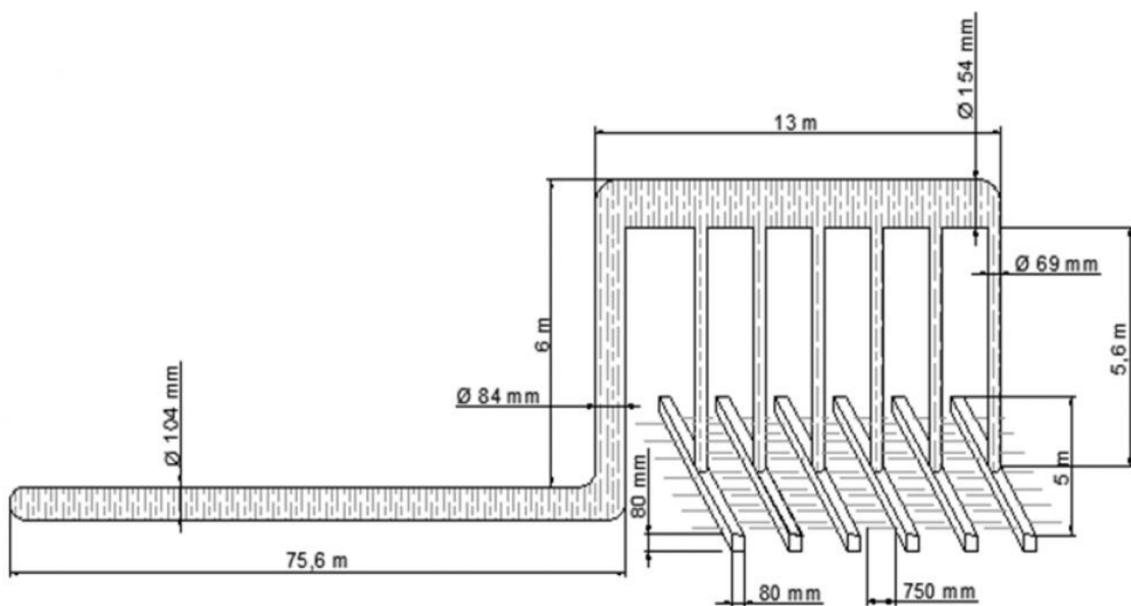


Figure 6. Schematic diagram of the pipeline.

The blower model is represented as a nonlinear function:

$$Q_b = f(p_c, n) \quad (3)$$

where Q_b , p_c , and n are the blower airflow output, pressure drop across the blower, and motor rotational speed, respectively.

The pressure change Δp_c in the pipeline depends mainly on pipeline capacity C_c , hydrostatic pressure Δp_h associated with filling the SBR tank, and pipeline pressure losses Δp_R and Δp_Z . The pressure drop Δp_d across the diffusers is treated as a receiver, and the power supply as a blower (Δp_b).

$$\Delta p_c = \Delta p_b - \Delta p_R - \Delta p_Z - \Delta p_h - \Delta p_d \quad (4)$$

The air capacity of the pipeline can be given as:

$$C_c = k_c V_c p_c \quad (5)$$

where V_c is the total volume of the pipeline, p_c is the gas pressure inside the pipeline, and k_c is the unit conversion coefficient. The total volume of the pipeline is obtained as the sum of five pipeline segments of different lengths and cross-sections:

$$V_c = V_1 + V_2 + V_3 + V_4 + V_5 \quad (6)$$

$$V_i = \pi \cdot \left(\frac{d_i}{2}\right)^2 \cdot l_i ; i \in \{1, 2, 3, 4, 5\} \quad (7)$$

The pressure change in the pipeline is achieved using the principle of mass conservation at pipeline node:

$$\frac{dp_c}{dt} = \frac{1}{C_c} \cdot (Q_b - Q_{air}) \quad (8)$$

The pressure loss occurring in the pipeline can be described as the sum of three elements: unit linear pressure loss over a specified section (presented as Δp_R in Equation (9)), local pressure loss due to changes in the pipe cross-section (presented as Δp_Z in Equation (11)), and pressure loss due to height difference (presented as Δp_H in Equation (13)). Pressure losses caused by pipelines elbows have been neglected due to their low impact. The unit linear pressure loss depends on the cross-section of the pipeline, as well as on gas density and the flow value. This loss was modelled according to the Renouard formula [18]:

$$\Delta p_R = 0.776457 \cdot 10^{-8} \cdot \rho \cdot \frac{V^{1.82}}{D^{4.82}} \quad (9)$$

where V is the mass airflow, D is the pipeline diameter and ρ is the gas density. The individual gas constant for air, equal to $r = 287.05$ J/kgK, and temperature T were applied to calculate the density:

$$p_c / r T \quad (10)$$

The local pressure loss is caused by the influence of the Reynolds number on the value of the local resistance coefficient ξ and gas flow speed w . This relation is given by Equation (11), with ξ defined as (12):

$$\Delta p_Z = \sum \xi_j \cdot \frac{\rho}{2} \cdot w^2 ; j \in \{1, 2, 3, 4\} \quad (11)$$

$$\xi_j = \left(1 - \frac{A_j}{A_{j+1}}\right)^2 ; j \in \{1, 2, 3, 4\} \quad (12)$$

where A_j and A_{j+1} are the pipe cross-section areas before and after narrowing, respectively.

The pressure loss caused by the difference in levels significantly affects pipelines with large altitude changes and low gas pressures. The vertical sections of these pipelines are exposed to pressure changes depending on the density difference between the flowing medium and the air under standard conditions, $\rho_p = 1.225 \text{ kg/m}^3$, according to the equation:

$$\Delta p_H = g \Delta H (\rho - \rho_p) \quad (13)$$

Due to small height changes in the examined pipeline, the pressure loss caused by the difference of levels has been neglected.

In the steady-state, the open diffuser airflow–pressure drop relation is described by a nonlinear function:

$$Q_{air} = \begin{cases} 0 & \text{for } \Delta p_c < p_{min} \\ f(\Delta p_c) & \text{for } \Delta p_c \geq p_{min} \end{cases} \quad (14)$$

The characteristic obtained from the manufacturer's data is described by a nonlinear function, with which the diffuser airflow dynamics can be described as:

$$Q_{air} = a_1 \cdot \Delta p_c^4 + a_2 \Delta p_c^3 + a_3 \Delta p_c^2 + a_4 \cdot \Delta p_c + a_5 \quad (15)$$

where $a_1 = -0.3484$, $a_2 = 7.1474$, $a_3 = 53.5072$, $a_4 = 178.1669$, $a_5 = -223.0322$.

4. Design of Control Systems

In practice, WWTPs make use of simple control algorithms based on internal PI controllers of PLC systems. Algorithms comprising the PI family are designed to control linear processes. Using them to control the non-linear dynamics of DO and the aeration system does not bring, as a rule, satisfying results. Ensuring better control to reduce operating costs requires the optimization of controller settings at a work point and/or the use of advanced control techniques. The process of optimizing PID controller settings is presented in Section 4.1, while Section 4.2 shows the design process of a fuzzy controller for aeration system control purposes.

4.1. Optimization of PID Controller

The simplest action to improve the operation of the aeration system is to optimize the blower controller settings in the vicinity of the work point. In this study, the optimization was performed using the objective function, based on the integral qualitative criteria of the controller. The decision variables considered in the optimization process were the settings K_p , K_i , and K_d of the PID algorithm with the following structure:

$$u(t) = K_p \cdot e(t) + K_i \cdot \int_0^\infty (e(t)dt) + K_d \cdot \frac{de(t)}{dt} \quad (16)$$

The integral of absolute error (IAE) was chosen as the optimization criterion:

$$IAE = \min \int_0^\infty |e(t)|dt \quad (17)$$

Due to the capacitive nature of system dynamics, an anti-windup filter was applied. The optimization was carried out using the global minimum search algorithm for the blower speed setpoint level jump from 0 to the operating point. The non-linear characteristic of system dynamics means that local maxima and minima of the objective function may occur. To protect the algorithm from getting stuck at a local point, the global minimum of the objective function was used. The settings found by the optimization method are: $K_p = 2.773$, $K_i = 5.292$, and $K_d = 1.168$. A significant difference between the set values is visible—attention should also be paid to the difference in the structure of PID algorithms.

4.2. Design of Fuzzy Control Algorithm

With a fuzzy control system, several human activities, for instance, those of the operator or process technologist, can be emulated by the system, based on the knowledge base described by the rules of the fuzzy model. In addition to the knowledge base, the system also contains an extensive database, through which the input and output data are associated with the rules contained in the knowledge base. Fuzzy control works very well to control processes that cannot be easily described in the form of differential equations.

The Mamdani-type fuzzy linguistic model was applied to design the controller. The minimum operator was used as the method of logical sum (AND) and implications, while the logical alternative (OR) and aggregation were obtained using the maximum operator. The numerical form of the result of the controller's operation was obtained using the centroid of area defuzzification method.

In the first phase of fuzzy controller designing, the error value and the error signal derivative were treated as input variables to the control system. The fuzzy controller output, interpreted as the blower speed change rate, was passed to the integrating member to obtain the blower speed. Tables 1–4 present membership functions, conclusions, and linguistic principles.

Table 1. The first version of the controller–error.

Linguistic Variable–Error (e)						
	Linguistic Value		Membership Function	Characteristic Points		
1	large negative	LN	Gaussian function	0.1415	–1	
2	medium negative	MN	Gaussian function	0.1415	–0.66	
3	small negative	SN	symmetrical triangular	–0.66	–0.33	–0.01
4	about zero	Z	symmetrical triangular	–0.01	0	0.01
5	small positive	SP	symmetrical triangular	0.01	0.33	0.66
6	medium positive	MP	Gaussian function	0.1415	0.66	
7	large positive	LP	Gaussian function	0.1415	1	

Table 2. The first version of the controller–error derivative.

Linguistic Variable–Error Derivative (de/dt)						
	Linguistic Value		Membership Function	Characteristic Points		
1	negative	N	symmetrical triangular	–2	–1	0
2	zero	Z	symmetrical triangular	0	0	0
3	positive	P	symmetrical triangular	0	1	2

Table 3. The first version of the controller–control value.

Linguistic Variable–Control Value (u)						
	Linguistic Value		Membership Function	Characteristic Points		
1	large negative	LN	asymmetrical triangular	–100	–100	–50
2	medium negative	MN	symmetrical triangular	–65	–40	–15
3	small negative	SN	asymmetrical triangular	–20	–1	–0.1
4	about zero	Z	symmetrical triangular	–0.1	0	0.1
5	small positive	SP	asymmetrical triangular	0.1	1	20
6	medium positive	MP	symmetrical triangular	15	40	65
7	large positive	LP	asymmetrical triangular	50	100	100

Table 4. The first version of the controller–rules.

R1: IF (e == LN) THEN (u = LN)
R2: IF (e == MN) THEN (u = MN)
R3: IF (e == SN) THEN (u = SN)
R4: IF (e == Z) THEN (u = Z)
R5: IF (e == SP) THEN (u = SP)
R6: IF (e == MP) THEN (u = MP)
R7: IF (e == LP) THEN (u = LP)
R8: IF (e == Z) AND (de/dt == N) THEN (u = SP)
R9: IF (e == Z) AND (de/dt == P) THEN (u = SN)

Simulation tests of the first version of the controller for the step signal are shown in Figure 7. The setpoint (reference) Q_{air} is designated as SP and the process value Q_{air} as PV.

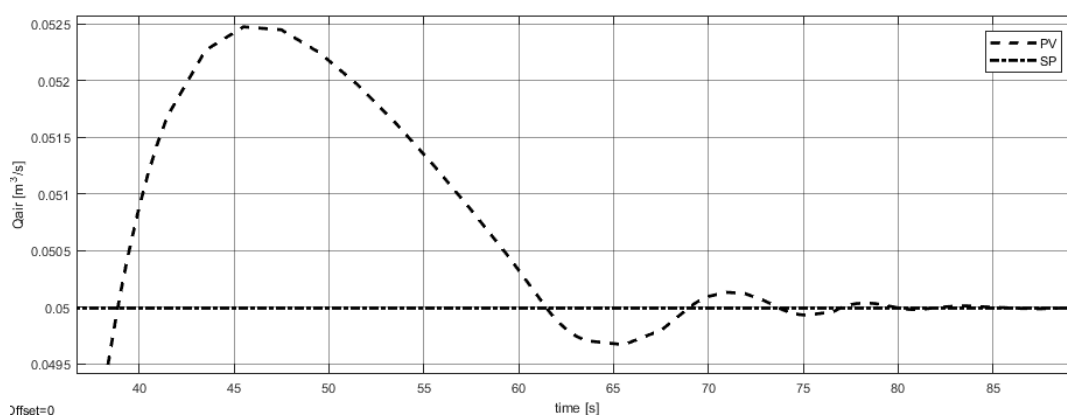


Figure 7. Step response of the first fuzzy control system.

Fading oscillations and significant overshoot are observed in the step response of the first controller version. The control quality is unsatisfactory. The operation of the first control algorithm has also revealed that two operation modes are needed: (1) operation under normal conditions for the operating point, and (2) operation in start-up states of the aeration system. The latter mode means a condition that occurs after service work or extended downtime, and is characterized by a significant delay between the increase in blower speed, and reaching the minimum pressure in diffusers.

As a result of the introduction of two separate operating states in the second version of the controller, the number of inputs was increased by two new variables: the controlled signal Q_{air_PV} , and the set value Q_{air_SP} . This approach allowed the initial rotation speed to be selected in such a way as to meet DO requirements during the blower start-up.

An attempt was made to reduce overshoot and oscillations by adding additional linguistic values in the error premise. Tables 5–10 present membership functions, conclusions, and linguistic principles.

Table 5. The second version of the controller– Q_{air_PV} .

Linguistic Variable–Process Value (Q_{air_PV})				
	Linguistic Value		Membership Function	Characteristic Points
1	zero	Z	Singleton	0

Table 6. The second version of the controller– Q_{air_SP} .

Linguistic Variable–Setpoint (Q_{air_SP})						
	Linguistic Value		Membership Function	Characteristic Points		
1	medium	M	symmetrical triangular	0.035	0.055	0.075
2	large	L	symmetrical triangular	0.065	0.085	0.105

Table 7. The second version of the controller–error.

Linguistic Variable–Error (e)						
	Linguistic Value		Membership Function	Characteristic Points		
1	large negative	LN	asymmetrical triangular	–1	–1	–0.75
2	large–medium negative	LMN	Gaussian function	0.09	–0.6	
3	medium negative	MN	Gaussian function	0.06	–0.35	
4	medium–small negative	MSN	symmetrical triangular	–0.22	–0.155	–0.08
5	small negative	SN	symmetrical triangular	–0.085	–0.03	-1×10^{-4}
6	zero	Z	singleton	0		
7	small positive	SP	symmetrical triangular	1×10^{-4}	0.03	0.085
8	medium–small positive	MSP	symmetrical triangular	0.08	0.155	0.22
9	medium positive	MP	Gaussian function	0.06	0.35	
10	large–medium positive	LMP	Gaussian function	0.09	0.6	–0.08
11	large positive	LP	asymmetrical triangular	0.75	1	1

Table 8. The second version of the controller–error derivative.

Linguistic Variable–Error Derivative (de/dt)						
	Linguistic Value		Membership Function	Characteristic Points		
1	negative	N	Z-shaped	–0.1	–1	1×10^{-5}
2	zero	Z	symmetrical triangular	-1×10^{-5}	0	
3	positive	P	S-shaped	1×10^{-5}	0.1	

Table 9. The second version of the controller–control value.

Linguistic Variable–Control Value (u)						
	Linguistic Value		Membership Function	Characteristic Points		
1	large negative	LN	singleton	–100		
2	large-medium negative	LMN	Gaussian function	6.4	–50	
3	medium negative	MN	Gaussian function	2.13	–20	
4	medium-small negative	MSN	symmetrical triangular	–12	–10	–8
5	small negative	SN	symmetrical triangular	–8	–6	–4
6	super small negative	SSN	singleton	–2		
7	Zero	Z	singleton	0		
8	super small positive	SSN	singleton	2		
9	small positive	SP	symmetrical triangular	4	6	8
10	medium-small positive	MSP	symmetrical triangular	8	10	12
11	medium positive	MP	Gaussian function	2.13	20	
12	large-medium positive	LMP	Gaussian function	6.4	50	
13	large positive	LP	singleton	100		

Table 10. The second version of the controller–rules.

R1: IF (Qair_PV == Z) & (Qair_SP == M) => (u = PSM)
R2: IF (Qair_PV == Z) & (Qair_SP == L) => (u = PL)
R3: IF (e == LN) AND (Qair_PV! = 0) THEN (u = LN)
R4: IF (e == LMN) AND (Qair_PV! = 0) THEN (u = LMN)
R5: IF (e == MN) AND (Qair_PV! = 0) THEN (u = MN)
R6: IF (e == MSN) AND (Qair_PV! = 0) THEN (u = MSN)
R7: IF (e == SN) AND (Qair_PV! = 0) THEN (u = SN)
R8: IF (e == Z) AND (Qair_PV! = 0) THEN (u = Z)
R9: IF (e == SP) AND (Qair_PV! = 0) THEN (u = SP)
R10: IF (e == MSP) AND (Qair_PV! = 0) THEN (u = MSP)
R11: IF (e == MP) AND (Qair_PV! = 0) THEN (u = MP)

Table 10. Cont.

R12: IF (e == LMP) AND (Qair_PV! = 0) THEN (u = LMP)
R13: IF (e == LP) AND (Qair_PV! = 0) THEN (u = LP)
R14: IF (e == PS) AND (de/dt == N) AND (Qair_PV! = 0) THEN (u = SP)
R15: IF (e == NS) AND (de/dt == P) AND (Qair_PV! = 0) THEN (u = SN)

The second version of the controller is characterized by the lack of oscillation, but the observed overshoot is greater than in the first case. Improvement was achieved in the context of a smooth control signal, but no improvement in the quality of control–error. Its step response is shown in Figure 8.

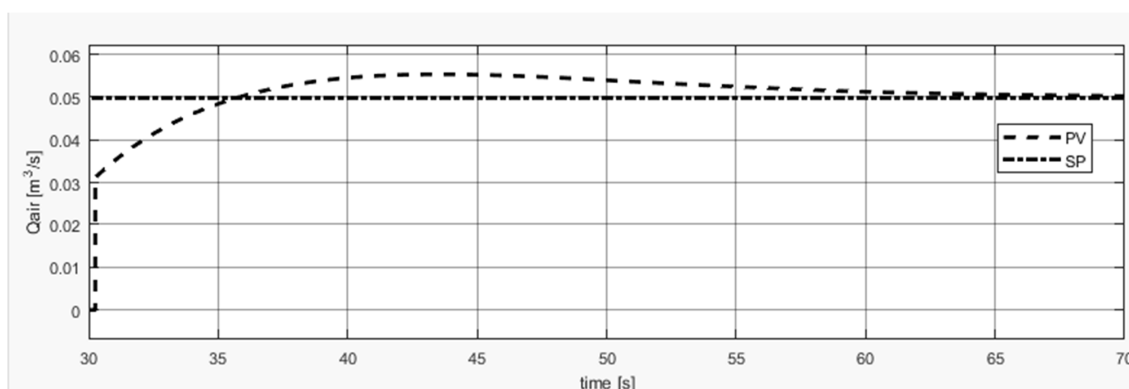


Figure 8. Step response of the second fuzzy control system.

Further development of the fuzzy controller included, among others, the improvement of numerical stability by using the dead band function for individual signals, adding amplification of error signals and derivative, and changing the rules of the fuzzy controller. The third version of the controller abandoned the concentration of membership functions by assigning separate (slightly overlapping) numerical values to them. Some elements of the second version of the controller (see Tables 5 and 6) were also used. The structure of the control system is presented in Figure 9, while the details of the fuzzy controller are shown in Figure 10.

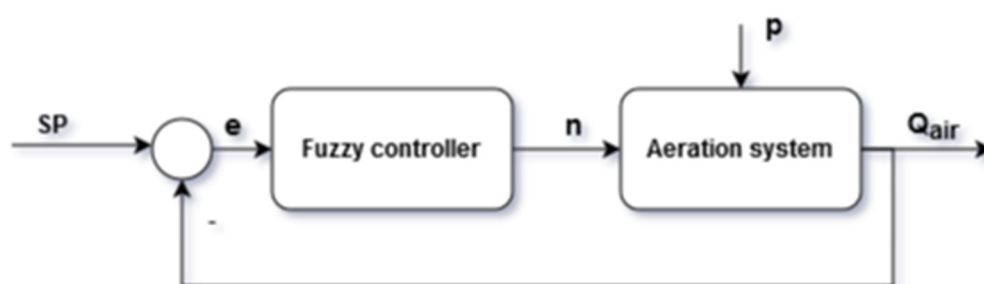


Figure 9. Structure of the control system.

The aeration control system acts as a subsystem of the entire DO control system in SBR. The output value of the Q_{air} aeration system is the input value to the system which is the SBR tank. The set value (reference value) of the aerated system, denoted as SP, is the output value resulting from the DO control process.

The presented structure of the fuzzy controller consists of a block containing fuzzy logic and defuzzification methods, and input signal processing blocks. The dead band block used in the error derivative track is intended to limit the controller's operation for very small error values. This ensures faster operation and numerical stability of the algorithm in the event of interference. The error and

derivative error gain blocks allow to adjust the range of fuzzy variables without having to interfere with the values of linguistic variables.

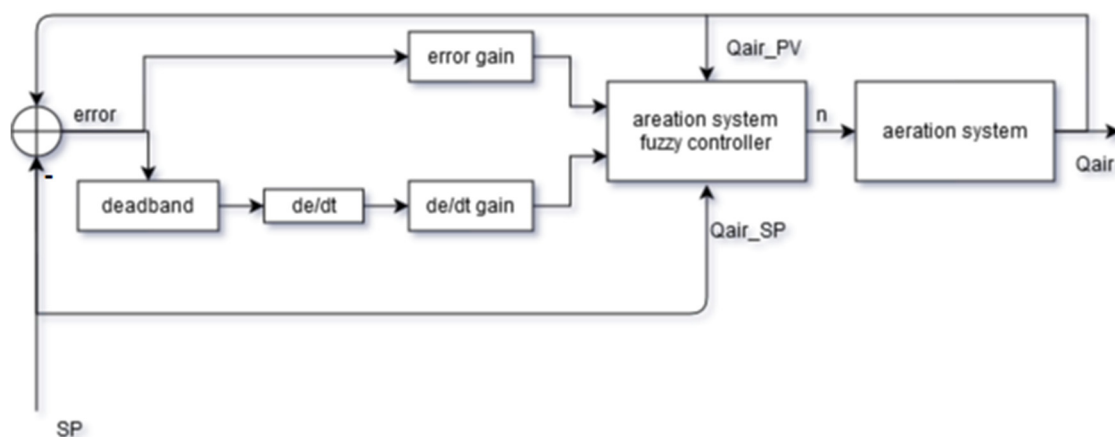


Figure 10. The final structure of the fuzzy controller.

Tables 11–14 present membership functions, conclusions, and linguistic principles.

Table 11. The third version of the controller–error.

Linguistic Variable–Error (e)						
	Linguistic Value		Membership Function	Characteristic Points		
1	medium negative	MN	Z-shaped	−1	−0.5	
2	small negative	SN	symmetrical triangular	−1	−0.5	0
3	about zero	Z	symmetrical triangular	−0.5	0	0.5
4	small positive	SP	symmetrical triangular	0	0.5	1
5	medium positive	MP	S-shaped	0.5	1	

Table 12. The third version of the controller–error derivative.

Linguistic Variable–Error Derivative (de/dt)						
	Linguistic Value		Membership Function	Characteristic Points		
1	medium negative	MN	Z-shaped	−1	−0.5	
2	small negative	SN	symmetrical triangular	−1	−0.5	0
3	about zero	Z	symmetrical triangular	−0.5	0	0.5
4	small positive	SP	symmetrical triangular	0	0.5	1
5	medium positive	MP	S-shaped	0.5	1	

Table 13. The third version of the controller–control value.

Linguistic Variable–Control Value (u)						
	Linguistic Value		Membership Function	Characteristic Points		
1	medium negative	MN	Z-shaped	−100	−50	
2	small negative	SN	symmetrical triangular	−100	−50	0
3	about zero	Z	symmetrical triangular	−50	0	50
4	small positive	SP	symmetrical triangular	0	50	100
5	medium positive	MP	S-shaped	50	100	
6	medium CV	MU	Gaussian function	3.1	11.2	
7	large CV	LU	singleton	100		

Table 14. The third version of the controller–rules.

R1: IF (Qair_PV == Z) & (Qair_SP == M) => (u = MU)
R2: IF (Qair_PV == Z) & (Qair_SP == L) => (u = LU)

Additional new rules 3 to 27 are presented in another form in Table 15.

Table 15. The third version of the controller—additional rules.

		Error Derivative-de/dt				
		NM	NS	Z	PS	PM
error-e	NM	NM	NS	Z	PS	PM
	NS	NM	NS	Z	PS	PM
	Z	NS	NS	Z	PS	PM
	PS	NS	Z	PS	PS	PM
	PM	Z	PS	PS	PM	PM

Simulation tests of the third version of the fuzzy controller were carried out. The results of the adjustment were considered to be satisfactory. Figure 11 shows the step response of the final version of the control system, while Figure 12 compares the step responses of different versions of fuzzy control systems. The improvement of the algorithm is very clearly visible.

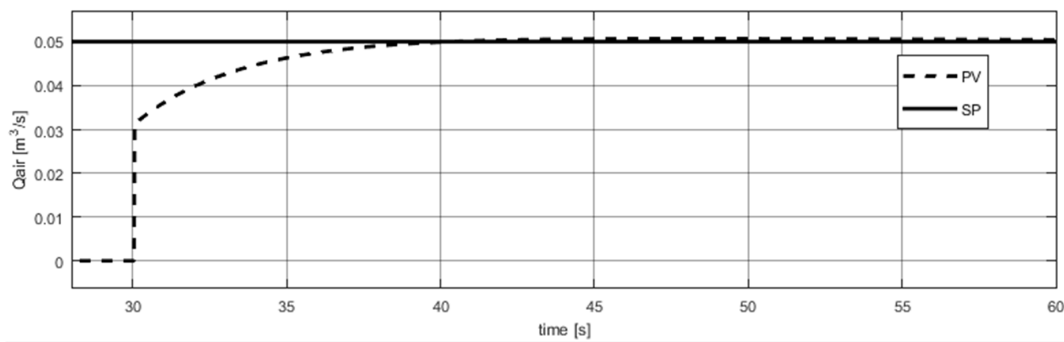


Figure 11. Step response of the third fuzzy control system.

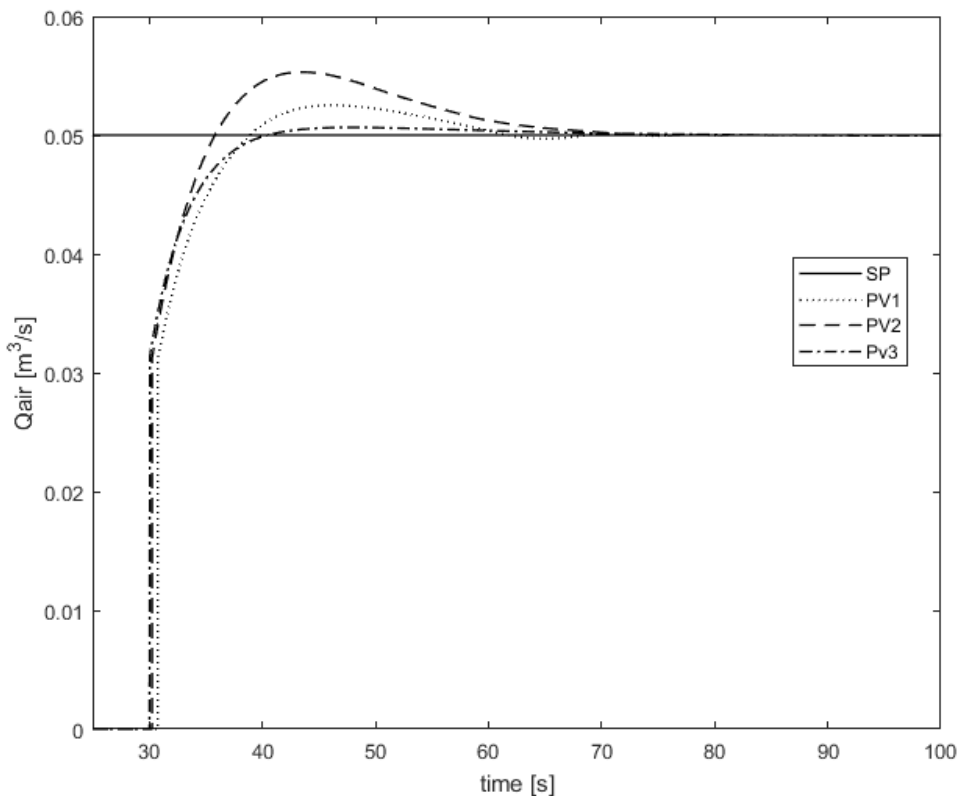


Figure 12. Comparison of different versions of fuzzy control systems.

5. Comparison of Control Results

The controllers' actions were simulated for a fixed set point, and for a sequence of setpoint changes. The control results are shown in Figures 13–16. The PI controller with experimentally selected settings achieved the worst results (PI). The PID controller with anti-windup and the optimization of settings (PID-O) was the fastest to reach the set point (SP) and had less overshoot than the PI controller, but longer oscillations of the control signal were recorded in this case. The control system with fuzzy controller (Fuzzy) is characterized by the lack of overshoot and a smoothly rising control signal without oscillation. The time at which the fuzzy controller reaches the set value does not differ significantly from that of the remaining controllers.

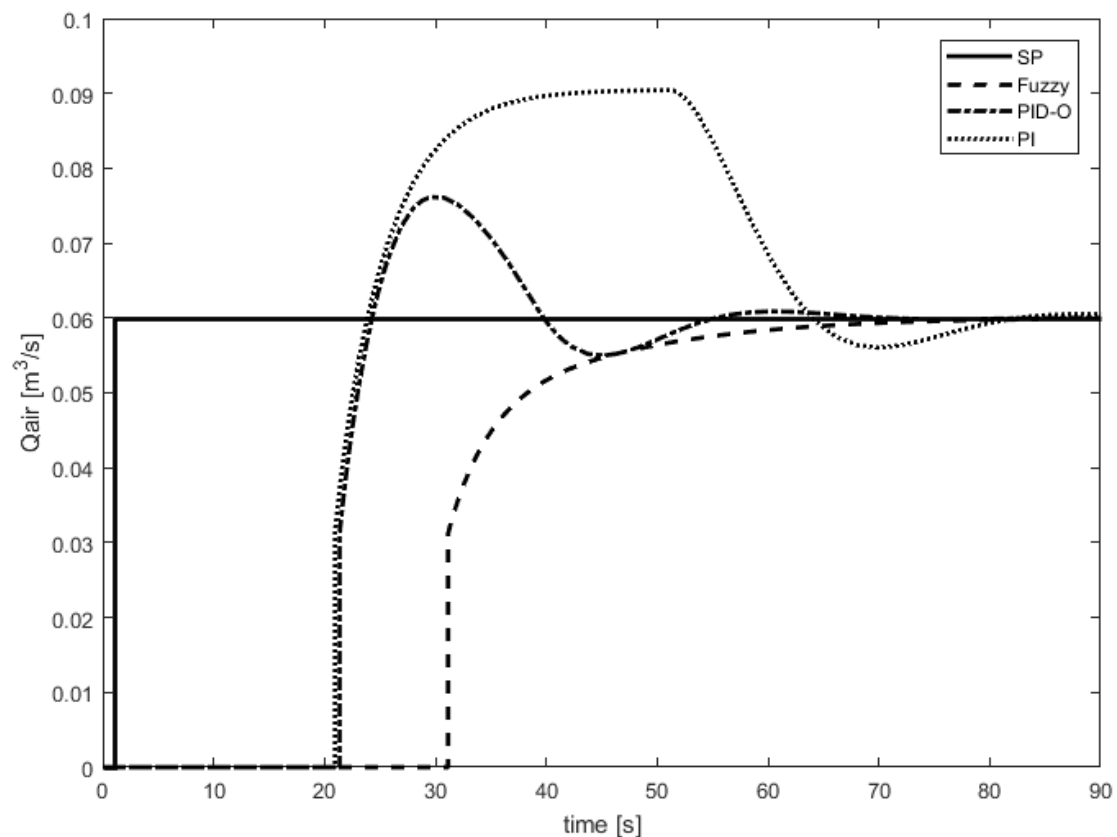


Figure 13. Comparison of control methods— Q_{air} .

The fuzzy controller has a slightly worse settling time than the PID-O algorithms, however, it achieves significant improvement in the context of the minimum energy criterion. For the 5% settling time criterion, the PID-O controller time is 49s, Fuzzy–53s and PID–73s. For the 2% settling time criterion, the PID-O controller time is 53s, Fuzzy–63s, PID–78s. The extended adjustment time of the fuzzy approach is associated with the minimum opening pressure of the diffusers taking a longer time. In summary, the proposed novel control system with fuzzy controller allows to: increase the efficiency, improve the quality of outflow, and reduce the cost of aeration, compared to the solutions currently applied in the case study plant.

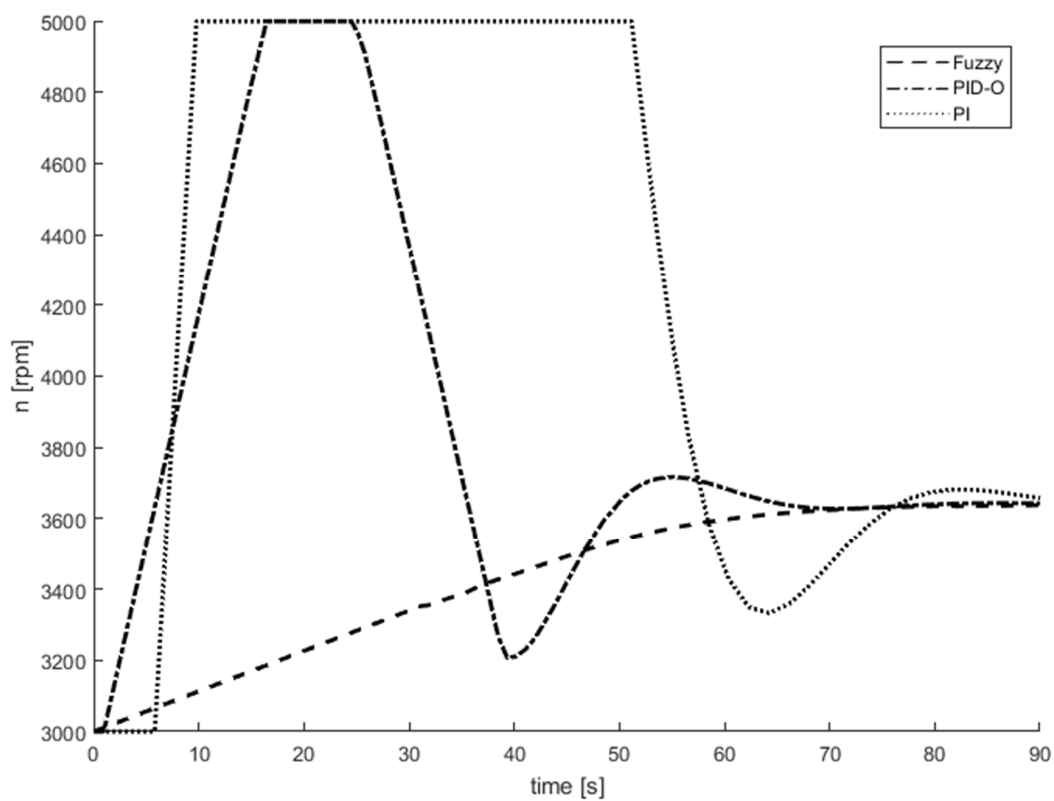


Figure 14. Comparison of control methods— n .

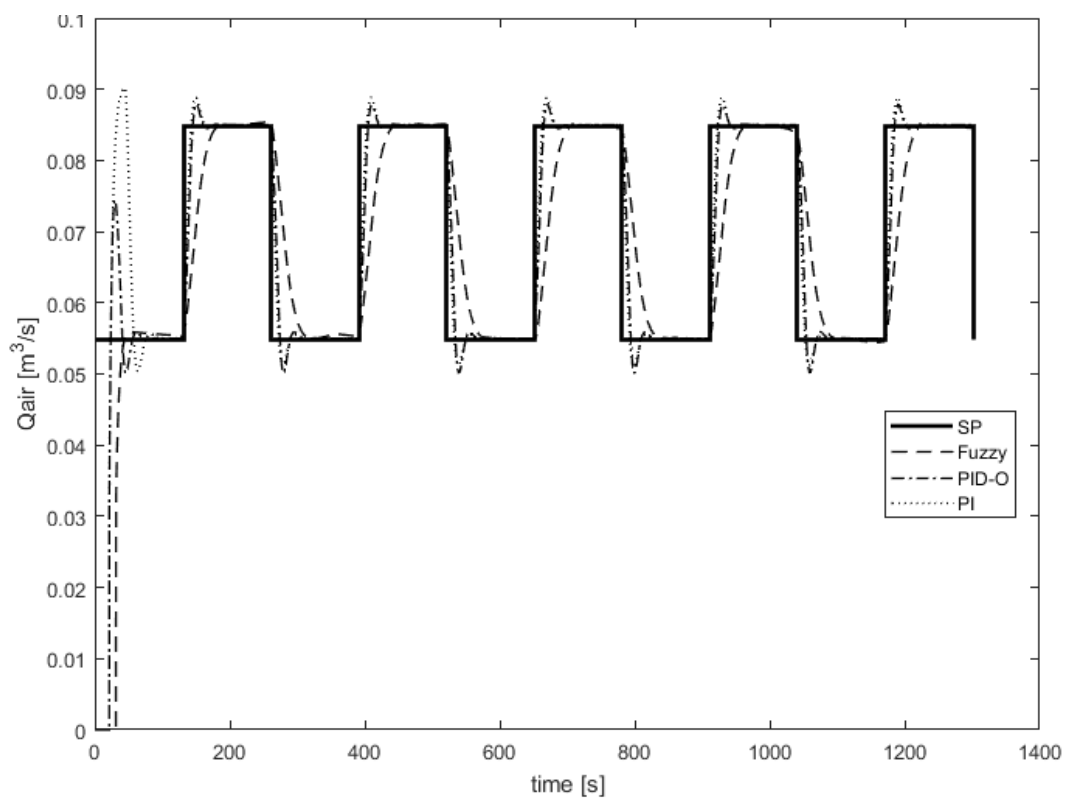


Figure 15. Comparison of control methods— Q_{air} .

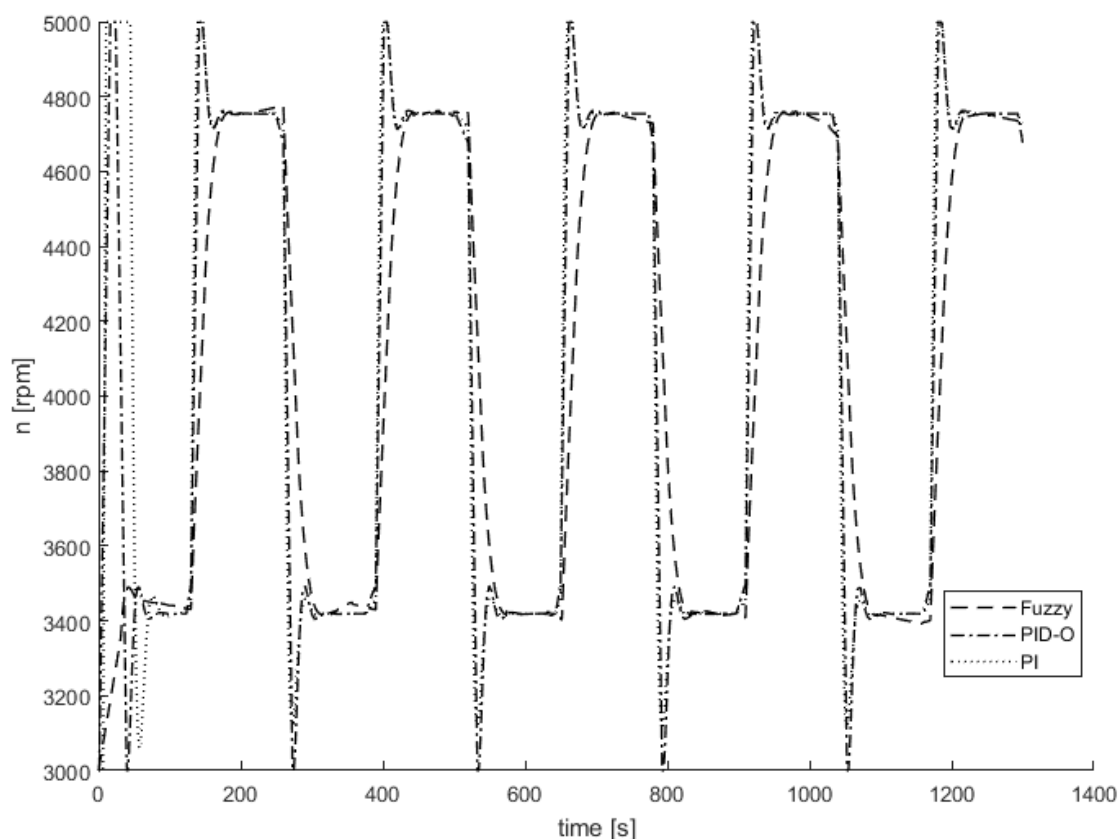


Figure 16. Comparison of control methods— n .

6. Conclusions

SBR installations are widely used in WWTPs, due to their considerable operational flexibility. The operating costs of this purification method mainly depend on whether an adequate DO value is ensured or not. Therefore, for the proper operation of the WWTP, extensive technological knowledge of biochemical reactions taking place during the entire treatment process is required, along with a properly designed control system. The use of optimization methods or advanced control algorithms has a positive impact on the quality of the treated wastewater and economic conditions of the entire installation. Considering the operation of aeration systems, especially blowers, is of key importance at the stage of minimizing operating costs. The work of the fuzzy controller ensures, above all, a smooth characteristic of blower speed, which not only decreases the blower's operating costs, but also slows down the wear of the device. The iterative design process presented in the article allowed for the implementation of a stable fuzzy controller, with an overshoot of less than 1%. The fuzzy controller has a slightly worse settling time than the PID-O algorithms, however, it achieves significant improvement in the context of the minimum energy criterion. The extended adjustment time of the fuzzy approach is associated with a longer achievement of the minimum opening pressure of the diffusers. The improvement of this aspect will be the goal of further research. The use of the dead band resulted in improved numerical stability, simultaneously maintaining a minimal impact on the steady-state offset value. The presented control algorithm can work in a cascade arrangement with a DO controller.

Author Contributions: These authors contributed equally to the work. All authors have read and agreed to the published version of the manuscript.

Funding: This research received no external funding.

Conflicts of Interest: The authors declare no conflict of interest.

References

1. Wilderer, P.A.; Irvine, R.L.; Goronszy, M. *Sequencing Batch Reactor Technology, Scientific and Technical Report No. 10*; IWA Publishing: London, UK, 2001.
2. Jenkins, T.E. *Aeration Control System Design. A Practical Guide to Energy and Process Optimization*; John Wiley & Sons: Hoboken, NJ, USA, 2013.
3. Piotrowski, R.; Paul, A.; Lewandowski, M. Improving SBR performance alongside with cost reduction through optimization of biological processes and dissolved oxygen concentration trajectory. *Appl. Sci.* **2019**, *9*, 2268. [[CrossRef](#)]
4. Piotrowski, R.; Lewandowski, M.; Paul, A. Mixed integer nonlinear optimization of biological processes in wastewater sequencing batch reactor. *J. Process Control* **2019**, *84*, 89–100. [[CrossRef](#)]
5. Wahab, N.A.; Katebi, R.; Balderud, J. Multivariable PID control design for activated sludge process with nitrification and denitrification. *Biochem. Eng. J.* **2009**, *45*, 239–248. [[CrossRef](#)]
6. Åmand, L.; Carlsson, B. Optimal aeration control in a nitrifying activated sludge process. *Water Res.* **2012**, *46*, 2101–2110. [[CrossRef](#)] [[PubMed](#)]
7. Yang, T.; Qiu, W.; Ma, Y.; Chadli, M.; Zhang, L. Fuzzy model-based predictive control of dissolved oxygen in activated sludge processes. *Neurocomputing* **2014**, *136*, 88–95. [[CrossRef](#)]
8. Belchior, C.A.C.; Araújo, R.A.M.; Landeck, J.A.C. Dissolved oxygen control of the activated sludge wastewater treatment process using stable adaptive fuzzy control. *Comput. Chem. Eng.* **2012**, *37*, 152–162. [[CrossRef](#)]
9. Błaszkiwicz, K.; Piotrowski, R.; Duzinkiewicz, K. A Model-Based Improved Control of Dissolved Oxygen Concentration in Sequencing Wastewater Batch Reactor. *Stud. Inform. Control* **2014**, *23*, 323–332. [[CrossRef](#)]
10. Piotrowski, R. Two-Level Multivariable Control System of Dissolved Oxygen Tracking and Aeration System for Activated Sludge Processes. *Water Environ. Res.* **2015**, *87*, 3–13. [[CrossRef](#)] [[PubMed](#)]
11. Jujun, R.; Chao, Z.; Ya, L.; Peiyi, L.; Zaizhi, Y.; Xiaohong, C.; Mingzhi, H.; Tao, Z. Improving the efficiency of dissolved oxygen control using an on-line control system based on a genetic algorithm evolving FWNN software sensor. *J. Environ. Manag.* **2017**, *187*, 550–559.
12. Mulas, M.; Tronci, S.; Corona, F.; Haimi, H.; Lindell, P.; Heinonen, M.; Vahala, R.; Baratti, R. Predictive control of an activated sludge process: An application to the Viikinmäki wastewater treatment plant. *J. Process Control* **2015**, *35*, 89–100. [[CrossRef](#)]
13. Piotrowski, R.; Skiba, A. Nonlinear Fuzzy Control System for Dissolved Oxygen with Aeration System in Sequencing Batch Reactor. *Inf. Technol. Control* **2015**, *44*, 182–195. [[CrossRef](#)]
14. Du, X.; Wang, J.; Jegatheesan, V.; Shi, G. Dissolved Oxygen Control in Activated Sludge Process Using a Neural Network-Based Adaptive PID Algorithm. *Appl. Sci.* **2018**, *8*, 261. [[CrossRef](#)]
15. Zieliński, M. Hardware Implementation of Control Systems in the Wastewater Treatment Plant Type SBR. Master's Thesis, Gdansk University of Technology, Faculty of Electrical and Control Engineering, Gdansk, Poland, 2018. (In Polish).
16. Piotrowski, R.; Ujazdowski, T. Model of aeration system at biological wastewater treatment plant for control design purposes. In Proceedings of the 20th Polish Control Conference—KKA'2020, Łódź, Poland, 14–16 October 2020.
17. Krawczyk, W.; Piotrowski, R.; Brdyś, M.A.; Chotkowski, W. Modelling and identification of aeration systems for model predictive control of dissolved oxygen—Swarzewo wastewater treatment plant case study. In Proceedings of the 10th IFAC Symposium on Computer Applications in Biotechnology, Cancun, Mexico, 4–6 June 2007.
18. Renouard, M.P. Nouvelles règles à calcul pour la détermination des pertes de charge dans les conduites de gaz. *J. Usines Gaz* **1952**, 337–339.



© 2020 by the authors. Licensee MDPI, Basel, Switzerland. This article is an open access article distributed under the terms and conditions of the Creative Commons Attribution (CC BY) license (<http://creativecommons.org/licenses/by/4.0/>).

