

Nuclear Co-generation: The Analysis of Technical Capabilities and Cost Estimates

Authors

Andrzej Reński
Kazimierz Duzinkiewicz
Tomasz Minkiewicz
Marcin Jaskólski
Agnieszka Kaczmarek-Kacprzak

Keywords

nuclear power, co-generation

Abstract

This paper presents a concept of the parallel connection of a nuclear power plant fitted to provide heat for district heating application, with the CHP and heat plants existing in the supply region, in this case with the heating systems of Wejherowo and Gdynia. Presented variant proposes to add heat to a nuclear power plant's total output by supplying heat exchangers with the steam from bleeders of low pressure (LP) turbine stage and from the crossover pipe between its high pressure (HP) and intermediate pressure (IP) stages. A detailed diagram of the EPR nuclear turbine system adapted to supply district heat is also presented. Also determined are the formulas for: electric power output of a nuclear CHP plant; electric power generated strictly in cogeneration, and the decrease in the electric power and energy resulting from the operation in cogeneration mode. Finally, the profitability (competitiveness) criteria for a nuclear power plant adapted to supply district heat in a selected heat supply region were proposed.

DOI: 10.12736/issn.2300-3022.2016311

1. Introduction

With the resurgence of interest in the development of nuclear energy in the world, and especially with the adoption on 29 January 2014 by the Council of Ministers of the Polish Nuclear Power Programme, the issue of the use of the first nuclear power plants in Poland as a heat source for external customers regained its currency. Moreover, implemented in the Nuclear Development Committee of Nuclear Energy Agency (NEA) is the project "On the Role and Economics of Nuclear Cogeneration in Low Carbon Energy Future". An argument for the implementation of such a method of primary energy use also in nuclear power plants is the reduced consumption of fossil fuels in conventional power plants, thereby reducing carbon dioxide emissions into the atmosphere. A serious drawback of steam power plants is their significant output of waste heat, which, particularly in the case of nuclear power plants characterized by lower parameters of the steam inlet to the turbine, is a significant burden to the plant's core process. Hence a solution involving the use of at least part of the heat for heating district heating water seems most reasonable.

2. Projects related to the use of nuclear power plants in district heating systems

The interest in the concept of the use of nuclear power plants in district heating dates many years back, to the beginning of intensive development of nuclear power generation, i.e. the 1970s and 80s. Polish specialists also had a share in the R&D efforts, developing a concept of using the nuclear power plant then built in Żarnowiec as a heat source and supplying the heat to Tri-City. In most cases, however, these concepts have never grown beyond the design phase. They are presented in more detail in [6, 7].

One of the main causes of the slowdown of nuclear power generation development, including the use of nuclear power plants as a source of district heat network, was the 1986 disaster at the Chernobyl nuclear power plant. It was only after 2000, mainly due to the increase in prices of conventional fuels, as well as the substantial increase in requirements to reduce emissions from conventional energy sources, that there was a resurgence in interest in the re-use of waste heat from nuclear power plants. Plans were developed to use part of the heat from the planned third block of Finnish nuclear power plant Loviisa to supply an extensive district heating system, which would transport the

heat power of approx. 1,000 MW_{th} at a distance of nearly 80 km to Helsinki, as well as plans to adapt an existing nuclear power plant in Nogent-sur-Seine in France with PWR 1300 units and to develop a district heating system for the transmission of 1000 MW_{th} thermal power over a distance of 150 km to supply the south-eastern districts of Paris [3, 10]. A similar concept is contemplated also in Poland, according to which the heat from one of the first nuclear power plants located near Nowe Miasto, a town in the Mazowieckie region, could be transported in large quantities at a distance of 55 km and supply Warsaw's district heating system. Provided that the overall efficiency of the nuclear co-generation plant set up on the basis of this facility would amount to 70%, a single 1,600 MW_e unit could produce thermal power of approx. 1500 MW_{th} [2]. It should be noted, however, that such projects require substantial design alterations in the nuclear unit equipment, especially in the steam turbine system.

A prime example of a nuclear power plant used to supply a regional district heating system remains the Beznau power plant in Switzerland [1], which has for nearly 30 years provided heat to 11 surrounding municipalities, and also supplies electricity to three million residents of the country's north-eastern cantons.

These examples, as well as the own experience [5, 8], inspired an interdepartmental research team at Gdańsk University of Technology to develop a concept of the operation of a nuclear unit with a light water reactor in partial cogeneration mode in the framework of research task No. 10: "The development of methods and sample system analysis of a nuclear power unit with light water reactor operating under partial cogeneration conditions" [9] in the framework of strategic research project "Technologies supporting the development of safe nuclear energy."

3. Analysis of the technical feasibility of combined electricity and heat generation in a nuclear power plant in the Polish conditions

The aim was to consider the possibility of adapting the system of a condensing nuclear power plant, the main task of which remains electricity generation, to supply external consumers with district heat. The choice of the optimal solution of such a system is therefore substantially dependent on external conditions and existing constraints. These include above all the size, type, nature and concentration of thermal power demand, and the ability to output both the thermal power and electricity. For the purpose of the analysis a mathematical model of this system was created, which also took into account the characteristics of external heat consumers. A simplified diagram of the system is shown in Fig. 1. In general, a nuclear power plant (1) can be adapted to supply the needs of external consumers, residential (7) in the form of heat delivered in district heating water, and industrial (3) in the form of process heat delivered in process steam.

The heat supply model assumed that the district heating water temperature in consumption regions would remain at current levels. Accordingly, the heat generating unit of EJc nuclear power plant operating in partial cogeneration mode will be connected in parallel system with the conventional heat source existing in heat supply regions. This connection has the advantage that it enables retaining the structure of the existing heat sources in the areas of supply virtually unchanged.

This analysis provides a basis for the preliminary conclusion that the implementation of a project involving the introduction of partial combination in nuclear units with condensing turbines is feasible in Polish conditions, and such a project could be profitable. In order to demonstrate the validity of this statement the

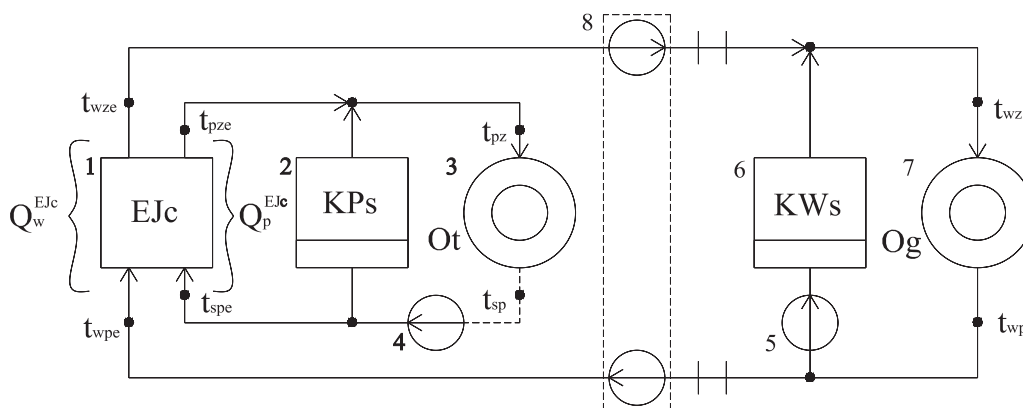


Fig. 1. Block diagram of the system of supplying domestic and industrial customers with heat received from nuclear power plant EJc operating in partial cogeneration mode (1 – EJc nuclear power plant adapted to supply district heat; 2 – KPs peaking steam boiler plant; 3 – Ot process heat consumer; 4 – condensate pump; 5 – district heating water mixing pump; 6 – KW_s peaking district heat source; 7 – Og district heat consumer; 8 – district heating water pumping station; Q_w^{EJc} , Q_p^{EJc} – thermal power of EJc nuclear power plant operating in partial cogeneration mode, respectively, in water and in steam; t_{wze} , t_{wz} – district heating water temperature at supply, respectively: from EJc and at supply of Og district heat consumers; t_{wpe} , t_{wp} – district heating water temperature at return, respectively: to EJc and at return from Og consumers; t_{pze} , t_{pz} – steam temperature, respectively: at supply from EJc and at supply of Ot process heat consumers; t_{spe} , t_{sp} – process steam condensate temperature at return, respectively, to EJc and at return from Ot process heat consumers.)



basic operating and technical indicators of such a project should be determined, and a method for its cost-effectiveness estimate should be proposed. The cost-effectiveness estimate method is presented in [4], while the method of and the assumptions to technical analysis of the project are presented below.

4. Selection of model systems for the technical and economic analysis

A technical problem significant from the point of view of the operation of a nuclear power plant operating in partial cogeneration mode is large variation in the thermal load for district heating during the year. This is exemplified in an illustrative manner in Fig. 2, which shows the variation of the thermal load in the case of parallel (Fig. 2a) and serial (Fig. 2b) cooperation of a nuclear heat source and a conventional one (heating plant or combined heat & power plant CHP). The marked peak thermal loads are only indicative and approximately correspond to the peak thermal load in the area of Gdynia, which could be a potential heat receiving area for the first nuclear power plant located near Lake Żarnowieckie in the Pomeranian region. This variability, as can be seen, to a lesser extent translates to the variation of the load of EJC heating generation unit in the serial arrangement (at first the horizontal course of the thermal load at the level of Q_s^{EJC} in Fig. 2b) than in the parallel arrangement.

Whereas the variation of thermal load by industrial consumers is shaped differently. It certainly depends on the characteristics of industrial consumer O_v , but in most cases it can be assumed with sufficient approximation that it is constant over time, and also in the case under consideration its size is much smaller than the heat consumed by district heat consumer O_g .

Another important advantage of this connection compared to the serial alternative is that it keeps the district water heating in the heat generating unit of EJC at a much higher level, which allow reducing the required mass flow rate of the water. Accordingly, the pipelines cross-sections are correspondingly smaller, which is very important for the transmission of heat over long distances. Whereas a disadvantage of this connection are relatively higher

losses of electric power and energy in such a nuclear plant operating in partial cogeneration mode due to higher parameters of the steam taken from the turbine for district heating water heating.

The values of thermal loads marked on the charts, although only indicative, yet correspond to the real values, which can be expected in the area of a potential location of the first Polish nuclear power plant.

Also for supplying industrial consumers the parallel cooperation with existing sources of process steam (as shown in Fig. 1) may be used, wherein the transmitted thermal power and transmission distance alike will generally be much smaller than in the case of residential consumer supply.

5. Nuclear power plant thermal system options

There are many possible solutions of the thermal system of a nuclear power plant adapted to supply heat to external consumers, and their number largely depends on the heat load and the technical feasibility of design alterations primarily within the steam turbine [6].

In the early days of the nuclear power generation development in Poland it seems appropriate to consider only minor modifications of condensing turbines, but allowing the implementation of partial cogeneration mode to produce electricity and heat. The primary task of nuclear plants operating in partial cogeneration mode shall remain the generation of electricity. Therefore, out of the analysed systems, with turbines with HP high-pressure stage and LP low-pressure stages, and turbines with HP high-pressure stage, with IP intermediate-pressure stage, and LP stages alike, the solutions recommended for further consideration have been schematically shown in Fig. 3. These solutions enable steam extraction from uncontrolled steam bleeders in LP stages with the heat output control by additional steam extraction from the crossover pipe between HP and LP stages with a control valve on the HP-LP crossover.

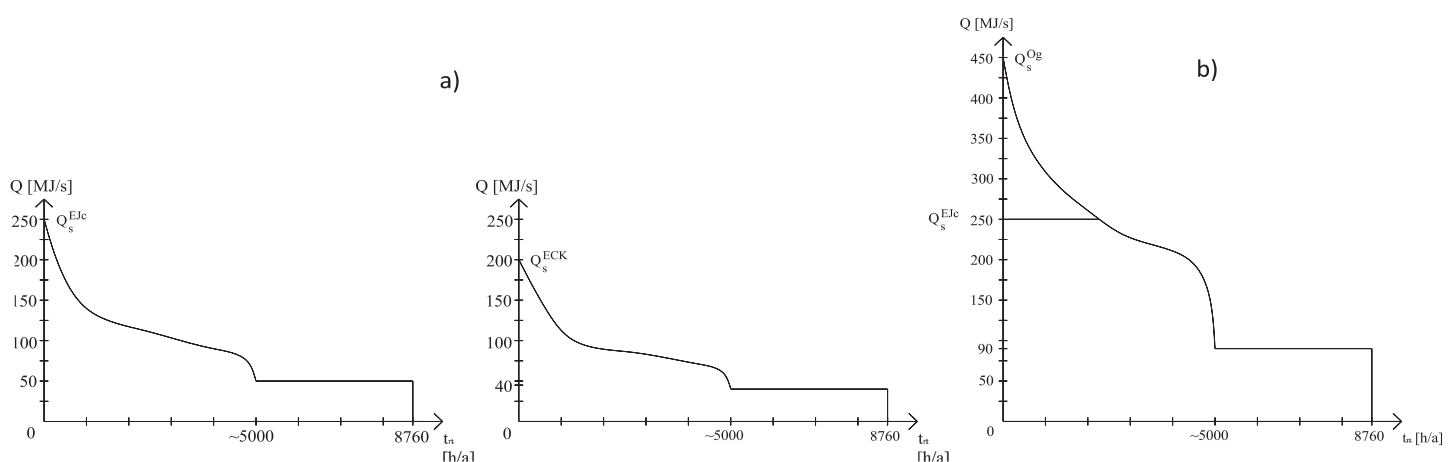


Fig. 2. Variation of demand for thermal power from nuclear power plant operating in partial cogeneration mode by domestic consumers (for space heating, residential hot water, ventilation and air conditioning): in a) parallel and b) serial EJC cooperation with conventional heat sources existing in supply areas

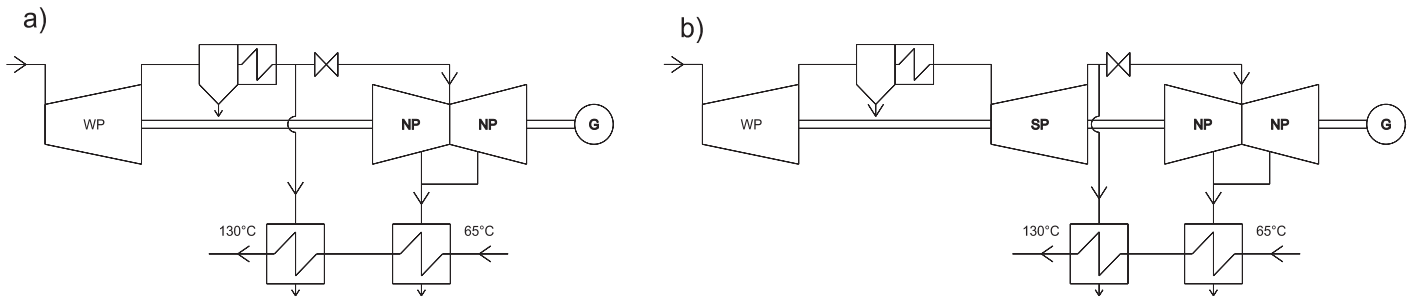


Fig. 3. Diagrams of heat supply to the heat generation unit of EJc nuclear power plant with the main turbine: a) with one HP stage and three LP stages, b) with one HP stage, one IP stage, and three LP stages

A consequence of the steam extraction from a turbine for heating purposes is the reduction of the nuclear power plant electric power output and annual electricity production; on the other hand, however, it allows to produce an additional effect in the form of heat, which affects the economic viability of the entire project.

Three nuclear unit technologies have been adopted for further technical and economic analyses, one of which is likely to be installed in Poland. They are nuclear units with EPR-1650, AP1000 and ESBWR-1550 reactors, and the electric power outputs of these units were treated conventionally. Such an approach was justified on the grounds that according to the available detailed technical data the nuclear units actual power outputs may deviate from the above mentioned. Adaptation of these data to Polish conditions required appropriate simplifications of the thermal diagrams. In this way the systems were developed that provided the necessary basis for further analysis.

Moreover, according to what is stated above, the analysis was restricted to systems operating in partial cogeneration mode. Hence in all analysed objects equally limited was the thermal power output for heating to 250 MW_{th} and for industrial applications to 10 MW_{th}.

Using the values indicated in Fig. 4, the gross electric power outputs of individual stages of the turbine set of a nuclear power unit operating in partial cogeneration mode can be determined on the basis of the following formulas:

$$P_{TWP}^{EJc} = [\dot{m}_3 \cdot (h_3 - h_{13}) + (\dot{m}_3 - \dot{m}_{13} - \dot{m}_8) \cdot (h_{13} - h_{16}) + (\dot{m}_3 - \dot{m}_{13} - \dot{m}_8 - \dot{m}_{16}) \cdot (h_{16} - h_{18})] \cdot \eta_m \cdot \eta_g \cdot 10^{-3}, \text{ MW} \quad (1)$$

$$P_{TSP}^{EJc} = [\dot{m}_{24} \cdot (h_{24} - h_{25}) + (\dot{m}_{24} - \dot{m}_{25}) \cdot (h_{25} - h_{28})] \cdot \eta_m \cdot \eta_g \cdot 10^{-3}, \text{ MW} \quad (2)$$

$$P_{TNP}^{EJc} = [\dot{m}_{33} \cdot (h_{33} - h_{39}) + (\dot{m}_{33} - \dot{m}_{39} - \dot{m}_{43}) \cdot (h_{39} - h_{45}) + (\dot{m}_{33} - \dot{m}_{39} - \dot{m}_{43} - \dot{m}_{45}) \cdot (h_{45} - h_{48})] \cdot \eta_m \cdot \eta_g \cdot 10^{-3}, \text{ MW} \quad (3)$$

$$P^{EJc} = P_{TWP}^{EJc} + P_{TSP}^{EJc} + P_{TNP}^{EJc}, \text{ MW} \quad (4)$$

The partial cogeneration mode in a nuclear unit results in a loss of its electrical power:

$$\Delta P^{EJc} = P^{EJ} - P^{EJc}, \text{ MW} \quad (5)$$

where:

ΔP^{EJc} – loss of electrical power output due to partial cogeneration mode in nuclear power plant (EJ) [MW]

P^{EJ} – electric power output of nuclear unit in condensing mode [MW]

Whereas the electric power generated strictly in cogeneration, i.e. with steam mass flows directed to heat exchangers, is defined as follows:

$$P_{cWC1}^{EJc} = \dot{m}_{43} \cdot (h_3 - h_{20} + h_{24} - h_{31} + h_{33} - h_{39}) \cdot \eta_m \cdot \eta_g \cdot 10^{-3}, \text{ MW} \quad (6)$$

$$P_{cWC2}^{EJc} = \dot{m}_{37} \cdot (h_3 - h_{20} + h_{24} - h_{31}) \cdot \eta_m \cdot \eta_g \cdot 10^{-3}, \text{ MW} \quad (7)$$

$$P_c^{EJc} = P_{cWC1}^{EJc} + P_{cWC2}^{EJc} \quad (8)$$

where:

P_{cWC1}^{EJc} – electric power generated strictly in cogeneration, with transfer to a heating system of the heat output from heating exchanger WC1 [MW_e]

P_{cWC2}^{EJc} – electric power generated strictly in cogeneration, with transfer to a heating system of the heat output from heating exchanger WC2 [MW_e]

P_c^{EJc} – total electric power generated strictly in cogeneration [MW_e].

The patterns of total gross electric power of the nuclear unit operating in partial cogeneration mode P^{EJc} , loss of electric power due to operation in partial cogeneration mode ΔP^{EJc} and electric power generated in strictly in cogeneration P_c^{EJc} obtained on the basis of the above formulas are shown in Fig. 5 against the EJc heat load duration curve– Q_{EJc} . These diagrams also provide the basis for determining the annual effects in the form of electricity and heat production, as well the annual environmental impact in the form of reduced harmful emissions, and the capability to save energy resources. Full evaluation of the project implementing partial cogeneration in nuclear power plants, therefore, requires an economic analysis.

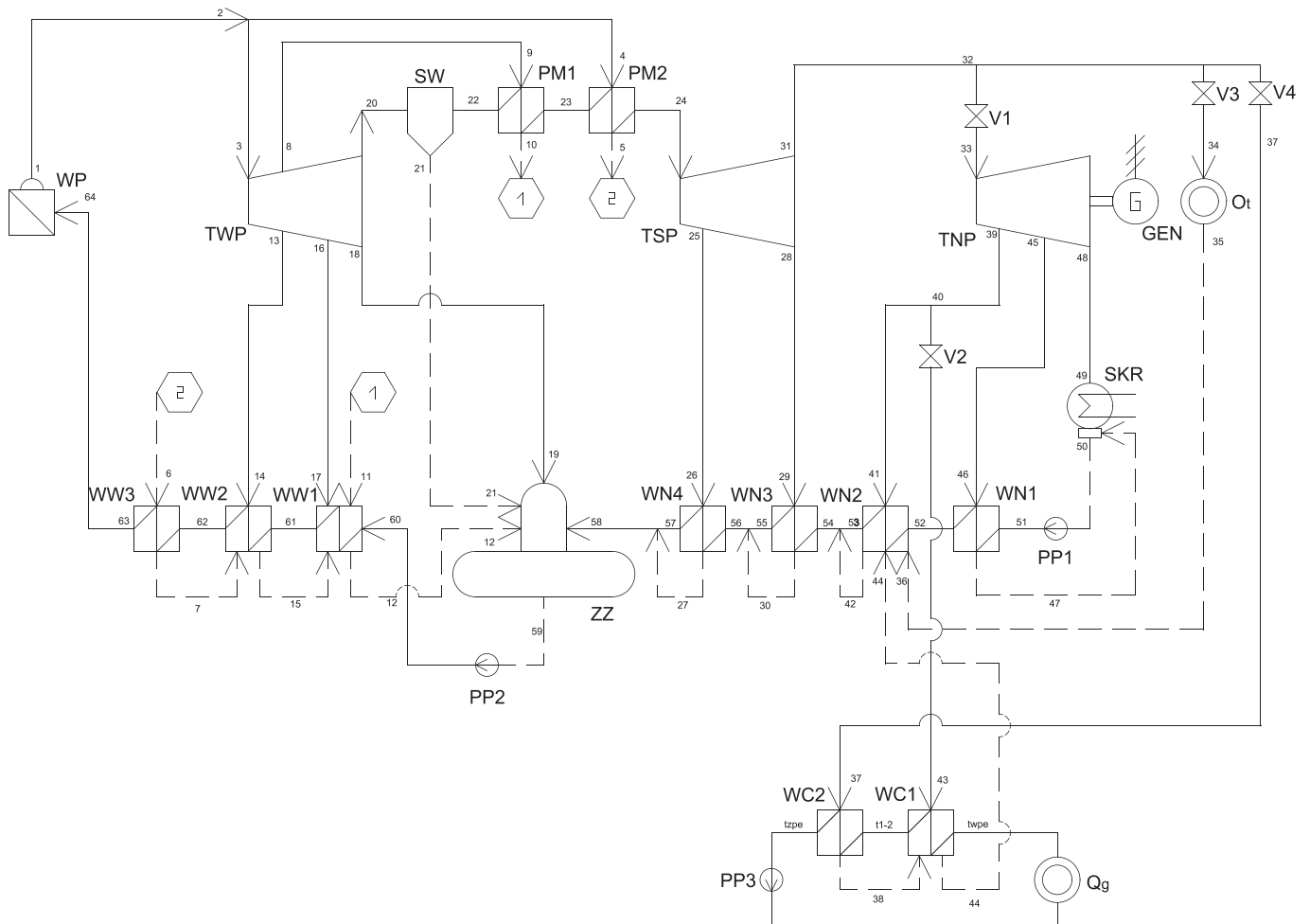


Fig. 4. Simplified diagram of the turbine set of EJc with EPR reactor

WP – steam generator; TWP, TSP, TNP – high, intermediate, and low-pressure stages of steam turbine; SW – moisture separator; PM1-2 – main steam reheaters; GEN – generator; V1-4 – valves; SKR – condenser; O_t , O_g – residential and industrial heat consumers; PP1-4 – pumps; ZZ – feed water tank with deaerator; WW1-3, WN1-4 – high- and low-pressure steam generator feedwater heaters; WC1-2 – heat exchangers

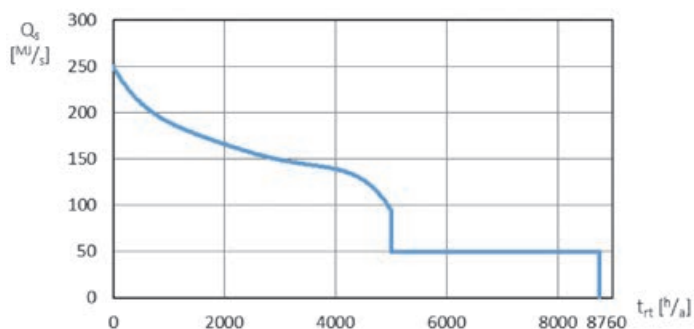


Fig. 5. Annual duration curve of demand for thermal power from EJc nuclear power plant operating in partial cogeneration mode

Proposed in [4], [9] is an approach to preliminary economic analysis based on comparison of various forms of supplying customers with heat and electricity taking into account supply systems based on heat and power cogeneration as well as separate energy carrier production, and involving nuclear as well as conventional generation sources.

The cost-effectiveness criteria of a system based on a nuclear power plant operating in partial cogeneration mode (EJc), resulting from the adopted requirements, were formulated as follows:

EJc is cost-effective if its annual costs are lower than the annual costs of an equivalent conventional CHP plant and the annual costs of balancing energy generation and transmission from the power system

$$K_r^{(a)} < K_r^{(b)}, \text{ PLN/a} \quad (9)$$

EJc is cost-effective if its annual costs are lower than the annual cost of an equivalent centralized (system) power plant and equivalent district heating plants

$$K_r^{(a)} < K_r^{(c)}, \text{ PLN/a} \quad (10)$$

If these criteria are satisfied, the choice of the EJc system based on the developed algorithm can be considered optimal. Results of the simulation tests allow the following conclusions:

- by reference to the criterion of total annual cost of the heat and power supply system the cost-effectiveness can be demonstrated of the solution involving the adaptation of a nuclear power plant (EJ) to operation in partial cogeneration mode, while the result of the analysis largely depends on the level of adopted economic parameters
- the total annual costs criterion, however, is not relevant for the choice of parameters of nuclear power plant partial cogeneration due to the very small share of the costs of strict cogeneration in the total annual cost of EJ adapted for heat output; therefore, the criterion of partial annual costs associated with adapting EJ to heating operation only should be applied.

6. Summary

The paper presents a general methodology for technical evaluation of the implementation of the project involving the adaptation of a condensing nuclear power plant units to supply heat for the needs of external consumers. Highlighted are the close links between the expected results of the analysis and the adopted technical constraints in the form of power and heat output from a nuclear power plant operating in partial cogeneration mode and its distance from the potential area of supply, and the impact of the adopted economic parameter levels on the selection of the optimal solution for the project.

REFERENCES

1. AXPO, „Broschure Kernkraftwerk Beznau“. [Online]. Available: http://www.axpo.com/content/dam/axpo/switzerland/erleben/dokumente/axpo_KKB_prospekt_de.pdf.pdf.res/axpo_KKB_prospekt_de.pdf.pdf.
2. J. Burski, P. Żbikowski, Jak zasilić w energię elektryczną, ogrzać i oczyścić Warszawę, czyli elektrociepłownię jądrową dla Stolicy [How to provide Warsaw with electricity, to heat it and clean it, i.e. nuclear

CHP plants for the Capital] [online], http://nuclear.pl/publikacje/pliki/ecj_warszawa.pdf.

3. N. Bergroth, Large-Scale Combined Heat And Power (CHP) Generation at Loviisa Nuclear Power Plant Unit 3, Proceedings of the 8th International Conference On Nuclear Option In Countries With Small And Medium Electricity Grids, Dubrovnik, Croatia, 2010, p. 36.
4. M. Jaskólski et al., Profitability Criteria of Partial Cogeneration in Nuclear Power Plant, *Rynek Energii*, No. 5, 2014, pp. 141–147.
5. P. Kordunowska, Elektrorownia jądrowa jako źródło ciepła dla aglomeracji miejskiej [*Nuclear power plant as a source of heat for an urban agglomeration*], MSc thesis, Gdańsk University of Technology, Faculty of Electrical Engineering and Automation, Gdańsk 2011.
6. A. Reński, Przystosowanie energetyki jądrowej do oddawania ciepła dla potrzeb bytowo-komunalnych” [Adaptation of nuclear power generation for heat output to domestic consumers], conference proceedings, The future of nuclear energy in Poland, Warsaw 2007.
7. A. Reński, Elektrorownie i elektrociepłownie jądrowe źródłem ciepła dla systemów ciepłowniczych [*Nuclear power plants and CHP plants as a source of heat for heating systems*], *Energetyka. Problemy energetyki i gospodarki paliwowo-energetycznej*, No. 8, 2009, pp. 515–520.
8. A. Reński, Wybór podstawowych parametrów elektrociepłowni jądrowej [*Selection of basic parameters of nuclear power plant*], Ph.D. dissertation, Gdańsk University of Technology, Gdańsk 1981.
9. A. Reński et al, Opracowanie metody i wykonanie przykładowej analizy systemowej pracy bloku jądrowego z reaktorem wodnym przy częściowym skojarzeniu [*Development of a method and completion of an example system analysis of a nuclear unit with a water reactor with partial combined cycle*], Gdańsk University of Technology, Gdańsk, Study in the framework of strategic research project “Technologies supporting the development of safe nuclear power generation”, Sept. 2014.
10. H. Safa, Heat recovery from nuclear power plants, *International Journal of Electrical Power & Energy Systems*, Vol. 42, No. 1, Nov. 2012, pp. 553–559.

Andrzej Reński

Gdańsk University of Technology

e-mail: andrzej.renski@pg.gda.pl

Graduated from the Faculty of Electrical Engineering, Gdańsk University of Technology (1969). In 1984 defended doctoral dissertation at the Faculty of Electrical Engineering, Gdańsk University of Technology and in 2003 received a post-doctoral (DSc) degree at the Faculty of Power and Aeronautical Engineering, Warsaw University of Technology. Since 2007 employed as associate professor at Gdańsk University of Technology. His area of scientific interest includes heating systems – design and modelling equipment of power and CHP plants, both conventional and nuclear, as well as optimisation of heating system development.

Kazimierz Duzinkiewicz

Gdańsk University of Technology

e-mail: kazimierz.duzinkiewicz@pg.gda.pl

Graduated in Automation and Electrical Metrology from the Faculty of Electrical Engineering of Gdańsk University of Technology. In 1983 he obtained the doctoral degree at the same Faculty, and in 2009 the habilitated doctoral degree at the Faculty of Electrical Engineering, Automation, Computer Science and Electronics of AGH University of Science and Technology in Kraków. His research interests include: modelling and estimation under uncertainty, control structures and algorithms, and large system optimizing control. Author of 1 monograph and 1 student textbook. Author of over one hundred publications reviewed in international and national journals, and of reviewed conference proceedings. Manager of 1 international and 6 national research projects. Main contractor and contractor in 18 research and R&D projects.

Tomasz Minkiewicz

Gdańsk University of Technology

e-mail: tomasz.minkiewicz@pg.gda.pl

Graduate of the Faculty of Electrical and Control Engineering, Gdańsk University of Technology. Currently a lecturer at the Department of Electrical Power Engineering, Gdańsk University of Technology. Areas of scientific interest: thermal power stations, nuclear power plants, CHP and district heating systems.

Marcin Jaskólski

Gdańsk University of Technology

e-mail: marcin.jaskolski@pg.gda.pl

Graduate of the Gdańsk University of Technology. During his PhD research participated in training at Lund University (Sweden), at the International Institute for Applied Systems Analysis in Laxenburg (Austria) and the Institute for Energy Economics and the Rational Use of Energy (IER) at Stuttgart University (2002–2004). Currently employed as an assistant professor at the Department of Electrical Power Engineering, Gdańsk University of Technology. Apart from integrated modelling of energy systems development his scientific interest areas include utilisation of renewable energy sources and nuclear power engineering. In 2010 the author participated in three-month training session at the Alternative Energies and Atomic Energy Commission (CEA) in Saclay (France). In 2011 he participated in six-weeks training on EPR safety analyses at the EDF SEPTEN research centre in Lyon.

Agnieszka Kaczmarek-Kacprzak

Gdańsk University of Technology

e-mail: agnieszka.kaczmarek@pg.gda.pl

Graduate of Faculty of Electrical and Control Engineering Gdańsk University of Technology specialization of Power engineering – Power Plant and Energy Management and I edition of postgraduate studies The basic of Nuclear Power Plant; educator of nuclear power plant – Program of The Ministry of Economy , internship Nuclear Power Plant Sizewell B. Areas of interest: Gas Power Engineering, Nuclear Power Engineering, CHP generation.

This is a supporting translation of the original text published in this issue of "Acta Energetica" on pages 121–127. When referring to the article please refer to the original text.

PL

Kogeneracja jądrowa: analiza technicznych możliwości i szacowanie kosztów

Autorzy

Andrzej Reński
Kazimierz Duzinkiewicz
Tomasz Minkiewicz
Marcin Jaskólski
Agnieszka Kaczmarek-Kacprzak

Słowa kluczowe

energetyka jądrowa, kogeneracja

Streszczenie

W artykule przedstawiono koncepcję równoległego połączenia elektrowni jądrowej, przystosowanej do oddawania ciepła do celów grzejących, z istniejącymi elektrociepłowniami i ciepłowniami w rejonie zasilania, w tym przypadku z ciepłowniczymi systemami Wejherowa i Gdyni. Zaproponowano warianty uciepłownienia elektrowni jądrowej, w postaci zasilania wymienników ciepłowniczych parą pobieraną z upustów części niskoprężnej turbiny oraz z przelotni. Zaprezentowano także szczegółowy schemat układu turbinowego uciepłownionej elektrowni jądrowej z reaktorem EPR. Wyznaczono również zależności na moc elektryczną uciepłownionej elektrowni jądrowej, moc elektryczną wytworzoną ściśle w skojarzeniu oraz ubytek mocy elektrycznej i energii elektrycznej na skutek uciepłownienia elektrowni jądrowej. Na koniec podano warunki opłacalności (konkurencyjności) uciepłownionej elektrowni jądrowej dla wybranego rejonu zasilania w ciepło.

1. Wprowadzenie

Wraz z ponownym wzrostem zainteresowania na świecie rozwojem energetyki jądrowej, a zwłaszcza z przyjęciem 29 stycznia 2014 roku przez Radę Ministrów Programu Polskiej Energetyki Jądrowej, ponownie aktualna stała się kwestia wykorzystania pierwszych elektrowni jądrowych w Polsce jako źródeł ciepła dla odbiorców zewnętrznych. Ponadto, w ramach Nuclear Development Committee Agencji Energii Jądrowej (ang. *Nuclear Energy Agency – NEA*), jest aktualnie realizowany projekt „On the Role and Economics of Nuclear Cogeneration in Low Carbon Energy Future”. Za wdrożeniem takiej metody wykorzystania energii pierwotnej, również w elektrowniach jądrowych, przemawia zmniejszenie zużycia paliw organicznych w elektrowniach konwencjonalnych, a tym samym ograniczenie emisji dwutlenku węgla do atmosfery. Poważnym mankamentem elektrowni parowych jest wytwarzanie przez nie znacznych ilości ciepła odpadowego, które szczególnie w przypadku elektrowni jądrowych, charakteryzujących się niższymi parametrami pary dolotowej do turbiny, stanowi istotne obciążenie głównego procesu technologicznego. Stąd rozwiązanie polegające na wykorzystaniu przynajmniej części tego ciepła do podgrzewania wody sieciowej w systemach ciepłowniczych wydaje się jak najbardziej uzasadnione.

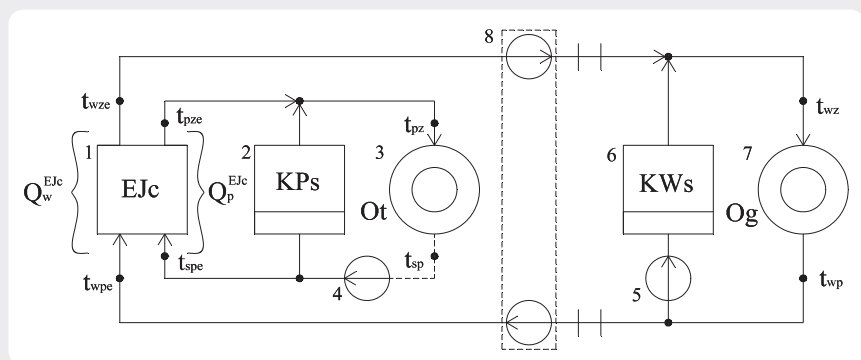
2. Projekty związane z wykorzystaniem elektrowni jądrowych w systemach ciepłowniczych

Koncepcją wykorzystania elektrowni jądrowych w ciepłownictwie zainteresowano się na świecie już przed wieloma laty, praktycznie wraz z początkiem intensywnego rozwoju energetyki jądrowej, tj. w latach 70. oraz 80. ubiegłego wieku. W pracach badawczych mieli także swój udział polscy specjaliści, którzy opracowali koncepcję wykorzystania w charakterze źródła ciepła

budowanej w tym czasie elektrowni jądrowej w Żarnowcu i zasilania Trójmiasta ciepłem z tej elektrowni. Koncepcje te w większości przypadków nie wyszły jednak poza fazę projektów. Bardziej szczegółowo przedstawiono je m.in. w [6, 7].

Jedną z głównych przyczyn zahamowania rozwoju energetyki jądrowej, w tym również prac nad wykorzystaniem elektrowni jądrowych jako źródeł ciepła sieciowego, była katastrofa elektrowni jądrowej w Czarnobylu w 1986 roku. Dopiero po 2000 roku, głównie z powodu wzrostu cen paliw konwencjonalnych, a także wyraźnego wzrostu wymagań dotyczących ograniczania emisji zanieczyszczeń z konwencjonalnych źródeł energii, nastąpiło ponownie zwiększenie zainteresowania wykorzystaniem ciepła odpadowego

z elektrowni jądrowych. Powstały plany wykorzystania części ciepła z planowanego trzeciego bloku fińskiej elektrowni jądrowej Loviisa do zasilania rozległego systemu ciepłowniczego, który miałby transportować moc cieplną na poziomie ok. 1000 MJ/s na odległość blisko 80 km do Helsinek, jak również plany zaadaptowania istniejącej elektrowni jądrowej Nogent-sur-Seine we Francji z blokami PWR 1300 i stworzenia systemu ciepłowniczego pozwalającego przesyłać moc cieplną 1000 MJ/s na odległość ponad 150 km do zasilania południowo-wschodnich dzielnic Paryża [3, 10]. Podobna koncepcja rozważana jest również w Polsce, ciepło z jednej spośród pierwszych elektrowni jądrowych, zlokalizowanej w rejonie Nowego Miasta w województwie



Rys. 1. Poglądowy schemat systemu zasilania odbiorców bytowo-komunalnych oraz odbiorców przemysłowych ciepłem odbieranym z uciepłownionej elektrowni jądrowej EJc (1 – elektrownia jądrowa EJc; 2 – szczytowa kotłownia parowa KPs; 3 – odbiorca ciepła technologicznego Ot; 4 – pompa kondensatu; 5 – pompa mieszania wody sieciowej; 6 – szczytowe źródło ciepła grzejącego KWs; 7 – odbiorca ciepła grzejącego Og; 8 – przepompownia wody sieciowej; Q_w^{EJc} , Q_p^{EJc} – moc cieplna uciepłownionej elektrowni jądrowej EJc, odpowiednio: w wodzie oraz w parze; t_{wze} , t_{wz} – temperatura wody sieciowej na zasilaniu, odpowiednio: z EJc oraz na zasilaniu odbiorców ciepła grzejącego Og; t_{wpe} , t_{wp} – temperatura wody sieciowej na powrocie, odpowiednio: do EJc oraz na powrocie od odbiorców Og; t_{pze} , t_{pz} – temperatura pary, odpowiednio: na zasilaniu z EJc oraz na zasilaniu odbiorców ciepła technologicznego Ot; t_{spe} , t_{sp} – temperatura skroplin pary technologicznej na powrocie, odpowiednio: do EJc oraz na powrocie od odbiorców ciepła technologicznego Ot)

This is a supporting translation of the original text published in this issue of "Acta Energetica" on pages 121–127. When referring to the article please refer to the original text.

PL

mazowieckim, mogłoby być w znacznych ilościach transportowane na odległość powyżej 55 km i zasilać stołeczny system ciepłowniczy. Przy założeniu, że sprawność ogólna powstałej na bazie tego obiektu elektrociepłowni jądrowej wyniosłaby 70%, z jednego bloku o mocy elektrycznej 1600 MW można by uzyskać moc cieplną ok. 1500 MJ/s [2]. Trzeba zaznaczyć, że takie projekty wymagają jednak istotnych zmian konstrukcyjnych w zakresie wyposażenia bloków jądrowych, szczególnie w obrębie turbiny parowej.

Koronnym przykładem elektrowni jądrowej wykorzystywanej do zasilania regionalnego systemu ciepłowniczego pozostaje elektrownia Beznau w Szwajcarii [1], która już blisko 30 lat dostarcza ciepło okolicznym 11 gminom, a ponadto zasilą w energię elektryczną 3 miliony mieszkańców północno-wschodnich kantonów tego kraju.

Przykłady te, jak również posiadane własne doświadczenia [5–8], skłoniły międzywzdziałowy zespół badawczy Politechniki Gdańskiej do opracowania koncepcji pracy bloku jądrowego z reaktorem wodnym, przy częściowym skojarzeniu w ramach zadania badawczego nr 10 pt.: „Opracowanie metody i wykonanie przykładowej analizy systemowej pracy bloku jądrowego z reaktorem wodnym przy częściowym skojarzeniu” [9] w ramach strategicznego projektu badawczego „Technologie wspomagające rozwój bezpiecznej energetyki jądrowej”.

3. Analiza technicznych możliwości realizacji skojarzonego wytwarzania energii elektrycznej i ciepła w elektrowni jądrowej w warunkach polskich

Celem analizy było rozważenie możliwości przystosowania układu kondensacyjnej elektrowni jądrowej, której głównym zadaniem pozostaje wytwarzanie mocy elektrycznej do oddawania ciepła na potrzeby odbiorców zewnętrznych. Wybór optymalnego rozwiązania takiego układu jest zatem w istotny sposób zależny od warunków zewnętrznych oraz od istniejących ograniczeń. Należą do nich przede wszystkim wielkość, rodzaj, charakter i koncentracja zapotrzebowania na moc cieplną, a także możliwości wyrowadzenia zarówno mocy cieplnej, jak i elektrycznej. Na potrzeby analizy stworzono

model matematyczny tego układu uwzględniający także charakterystykę odbiorców zewnętrznych. Poglądowy schemat takiego układu przedstawiono na rys. 1. W ogólnym przypadku elektrownia jądrowa (1) może być przystosowana do pokrywania potrzeb zewnętrznych zarówno odbiorców bytowo-komunalnych (7) w postaci ciepła grzejnego, dostarczanego za pośrednictwem gorącej wody sieciowej, jak i potrzeb odbiorców przemysłowych (3) w postaci ciepła technologicznego, dostarczanego z wykorzystaniem pary technologicznej.

Opracowany model układu zasilania w ciepło zakłada, że temperatury wody sieciowej w rejonach odbiorczych pozostaną na dotychczasowych poziomach. W związku z tym człon ciepłowniczy uciepłownionej EJ będzie połączony w sposób równoległy z istniejącymi w rejonach zasilania klasycznymi źródłami ciepła. Ten sposób połączenia ma taką zaletę, że umożliwi pozostawienie struktury dotychczasowych źródeł ciepła w rejonach zasilania praktycznie bez zmian.

Powyższa analiza daje podstawy do wstępnego stwierdzenia, że realizacja przedsięwzięcia polegającego na wprowadzeniu częściowego skojarzenia w blokach jądrowych z turbinami kondensacyjnymi jest w warunkach krajowych wykonalna, a przedsięwzięcie takie może być opłacalne. W celu wykazania słuszności tego stwierdzenia należało wyznaczyć podstawowe wskaźniki techniczno-eksploatacyjne takiego przedsięwzięcia oraz zaproponować metodę oceny jego opłacalności ekonomicznej. Metodę oceny opłacalności przedstawiono w [4], natomiast poniżej zaprezentowano metodę i założenia do analizy technicznej tego przedsięwzięcia.

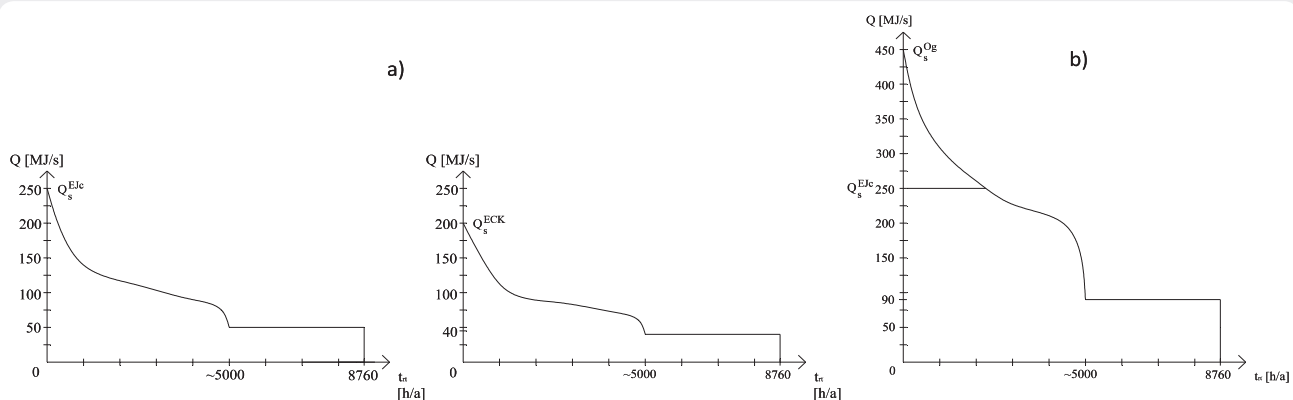
4. Wybór układów modelowych do celów analiz technicznych i ekonomicznych

Istotnym problemem technicznym z punktu widzenia eksploatacji uciepłownionej elektrowni jądrowej jest duża zmienność poboru mocy cieplnej do celów ogrzewania w ciągu roku. Zobrazowano to w sposób poglądowy na rys. 2, na którym pokazano przebieg zmienności zapotrzebowania na moc cieplną w przypadku równoległej (rys. 2a)

oraz szeregowej (rys. 2b) współpracy jądrowego źródła ciepła ze źródłem klasycznym (ciepłownią względnie elektrociepłownią). Zaznaczone wartości szczytowej mocy cieplnej mają charakter orientacyjny i odpowiadają w przybliżeniu szczytowemu zapotrzebowaniu na moc cieplną w rejonie Gdyni, który mógłby być potencjalnym rejonem odbiorczym w przypadku lokalizacji pierwszej elektrowni jądrowej w okolicach Jeziora Żarnowieckiego w województwie pomorskim. Ta zmienność, jak widać, w mniejszym stopniu przekłada się na zmienność obciążenia członu ciepłowniczego EJc w przypadku współpracy szeregowej (początkowo poziomy przebieg linii mocy cieplnej na wysokości Q_s^{EJc} na rys. 2b) niż przy współpracy równoległej. Inaczej kształtuje się natomiast przebieg zmienności zapotrzebowania na moc cieplną przez odbiorców przemysłowych. Zależy on niewątpliwie od charakteru odbioru technologicznego Ot, ale w większości przypadków można z dostatecznym przybliżeniem przyjąć, że jest on stały w czasie, a ponadto w rozważanym przypadku jego wielkość jest zdecydowanie mniejsza od odbioru ciepła grzejnego Og.

Inną istotną zaletą tego sposobu połączenia w porównaniu z alternatywnym szeregowym jest utrzymanie podgrzewu wody sieciowej w członie ciepłowniczym na znacznie wyższym poziomie, co umożliwi zmniejszenie niezbędnego strumienia masy tej wody. W związku z tym przekroje rurociągów będą odpowiednio mniejsze, co ma bardzo istotne znaczenie przy przesyłaniu ciepła na duże odległości. Natomiast mankamentem tego połączenia będą relatywnie wyższe ubytki mocy i energii elektrycznej w uciepłownionej EJ na skutek wyższych parametrów pary pobieranej z turbiny do podgrzewania wody sieciowej. Zaznaczone na wykresach wartości liczbowe zapotrzebowania na moc cieplną mają wprawdzie charakter orientacyjny, odpowiadają jednak realnym wartościom, jakich można się spodziewać w rejonie potencjalnej lokalizacji pierwszej polskiej elektrowni jądrowej.

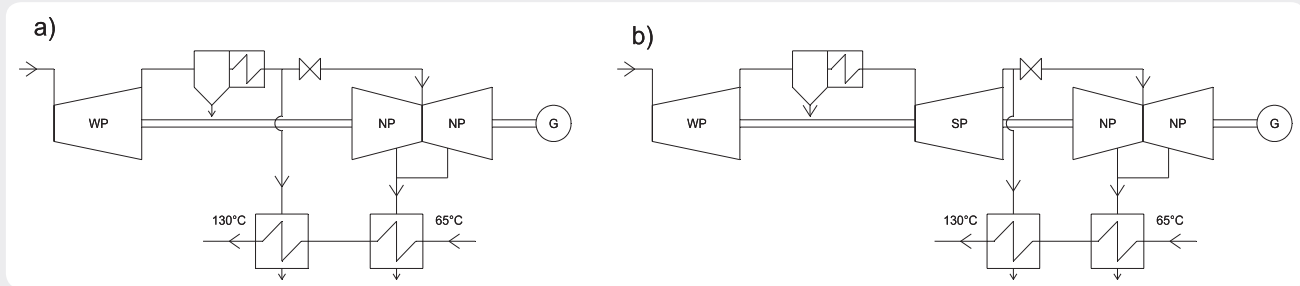
Również w przypadku odbiorców przemysłowych możliwa jest ewentualna współpraca równoległa z istniejącymi źródłami pary



Rys. 2. Charakter przebiegu zmienności zapotrzebowania na moc cieplną z uciepłownionej elektrowni jądrowej przez odbiorców bytowo-komunalnych (na cele ogrzewania pomieszczeń, ciepłej wody użytkowej, wentylacji i klimatyzacji): a) przy równoległej oraz b) przy szeregowej współpracy EJc z klasycznymi źródłami ciepła istniejącymi w rejonach zasilania

This is a supporting translation of the original text published in this issue of "Acta Energetica" on pages 121–127. When referring to the article please refer to the original text.

PL



Rys. 3. Schematy zasilania w ciepło członu ciepłowniczego Ejc wyposażonej w turbinę główną: a) z 1 korpusem WP oraz z 3 korpusami NP, b) z 1 korpusem WP, 1 korpusem SP oraz 3 korpusami NP

technologicznej (jak to pokazano na rys. 1), przy czym zarówno przesyłana moc cieplna, jak i odległość przesyłania będą na ogół zdecydowanie mniejsze niż w przypadku zasilania odbiorców bytowo-komunalnych.

5. Warianty rozwiązań schematu ciepłego elektrowni jądrowej

Liczba możliwych rozwiązań schematu ciepłego elektrowni jądrowej, przystosowanej do oddawania ciepła dla odbiorców zewnętrznych, jest duża i w głównej mierze zależy od wielkości poboru mocy cieplnej przez tych odbiorców oraz od technicznych możliwości wprowadzenia zmian konstrukcyjnych przede wszystkim w obrębie turbiny parowej [6].

W początkowym okresie rozwoju energetyki jądrowej w Polsce celowe wydaje się rozważenie wprowadzenia jedynie niewielkich modyfikacji turbin kondensacyjnych, umożliwiających jednak realizację częściowego skojarzenia produkcji energii elektrycznej i ciepła. Nadrzędnym zadaniem uciepłownionych elektrowni jądrowych pozostanie zatem wytwarzanie energii elektrycznej. Spośród przeanalizowanych układów zaleca się komendowano wobec tego do dalszego rozważania zarówno w przypadku turbin z korpusem wysokoprężnym WP i korpusami niskoprężnymi NP, jak i w przypadku turbin z korpusem WP, z korpusem średnioprężnym SP i korpusami NP rozwiązania, które schematycznie przedstawiono na rys. 3. Są to rozwiązania umożliwiające pobieranie pary z nierogulowanych upustów korpusów części NP przy regulacji parametrów pobieranego ciepła, realizowanej przez dodatkowy pobór pary z przelotni pomiędzy korpusami WP i NP, z zastosowaniem zaworu regulacyjnego na rurociągu przelotni WP-NP.

Konsekwencją poboru pary z turbiny do celów ciepłowniczych jest obniżenie mocy elektrycznej oraz zmniejszenie rocznej produkcji energii elektrycznej elektrowni jądrowej, z drugiej jednak strony pozwala to wytwarzać dodatkowy efekt w postaci ciepła, co ma wpływ na opłacalność ekonomiczną całego przedsięwzięcia.

Do dalszych analiz techniczno-ekonomicznych przyjęto trzy technologie bloków jądrowych, spośród których jedna najprawdopodobniej zostanie zainstalowana w Polsce. To są więc bloki jądrowe z reaktorami EPR-1650, AP1000 oraz ESBWR-1550, przy czym moce elektryczne tych bloków potraktowano umownie. Takie podejście było uzasadnione z tego

względu, że wg dostępnych szczegółowych danych technicznych rzeczywiste wartości mocy bloków jądrowych mogą odbiegać od powyżej przytoczonych. Adaptacja tych danych do warunków krajowych wymagała wprowadzenia odpowiednich uproszczeń schematów cieplnych. W ten sposób powstały układy stanowiące niezbędną bazę do dalszych analiz.

Ponadto, zgodnie z tym co stwierdzono powyżej, analizę ograniczono do układów pracujących przy częściowym skojarzeniu. Stąd we wszystkich rozpatrywanych obiektach jednakowo ograniczono wielkość poboru mocy cieplnej do celów ogrzewania do poziomu 250 MJ/s oraz poboru ciepła do celów technologicznych do poziomu 10 MJ/s.

Wykorzystując wielkości zaznaczone na rys. 4, moce elektryczne brutto poszczególnych korpusów turbozespołu uciepłownionego bloku jądrowego można wyznaczyć na podstawie poniższych zależności:

$$P_{TWP}^{EJc} = [\dot{m}_3 \cdot (h_3 - h_{13}) + (\dot{m}_3 - \dot{m}_{13} - \dot{m}_8) \cdot (h_{13} - h_{16}) + (\dot{m}_3 - \dot{m}_{13} - \dot{m}_8 - \dot{m}_{16}) \cdot (h_{16} - h_{18})] \cdot \eta_m \cdot \eta_g \cdot 10^{-3}, \text{ MW} \quad (1)$$

$$P_{TSP}^{EJc} = [\dot{m}_{24} \cdot (h_{24} - h_{25}) + (\dot{m}_{24} - \dot{m}_{25}) \cdot (h_{25} - h_{28})] \cdot \eta_m \cdot \eta_g \cdot 10^{-3}, \text{ MW} \quad (2)$$

$$P_{TNP}^{EJc} = [\dot{m}_{33} \cdot (h_{33} - h_{39}) + (\dot{m}_{33} - \dot{m}_{39} - \dot{m}_{43}) \cdot (h_{39} - h_{45}) + (\dot{m}_{33} - \dot{m}_{39} - \dot{m}_{43} - \dot{m}_{45}) \cdot (h_{45} - h_{48})] \cdot \eta_m \cdot \eta_g \cdot 10^{-3}, \text{ MW} \quad (3)$$

$$P_c^{EJc} = P_{TWP}^{EJc} + P_{TSP}^{EJc} + P_{TNP}^{EJc}, \text{ MW} \quad (4)$$

Uciepłownieniu bloku jądrowego towarzyszy ubytek mocy elektrycznej bloku jądrowego:

$$\Delta P^{EJc} = P^{EJ} - P^{EJc}, \text{ MW} \quad (5)$$

gdzie:

ΔP^{EJc} – ubytek mocy elektrycznej na skutek uciepłownienia EJ [MW], P^{EJ} – moc elektryczna bloku jądrowego przy pracy kondensacyjnej [MW]

Natomiast moc elektryczną wytwarzaną ściśle w skojarzeniu, czyli na strumieniach pary kierowanych do wymienników ciepłowniczych, określa się jak niżej:

$$P_{cWC1}^{EJc} = \dot{m}_{43} \cdot (h_3 - h_{20} + h_{24} - h_{31} + h_{33} - h_{39}) \cdot \eta_m \cdot \eta_g \cdot 10^{-3}, \text{ MW} \quad (6)$$

$$P_{cWC2}^{EJc} = \dot{m}_{37} \cdot (h_3 - h_{20} + h_{24} - h_{31}) \cdot \eta_m \cdot \eta_g \cdot 10^{-3}, \text{ MW} \quad (7)$$

$$P_c^{EJc} = P_{cWC1}^{EJc} + P_{cWC2}^{EJc} \quad (8)$$

gdzie:

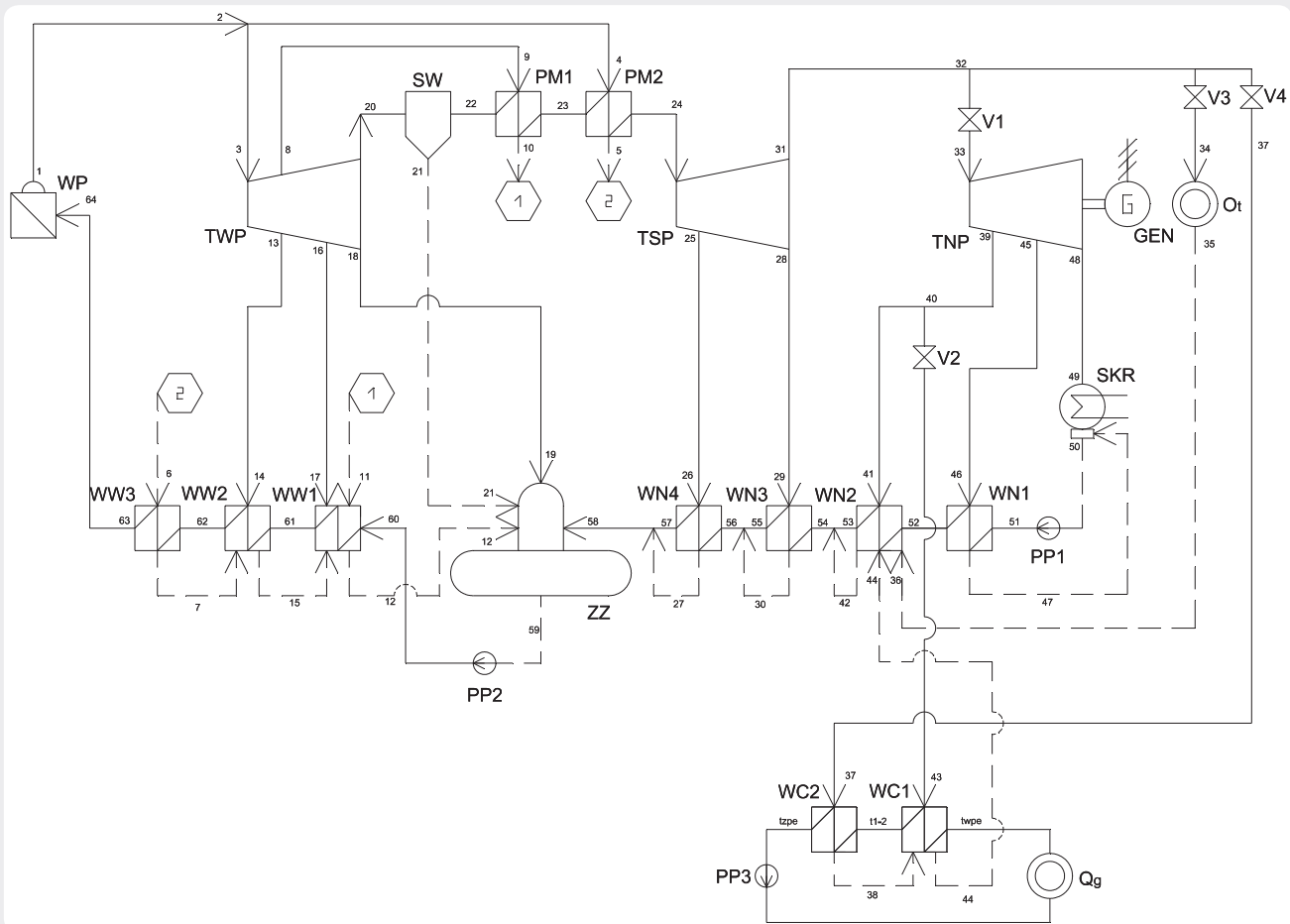
P_{cWC1}^{EJc} – moc elektryczna wytwarzana ściśle w skojarzeniu z przekazywaniem do systemu ciepłowniczego mocy cieplnej z wymiennika ciepłowniczego WC1 [MW], P_{cWC2}^{EJc} – moc elektryczna wytwarzana ściśle w skojarzeniu z przekazywaniem do systemu ciepłowniczego mocy cieplnej z wymiennika ciepłowniczego WC2 [MW], P_c^{EJc} – całkowita moc elektryczna wytwarzana ściśle w skojarzeniu [MW].

Uzyskane w oparciu o powyższe zależności roczne przebiegi: całkowitej mocy elektrycznej brutto uciepłownionego bloku jądrowego P^{EJc} , ubytku mocy elektrycznej na skutek uciepłownienia ΔP^{EJc} oraz mocy elektrycznej wytwarzanej ściśle w skojarzeniu P_c^{EJc} przedstawiono na rys. 5, na tle rocznego wykresu uporządkowanego zapotrzebowania na moc cieplną z EJC – Q_{EJC} . Wykresy te stanowią również podstawę do wyznaczenia efektów rocznych w postaci produkcji energii elektrycznej oraz produkcji ciepła, jak również rocznego oddziaływania na środowisko w postaci ograniczenia szkodliwych emisji, a także możliwości zaoszczędzenia zasobów surowców energetycznych. Pełna ocena przedsięwzięcia polegającego na wprowadzeniu kogeneracji w elektrowniach jądrowych wymaga zatem przeprowadzenia analizy ekonomicznej.

W pracach [4, 9] zaproponowano sposób podejścia do wstępnej analizy ekonomicznej,

This is a supporting translation of the original text published in this issue of "Acta Energetica" on pages 121–127. When referring to the article please refer to the original text.

PL



Rys. 4. Uproszczony schemat cieplny turbosespołu EJC z reaktorem EPR

WP – wytornica pary; TWP, TSP, TNP – korpusy wysoko-, średnio-, niskoprężne turbiny parowej; SW – separator wilgoci; PM1-2 – przegrzewacze międzystopniowe pary; GEN – generator; V1-4 – zawory; SKR – skraplacz; Ot, Og – odbiorcy ciepła: technologicznego i grzejnego; PP1-4 – pompy; ZZ – zbiornik wody zasilającej z odgazowywaczem; WW1-3, WN1-4 – wymienniki regeneracyjne wysoko- oraz niskoprężne; WC1-2 – wymienniki ciepłownicze

polegający na porównaniu różnych form zaopatrzenia odbiorców w ciepło i energię elektryczną z uwzględnieniem systemów zaopatrzenia, opartych zarówno na gospodarce skojarzonej, jak i rozdzielonej i wykorzystujących jądrowe oraz klasyczne źródła wytwarzania.

Warunki opłacalności systemu opartego na uciepłownionej elektrowni jądrowej (EJC), wynikające z przyjętych kryteriów, sformułowano następująco:

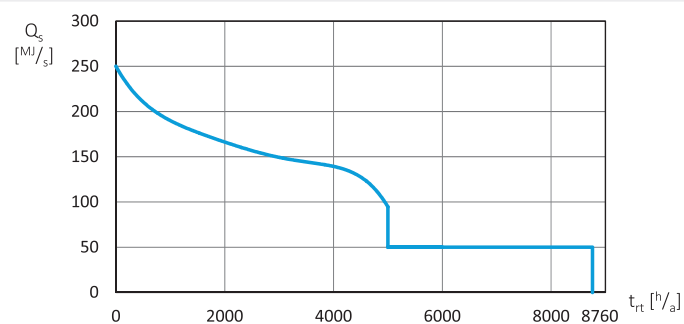
EJC jest opłacalna, jeżeli jej koszty roczne są niższe niż koszty roczne dla równoważnej klasycznej elektrowni i koszty roczne wytwarzania i przesyłania energii wyrównawczej z systemu elektroenergetycznego

$$K_r^{(a)} < K_r^{(b)}, \text{ zł/a} \quad (9)$$

EJC jest opłacalna, jeżeli jej koszty roczne są niższe niż koszty roczne równoważnej elektrowni systemowej i równoważnych ciepłowni rejonowych

$$K_r^{(a)} < K_r^{(c)}, \text{ zł/a} \quad (10)$$

Spełnienie powyższych warunków powoduje, że dokonany na podstawie opracowanego algorytmu wybór układu EJC może być uznany za optymalny.



Rys. 5. Uporządkowany roczny wykres zapotrzebowania na moc cieplną z EJC

Wyniki przeprowadzonych badań symulacyjnych pozwalają sformułować następujące wnioski:

- stosując kryterium całkowitych kosztów rocznych systemu zasilania w ciepło i w energię elektryczną, można wykazać opłacalność rozwiązania polegającego na przystosowaniu elektrowni jądrowej (EJ) do pracy w skojarzeniu, przy czym istotny wpływ na wynik analizy ma poziom przyjętych parametrów ekonomicznych

- kryterium całkowitych kosztów rocznych nie jest jednak odpowiednie przy dokonywaniu wyboru parametrów częściowego uciepłownienia elektrowni jądrowej, z powodu zbyt małego udziału kosztów ścisłego skojarzenia w całkowitym koszcie rocznym EJ przystosowanej do oddawania ciepła; z tego względu należy zastosować kryterium częściowych kosztów rocznych związanych wyłącznie z przystosowaniem EJ do pracy ciepłowniczej.

This is a supporting translation of the original text published in this issue of "Acta Energetica" on pages 121–127. When referring to the article please refer to the original text.

PL

6. Podsumowanie

W artykule zaprezentowano ogólną metodę oceny pod względem technicznym realizacji przedsięwzięcia polegającego na przystosowaniu bloku kondensacyjnej elektrowni jądrowej do przekazywania ciepła na potrzeby odbiorców zewnętrznych. Zwrócono uwagę na ściśle powiązanie spodziewanych wyników analizy z przyjętymi ograniczeniami technicznymi w postaci wartości mocy, ilości ciepła przekazywanego na zewnątrz z ucieplonej elektrowni jądrowej i jej odległości od potencjalnego rejonu zasilania oraz na wpływ poziomu przyjętych parametrów ekonomicznych na wybór optymalnego rozwiązania rozpatrywanego przedsięwzięcia.

Bibliografia

1. AXPO, Broschure Kernkraftwerk Beznau [online], http://www.axpo.com/content/dam/axpo_switzerland/erleben/dokumente/axpo_KKB_prospekt_de.pdf.
2. Baur J., Żbikowski P., Jak zasilic w energie elektryczną, ogrzać i oczyścić Warszawę, czyli elektrociepłownię jądrową dla stolicy [online], http://nuclear.pl/publikacje/pliki/ecj_warszawa.pdf.
3. Bergroth N., Large-Scale Combined Heat And Power (CHP) Generation at Loviisa Nuclear Power Plant Unit 3, Proceedings of the 8th International Conference On Nuclear Option In Countries With Small And Medium Electricity Grids, Dubrovnik, Croatia, 2010, s. 36.
4. Jaskólski M. i in., Profitability Criteria of Partial Cogeneration in Nuclear Power Plant, *Rynek Energii* 2014, nr 5, s. 141–147.
5. Kordunowska P., Elektrownia jądrowa jako źródło ciepła dla aglomeracji miejskiej, praca dyplomowa, Politechnika Gdańska, Wydział Elektrotechniki i Automatyki, Gdańsk 2011.
6. Reński A., Przystosowanie energetyki jądrowej do oddawania ciepła dla potrzeb bytowo-komunalnych, materiały konferencji, *Przyszłość energetyki jądrowej w Polsce*, Warszawa 2007.
7. Reński A., Elektrociepłownia jądrowa – źródło ciepła dla systemów ciepłowniczych, *Energetyka. Problemy energetyki i gospodarki paliwowo-energetycznej* 2009, nr 8, s. 515–520.
8. Reński A., Wybór podstawowych parametrów elektrociepłowni jądrowej, rozprawa doktorska, Politechnika Gdańska, Gdańsk 1981.
9. Reński A. i in., Opracowanie metody i wykonanie przykładowej analizy systemowej pracy bloku jądrowego z reaktorem wodnym przy częściowym skojarzeniu, Politechnika Gdańska, praca w ramach strategicznego projektu badawczego NCBiR „Technologie wspomagające rozwój bezpiecznej energetyki jądrowej”, wrzesień 2014.
10. Safa H., Heat recovery from nuclear power plants, *International Journal of Electrical Power & Energy Systems* 2012, t. 42, nr 1, s. 553–559.

Andrzej Reński

prof. dr hab. inż.
Politechnika Gdańska
e-mail: andrzej.renski@pg.gda.pl

Ukończył studia na Wydziale Mechanicznym Energetyki i Lotnictwa (MEiL) Politechniki Warszawskiej (1969). W 1981 roku obronił pracę doktorską na Wydziale Elektrycznym Politechniki Gdańskiej, a w 2003 roku uzyskał stopień doktora habilitowanego na Wydziale MEiL Politechniki Warszawskiej. Od 2007 roku jest zatrudniony na stanowisku profesora nadzwyczajnego Politechniki Gdańskiej. Obszary jego zainteresowań to: energetyka cieplna – budowa i modelowanie urządzeń energetycznych elektrowni, elektrociepłowni klasycznych i jądrowych oraz optymalizacja rozwoju systemów ciepłowniczych.

Kazimierz Duzinkiewicz

dr hab. inż.
Politechnika Gdańska
e-mail: kazimierz.duzinkiewicz@pg.gda.pl

Absolwent Wydziału Elektrycznego Politechniki Gdańskiej, specjalność: automatyka i metrologia elektryczna. W 1983 roku obronił doktorat na macierzystej uczelni, a w 2009 roku uzyskał stopień doktora habilitowanego na Wydziale Elektrotechniki, Automatyki, Informatyki i Elektroniki Akademii Górniczo-Hutniczej w Krakowie. Obszar zainteresowań to: modelowanie i estymacja w warunkach niepewności, struktury i algorytmy sterowania, sterowanie optymalizujące wielkimi systemami. Autor monografii i skryptu dydaktycznego. Napisał ponad 100 artykułów w recenzowanych czasopiśmie zagranicznych, krajowych, recenzowanych materiałach konferencji. Kierował jednym międzynarodowym projektem naukowo-badawczym, sześcioma krajowymi. Był głównym wykonawcą i wykonawcą w 18 projektach naukowo-badawczych lub badawczo-rozwojowych.

Tomasz Minkiewicz

mgr inż.
Politechnika Gdańska
e-mail: tomasz.minkiewicz@pg.gda.pl

Absolwent Wydziału Elektrotechniki i Automatyki Politechniki Gdańskiej. Obecnie wykładowca w Katedrze Elektroenergetyki Politechniki Gdańskiej. Obszary zainteresowania: elektrownie cieplne, elektrownie jądrowe, kogeneracja oraz systemy ciepłownicze.

Marcin Jaskólski

dr inż.
Politechnika Gdańska
e-mail: marcin.jaskolski@pg.gda.pl

Wychowanek Politechniki Gdańskiej. W trakcie realizacji rozprawy doktorskiej odbył szkolenia na Uniwersytecie w Lund (Szwecja) i staże naukowe w Międzynarodowym Instytucie Stosowanej Analizy Systemowej (IIASA) w Laxenburgu (Austria) i Instytucie Gospodarki Energetycznej oraz Racjonalnego Użytkowania Energii (IER) na Uniwersytecie w Stuttgarcie (2002–2003). Zatrudniony jest jako adiunkt w Katedrze Elektroenergetyki Politechniki Gdańskiej. Jego naukowe zainteresowania, oprócz zintegrowanego modelowania rozwoju systemów energetycznych, obejmują wykorzystanie odnawialnych zasobów energii i energetykę jądrową. W 2010 roku autor uczestniczył w trzymiesięcznych szkoleniach z zakresu energii jądrowej w Komisji ds. Energii Atomowej i Alternatywnych Źródeł Energii (CEA) w Saclay (Francja). W 2011 roku odbył sześciotygodniowy staż z zakresu analiz bezpieczeństwa reaktorów jądrowych EPR w ośrodku badawczym EDF SEPTEN w Lyonie.

Agnieszka Kaczmarek-Kacprzak

mgr inż.
Politechnika Gdańska
e-mail: agnieszka.kaczmarek@pg.gda.pl

Absolwentka Wydziału Elektrotechniki i Automatyki Politechniki Gdańskiej (specjalizacja: energetyka) oraz pierwszej edycji studiów podyplomowych Podstawy Energetyki Jądrowej. Edukatorka w obszarze energetyki jądrowej w ramach programu Ministerstwa Gospodarki, stażystka w Elektrowni Jądrowej Sizewell B. Obszary zainteresowań: energetyka gazowa, energetyka jądrowa, kogeneracja.