

Optimizing the Parameters of a Small Standalone Hybrid Power Plant

Authors

Elżbieta Bogalecka
Aleksander Michoński

Keywords

hybrid power plant, parameter optimization, energy storage, solar power plant, wind power plant, AHP

Abstract

In recent years, interest has grown in Poland in the installation of renewable energy sources (RES), including small standalone hybrid power plants aiming at full independence of energy supply from the power grid. A hybrid power plant consists of renewable energy sources, such as a solar and/or wind power plant, an energy storage facility providing the system's autonomy, a discharge load for surplus energy in the system, and an emergency power supply. The power plant is equipped with an energy management system. Power plant parameters are tailored to meet the requirements of continuity of supply, cost minimization, return on investment period, and system capacity utilization. The paper presents a methodology for selecting power plant parameters with a larger number of decision criteria. The task is solved as a single-criterion optimization task with a weighted quality indicator. The user priority reflecting indicator weights were determined using the multi-criteria hierarchical method for analysing decision problems, in other words the Saaty's analytic hierarchy process (AHP). The climatic data typical for Polish territory and the energy needs of a selected household were selected for the study.

DOI: 10.12736/issn.2300-3022.2017201

Received: 12.02.2017

Received in revised form: 22.03.2017

Accepted: 27.03.2017

Available online: 30.06.2017

Introduction

In recent years interest has grown in Poland in the installation of renewable energy sources, not only of high power (solar and wind farms) but also of low power facilities. Investors are often individuals or small businesses. The aim of existing installations is typically the sale of electricity at guaranteed prices, which ensures a reasonable return on investment. The change in the RES installation financing conditions prompts to change low-power installation's purpose and to redirect it to the coverage of its investor's demand, and complete independence of the electricity supply from the power grid. Such installations are small autonomous hybrid power plants consisting of: renewable energy sources, such as solar and/or wind power plants, energy storage providing the system with autonomy, a discharge load for surplus energy in the system, and an emergency power supply. An important element of such a power plant is a control system with an energy management system. Power plant components must be selected to meet user needs related to the purpose of the installation. The

overriding purpose of an autonomous hybrid power plant is to ensure the continuity of the power supply for a specified period of time, in hours or days. Equally important is the minimization of installation costs and the specific return on investment period. Additional objectives may be formulated, such as the minimum energy storage capacity or maximum utilisation of the installation potential, which means the minimum energy surplus in the system. Partial targets are partly contradictory, as a result of subjective user preferences, and therefore the selection of power plant parameters requires an optimization procedure.

The aim of this paper is to present a methodology for the optimal selection of autonomous hybrid power plant parameters, with a greater number of decision criteria. The multi-criteria optimisation task was reduced to a single-criterion optimization task with a weighted quality indicator. The weights reflect user priorities, and for their selection the multi-criteria hierarchical method for analysing decision problems, in other words, Saaty's analytic hierarchy process (AHP), was used.

The procedure description is supported by the calculation results for a particular hybrid power plant located in northern Poland and consisting of two renewable energy sources: solar and wind power plants, and an energy storage facility (battery bank). The plant is supposed to meet the needs of the selected household. The RES output depends on the meteorological conditions: sunlight and wind speed. Climatic data were provided by the meteorological station of Gdańsk University of Technology. Determining the optimal size of hybrid power plants involves establishing its operational parameters: solar plant power, wind plant power, and energy storage capacity. The study was conducted for selected energy demand scenarios, and selected representative sunshine and wind speed scenarios. Calculations were conducted using a dedicated mathematical model of the power plant.

Hybrid power plant and parameter selection algorithm

Hybrid micro-plant structures may vary, depending on the purpose, power, number of energy sources, energy storage capacity, converters, and control method. Fig. 1 shows the analysed micro-plant consisting of a solar power plant, wind power plant, battery bank, and load. An integral part of the system are converters with implemented algorithms to control the batteries and sources, including enhancing the optimum efficiency of the sources. Often such a system includes an additional processor for energy management, in other words, EMS – Energy Management System. The autonomous hybrid micro-plant parameters depend on many factors. The most important of these are:

1. The basic purpose of the installation, which is to reliably satisfy the energy needs of the user for a specified period. The number of days of autonomous operation of the plant mainly affects the battery capacity and, to a lesser extent, the output of the power sources. The required period of autonomous operation for the plant, defined in hours or days, depends on the local climatic conditions. The meteorological data analysis shows the incidence and number of consecutive days when the input of solar and wind energy is insufficient to meet energy needs. The economically justified period of autonomy is a period of one to three days.

2. Renewable energy resources (solar and wind) at the plant site. The hybrid power plant was to be installed in Poland, where in the summer time more energy is supplied by the sun, and in the winter by wind, so the planned plant was composed of both, solar and wind, power sources. The efficiency of converting primary energy into electricity is known, it depends on the level of technology of the equipment and the method of control, and amounts to ca. 15% for a solar source and ca. 40% for a wind source. With known demand for energy and renewable energy resources, the required aggregate power of the renewable sources can be estimated. Then a decision needs to be made concerning the demand coverage split between solar and wind sources.
3. Energy needs of the user. In general, the energy needs of a household or small business with a fixed production cycle can be determined. For the optimal power plant design, not only the daily energy consumption is important, but also the daily profile of the user's energy needs: basic and optional. The source capacity depends on the average load, and the battery bank's capacity depends on the load variability, average and maximum power, and time of day. An energy management system may significantly improve hybrid power plant performance, for example, by re-scheduling the optional loads' supply to other hours.
4. Additional subjective, individual plant user priorities, these priorities include: meeting energy needs, number of autonomy days, plant cost, plant utilisation, return on investment period. User preferences have a big impact on plant parameters. If low cost is preferred, this prompts the selection of a wind source only with a higher power output, while short return on investment results in the sources' having less capacity at the expense of supply reliability. Depending on priorities, the installation target achievement indicator is formulated. The quality indicator is a weighted sum of selected partial indicators. The plant user determines what partial criteria must be taken into account and how important they are. To select the indicator weight, Saaty's multi-criteria hierarchical method of decision problem analysis (AHP) may be employed.

The task of selecting hybrid power plant parameters is to determine the wind and solar sources outputs and the battery capacity,

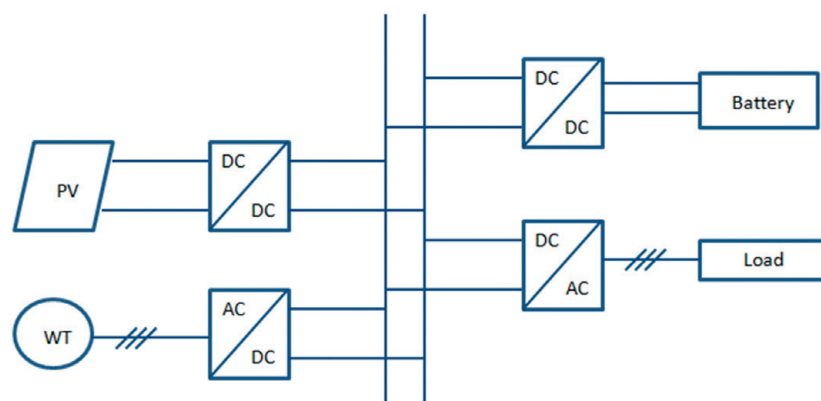


Fig. 1. Diagram of the analysed hybrid plant

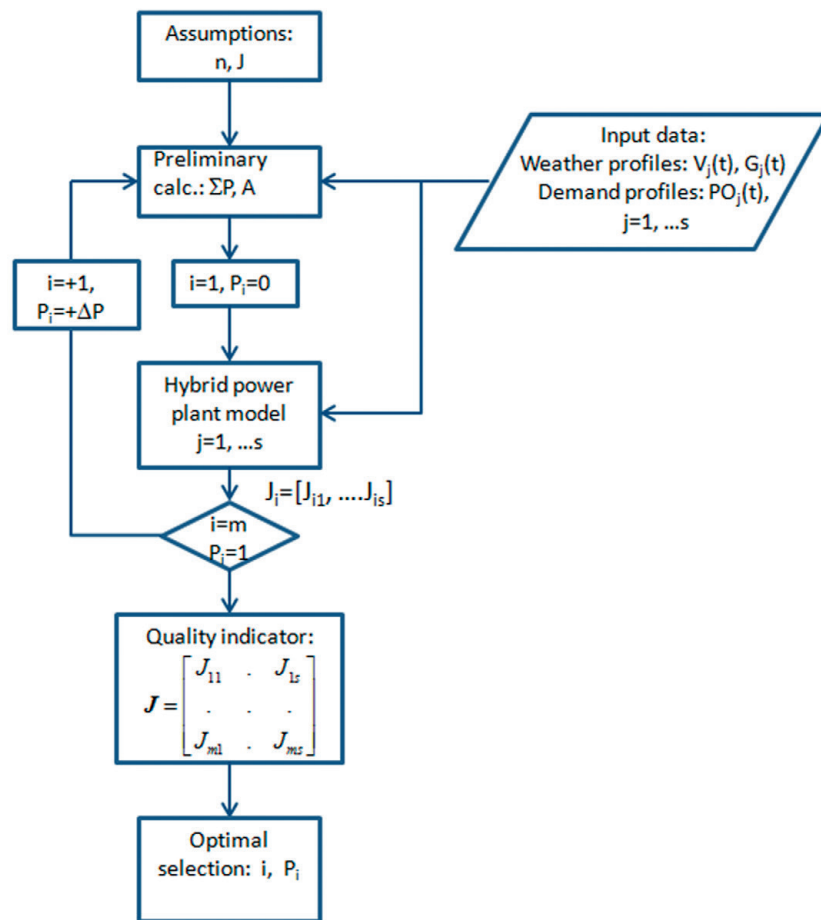


Fig. 2. Hybrid power plant parameter selection algorithm

taking assumed user preferences into consideration: number of the plant autonomy days, energy demand, and on-site energy resources.

The task can be solved in a trivial way. For an assumed demand for energy, the capacities of the wind and solar plants may be determined, assuming that in the summer time the demand shall be covered only by the solar plant, and in the winter only by the wind plant. The source capacities should be estimated with an appropriate surplus, so that the necessary energy reserve remains in the batteries. As a result, the plant is considerably oversized and more expensive.

Taking into account the user preferences and local atmospheric conditions enables the parameters of the power plant to be optimised. The parameter selection procedure is shown in Fig. 2. Inputs to the algorithm are: assumptions (required number of autonomy days n , quality indicator J) and input data strings ($j = 1, s$). Input data:

- user's energy needs in the form of selected daily profiles $PO_j(t)$
- weather scenarios selected from meteorological data analysis (insolation $G_j(t)$, wind speed $V_j(t)$).

Based on the number of autonomy days and input data, the initial, basic parameters of the hybrid power plant are determined: battery capacity A and aggregate renewable source output ΣP . The optimal plant configuration is determined on the basis of simulation calculations. For the assumed ratio of solar to wind source outputs P_i :

$$P_i = \frac{PPV_i}{PW_i} \quad PPV_i + PW_i = \Sigma P \quad (1)$$

where: PPV_i – solar plant output, and PW_i – wind plant output in the i -th iteration, calculations are made for all selected load and meteorological profiles. For each P_i and for each input data string the calculations produce the quality indicator $J_{ij}, i = 1, \dots, m, j = 1, \dots, s$. Once all the calculations have been completed, such ratios of the solar plant output to the wind plant output P_i should be chosen that provide the highest quality indices. If an indicator is too low, then the renewable resources output and/or the energy storage capacity should be increased in the next iteration.

Hybrid power plant model

The hybrid power plant model is shown in Fig. 3. This is a simplified model of the power balance in the analysed system. The rated battery capacity A is determined based on the number of autonomy days and the aggregate power ΣP of the sources while the rated outputs of the solar plant PPV and of the wind plant PW depend on their assumed ratio P_i . Each simulation is performed for an assumed value P_i . The incoming values to the balance block are the time-series data: power consumed by the loads $PO(t)$ and power supplied by the RES $PPV(t)$ and $PW(t)$. The input data are specific for the assumed autonomy period, from one up to as many as five days. The RES supplied power is calculated on the basis of photovoltaic and wind power plant modules energy models. The energy store is an additional source with an

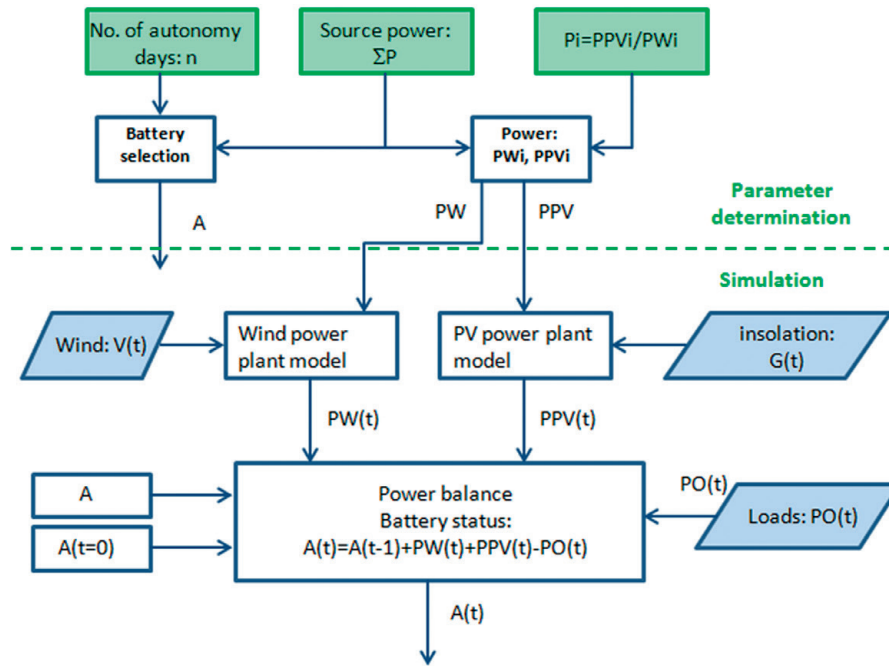


Fig. 3. Hybrid power plant model structure

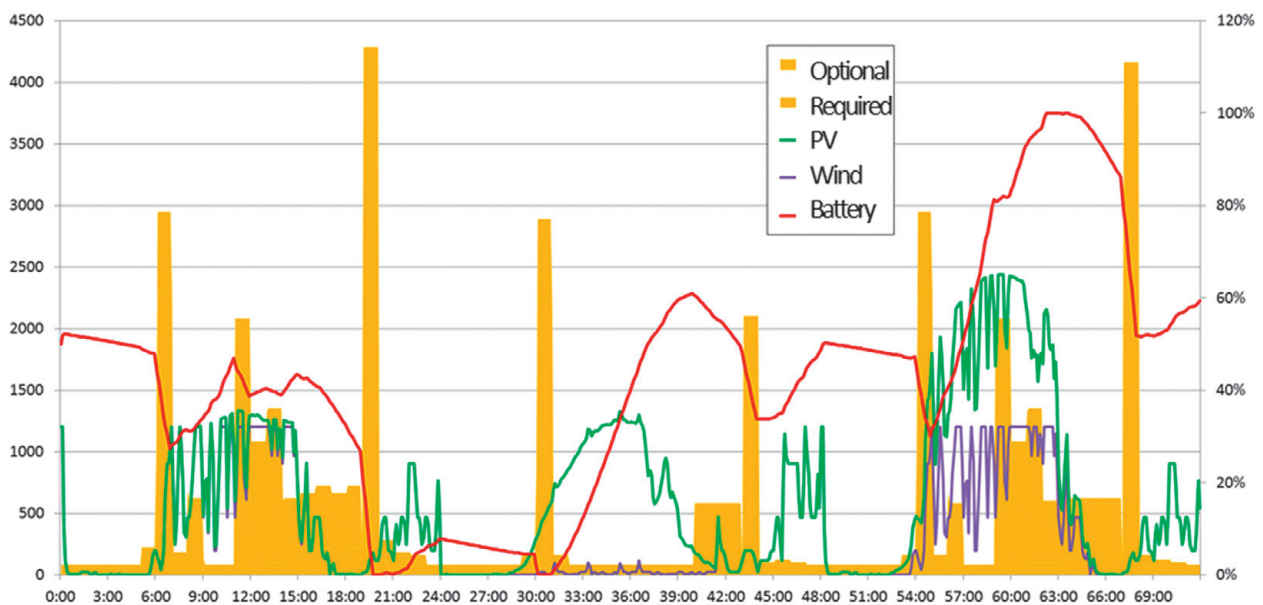


Fig. 4. Simulation calculation result for a selected input data string of load powers, solar and wind power plant output (left axis) and battery capacity in percentage terms (right axis) as a function of time (in hours)

assumed initial energy reserve. The storage charge $A(t)$ is the main output variable containing information about the system performance: continuity of supply or underutilisation of energy resources. During the simulation, the defined quality indicator is calculated for each input data set.

User demand input data are based on the identification of the number of loads, their power, and the timing and durations of their operation. Load profiles change during the year (summer, winter) and the week (weekdays, holidays). For the proper design of the plant, several load scenarios should be prepared, with the loads split into the required and optional categories.

In the solar and wind power plant models, the output powers $PPV(t)$ and $PW(t)$ are calculated for the assumed variable wind speed $V(t)$, insolation $G(t)$, and catalogue data of the installed devices. The modern, even small, wind and solar power plants are fitted with inverters that provide their maximum efficiency. The plant is located at a site with a specific climate. Solar and wind plant outputs are random variables, depending on the time of the year and day, and on the location. Rationalizing the number of calculations induces the selection of several input data profiles representative for renewable sources: insolation and wind speed. Based on the analysis of a years worth of data from the

meteorological station of Gdańsk University of Technology, test data strings were selected for up to five day periods representative for each season. Fig. 4 shows an example simulation result for a three-day summer period, when the sun energy is greater than that of the wind.

It was assumed in the example that the solar and wind plant outputs were the same, and the initial battery charge for one day of autonomous operation was 50%. It follows from the waveforms that a system with such parameters does not meet the reliable supply requirement – the battery charge falls to zero twice, but at the end of the third day the system has a small energy surplus. If the optional load supply was rescheduled to a later time when the battery charge level was higher, then all energy needs would be met. This proves the need for an energy management system in an autonomous power plant.

Target achievement indicator

To assess the assumed hybrid power plant parameters and simulation calculation results, a quality indicator should be formulated. As mentioned earlier, a plant installation may have several goals and they depend on user preferences. In the study, a quality indicator was proposed in the form of a sum of weighted modules of three partial indicators:

$$J = \sum_{k=1}^3 |O_k \cdot w_k|, \quad \sum_{k=1}^3 w_k = 1 \quad (2)$$

where: J – quality indicator, O_k – partial indicator, w_k – partial indicator weight.

Partial criteria are the measures of:

- a) O_1 – power supply continuity
- b) O_2 – utilisation of energy available in the plant system
- c) O_3 – return on investment period.

Fulfilling the power supply continuity requirements means that the battery has not been discharged during the period considered. The indicator is the variation from one of the energy deficit in the system missing to cover its demand at any time. Another measure of this indicator may also be a complement to 1 of the relative battery discharge times.

$$O_1 = 1 - \frac{\int PO(t)|_{A(t)=0} dt}{\int PO(t) dt} \quad (3)$$

where: $PO(t)|_{A(t)=0}$ means the load power while the battery is discharged.

The second criterion is the constant use of the plant system's energy resources: the energy produced and accumulated. If

there is any unused surplus energy in the system, this indicator decreases. This criterion minimizes source output and adjusts it to the system's needs, while at the same time prompting an increase in the battery capacity. The measure of this criterion is a complement to 1 of local energy surplus in the system relative to the energy required:

$$O_2 = 1 - \frac{\int A(t)|_{(PPV(t)+PW(t)-PO(t))>0} dt}{\int PO(t) dt} \quad (4)$$

where: $A(t)|_{(PPV(t)+PW(t)-PO(t))>0}$ means the battery charge when there is a local surplus of the power output over consumption in the system.

The economic criterion defined as the return on investment period, imposes constraints on the plant parameters, mainly the battery capacity. The measure of the criterion is the deviation from the assumed, desired return on investment period. The return period depends on the plant costs and produced energy value:

$$O_3 = 1 - \frac{\text{estimation return on investment period}}{\text{desired return on investment period}} \quad (5)$$

For the plant parameter selection process, the choice of quality indicator weights w_k is important. Since the partial criteria are numerous, and the weighting coefficients represent the system user preferences, they were selected using Saaty's hierarchy analysis method. Saaty's method finds the best solution from many variants. The decision maker evaluates partial criteria at their own discretion, by pair comparison, and the relationships between them are determined on the basis of a preference scale assigning scores to verbal assessment. This process is presented in Tab. 1 and 2 for some example preferences.

The partial indicator weights w_k are calculated according to the procedure described in [1, 2]:

$$w_k = \frac{a_k^*}{a^*} \quad k = \overline{1,3} \quad (6)$$

$$a_k^* = \sqrt[3]{\prod_{j=1}^3 a_{kj}}, \quad k = \overline{1,3} \quad (7)$$

$$a^* = \sum_{k=1}^3 a_k^* \quad (8)$$

Plant purchase	Continuous supply	Max. utilisation of output	Financial terms of purchase
Continuous supply	1.	<input checked="" type="checkbox"/> Significant preference	<input checked="" type="checkbox"/> Weak / significant preference
Max. utilisation of output	<input type="checkbox"/>	1.	<input checked="" type="checkbox"/> Weak preference
Financial terms of purchase	<input type="checkbox"/>	<input type="checkbox"/>	1.

Tab. 1. Text preferences

Plant purchase	Continuous supply	Max. utilisation of output	Financial terms of purchase
Continuous supply	1.	5.	4.
Max. utilisation of output	0.2	1	3
Financial terms of purchase	0.25	0.333333333	1

Tab. 2. Preferences processed into figures

The weights of the data in Tab. 2 are, respectively:

$$w = [w_1, w_2, w_3] = [0,68; 0,21; 0,11] \quad (9)$$

i.e. the most important is the power supply continuity assurance. With different user preferences, the indicator weights would have different values.

For each input data set the simulation calculations produce a quality indicator in accordance with (2). For the case in Fig. 4, the indicator is 0.76.

Hybrid power plant parameter selection

Initial parameters (i.e. aggregate source output and battery capacity) are selected for the average demand and number of autonomy days, taking into account equipment efficiency and a certain power reserve (e.g. 30%). Simulation series are performed for specific load profiles and meteorological conditions, but also for different splits between solar and wind power outputs. As a result of all the calculations, sets of parameters are obtained: solar plant output, wind plant output, and a quality indicator for each season of the year and assumed autonomy period.

The results should be evaluated and the optimum solution selected, first for each season (seasonal quality indicator), and then for the whole year (annual average), taking into account the

incidence of the cases considered. The selection is made on the basis of the sets of quality indicators. The selection mode depends on the number of scenarios studied. With a small number, this may be the set of parameters, for which the arithmetic average of the quality indicators is the highest, but for a large number of studied scenarios it should be the most statistically probable value (e.g. median).

Fig. 5 shows the calculation results of the quality indicators J with the weights (9) for the studied example. As is evident from the drawing, in Polish conditions it is more advantageous to increase the wind plant capacity at the expense of the solar plant. For the adopted quality criterion, similar outputs of both power sources are most favourable. The number of autonomy days also has a significant impact on the quality indicator. The choice of power plant parameters under the assumption of one day of autonomous operation results in a higher output for the plant, and an excessively long autonomy operation results in a significant increase in battery capacity. Neither of these two cases is optimal for the assumed indicator format. The quality indicator reaches its highest level for 2-3 days of autonomy.

A very important factor for the calculation result is the selection of weather scenarios that reflect the actual climatic conditions and their incidence.

It must be realized that the result is not only due to the climatic conditions and energy requirements but also to the quality indicator format.

If a very high quality indicator has been obtained for a given configuration, the calculation may be repeated with a lower source output, and if the indicator is too low, the source output may be increased. The hybrid power plant parameter selection process is thus an iterative process, and the presented method and algorithm are only auxiliary tools.

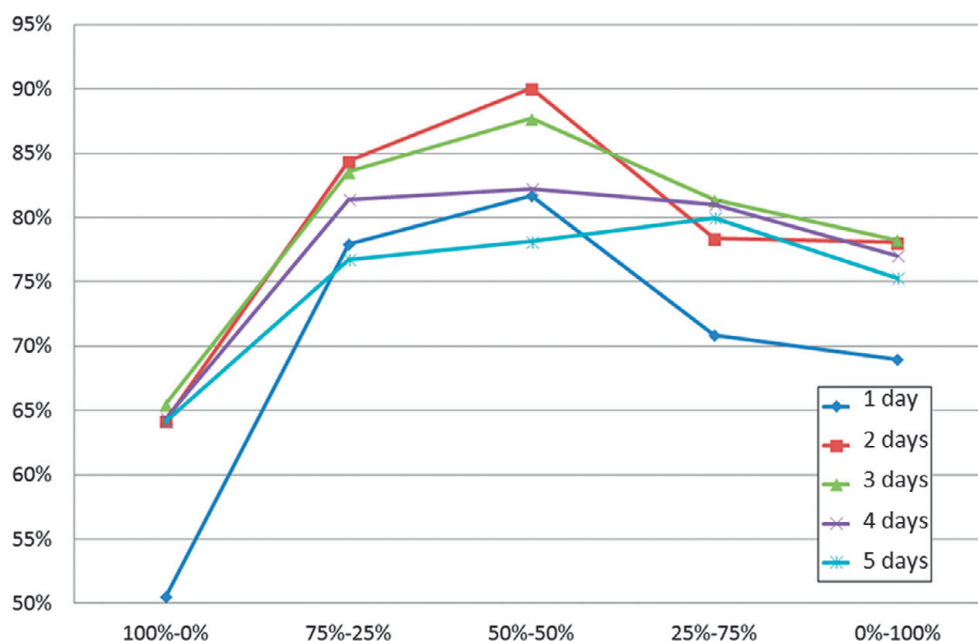


Fig. 5. Quality indicators as a function of solar plant output (100% at the left end of the axis) and wind plant output (100% at the right end) and for different number of autonomy days (1 to 5)

Summary

The paper proposes a selection procedure for small hybrid power plant parameters: solar and wind power plant output capacities, and battery capacity. The selection was based on a simplified power plant simulation model describing the process of converting primary energy to electricity, and the power balance in the system. Simulation calculations were performed for selected input data strings:

- user electricity demand profiles at different times of the year and days of the week
- meteorological data representative of the place and time of the year and selected on the basis of analysis of meteorological data for the last year.

The study was conducted for various shares of solar and wind generation in energy demand coverage (from 0% to 100%) and different lengths of time of the hybrid power plant's autonomous operation.

To evaluate the result, and thus to select the optimal power plant parameters, a quality indicator was formulated for individual user preferences. The quality indicator's weight coefficients were calculated using Saaty's hierarchy analysis method.

The number of simulation calculations depends on the number of demand and weather profiles, and on the resolution of the so-called split factor, i.e. the ratio of the solar to wind power plant outputs. The calculations are not time consuming and do not require complex computational tools. With hourly data resolution, each day's simulation consists of only 24 computational steps.

As a result of the series of calculations, a quality indicator is obtained for each input data string and for each power plant parameter set. From these data, the optimal plant parameters may be obtained, first for each input data set (i.e. load and weather profile), then for each time of the year and for the entire year. The resulting hybrid power plant parameters meet the requirements at a certain level, in the sense that they minimize the risk of failure to achieve specific goals. There may always occur a random weather situation, whereby even a very carefully designed plant will not meet expectations.

The proposed parameter selection methodology is not the only one available [3] and does not ensure 100% fulfilment of expectations, but the selection procedure takes into account such important factors as user preferences, local climatic conditions and user energy needs.

REFERENCES

1. A. Michoński, "Optymalizacja elektrowni hybrydowej małej mocy" [Optimization of low power hybrid power plant], Engineer Diploma Thesis, Gdańsk University of Technology, 2016.
2. T.L. Saaty, "A scaling method for priorities in hierarchical structures", *Journal of Mathematical Psychology*, No. 15, 1977, pp. 234-281.
3. J.K. Kaldellis, K.A. Kavadias, P.S. Koronakis, "Comparing wind and photovoltaic stand-alone power systems used for the electrification of remote consumer", *Renewable and Sustainable Energy Reviews*, Vol. 11, No. 1, 2007, pp. 57-77.

Elżbieta Bogalecka

Gdańsk University of Technology
 e-mail: elzbieta.bogalecka@pg.gda.pl

Graduated from the Faculty of Electrical Engineering and Automatics at Gdańsk University of Technology (1976), where she also obtained her doctorate (1987) and habilitation (1998). The subject of her research are: electrical drive automatics, in particular wind power plant control algorithms, including sensorless control and renewable energy engineering. Author of several dozen studies in this field.

Aleksander Michoński

Gdańsk University of Technology
 e-mail: alemicho@pg.gda.pl

Graduated in automatics and robotics from first-grade studies at the Faculty of Electrical Engineering and Automatics at Gdańsk University of Technology (2017). Currently a student of Master degree studies in the same major.

This is a supporting translation of the original text published in this issue of "Acta Energetica" on pages 4–10. When referring to the article please refer to the original text.

PL

Optimalizacja parametrów małej autonomicznej elektrowni hybrydowej

Autorzy

Elżbieta Bogalecka
Aleksander Michoński

Słowa kluczowe

elektrownia hybrydowa, optymalizacja parametrów, magazyn energii, elektrownia słoneczna, elektrownia wiatrowa, AHP

Streszczenie

W ostatnich latach wzrosło w Polsce zainteresowanie instalacją odnawialnych źródeł energii (OZE), w tym małych autonomicznych elektrowni hybrydowych mających na celu pełne uniezależnienie od dostaw energii z sieci elektroenergetycznej. Elektrownia hybrydowa składa się z odnawialnych źródeł energii, np. elektrowni słonecznej i/lub wiatrowej, magazynu energii zapewniającego systemowi autonomię, odbiornika zrzutowego wykorzystującego nadwyżki energii w systemie oraz z zasilania awaryjnego. Elektrownia jest wyposażona w układ zarządzania zasobami energetycznymi. Parametry elektrowni dobierane są tak, aby zaspokoić wymagania: ciągłość zasilania, minimalizację kosztów, określony czas zwrotu inwestycji, wykorzystanie potencjału instalacji. W pracy przedstawiono metodologię doboru parametrów elektrowni przy większej liczbie kryteriów decyzyjnych. Zadanie rozwiązuje się jako zadanie optymalizacji jednokryterialnej z ważonym wskaźnikiem jakości. Wagi wskaźnika odzwierciedlające priorytety użytkownika wyznaczono, stosując wielokryterialną metodę hierarchiczną analizy problemów decyzyjnych Saaty'ego (AHP). Do badań wybrano dane klimatyczne typowe dla terenu Polski i potrzeby energetyczne wybranego gospodarstwa domowego.

Data wpływu do redakcji: 12.02.2017

Data wpływu do redakcji po recenzjach: 22.03.2017

Data akceptacji artykułu: 27.03.2017

Data publikacji online: 30.06.2017

Wstęp

W ostatnich latach pojawiło się w Polsce zainteresowanie instalacją odnawialnych źródeł energii nie tylko dużej mocy (farmy słoneczne i wiatrowe), ale także małej mocy. Inwestorami są często osoby fizyczne lub małe przedsiębiorstwa. Celem istniejących już instalacji jest przeważnie sprzedaż energii elektrycznej po gwarantowanych cenach, co zapewnia rozsądny czas zwrotu inwestycji. Zmiana warunków finansowania instalacji OZE skłania do zmiany celu instalacji małej mocy – pokrycie potrzeb własnych inwestora i uniezależnienie całkowite od dostaw energii z sieci elektroenergetycznej. Instalacje takie to małe autonomiczne elektrownie hybrydowe składające się z: odnawialnych źródeł energii, np. elektrowni słonecznej i/lub wiatrowej, magazynu energii zapewniającego systemowi autonomię, odbiornika zrzutowego wykorzystującego nadwyżki energii w systemie oraz z zasilania awaryjnego. Istotnym elementem elektrowni jest układ sterowania z systemem zarządzania zasobami energetycznymi. Elementy elektrowni muszą być dobrane tak, aby zaspokoić potrzeby użytkownika związane z celem instalacji. Nadrzędnym celem autonomicznej elektrowni hybrydowej jest zapewnienie ciągłości zasilania odbiorcom przez określony czas, liczony w godzinach lub dniach. Równie ważne cele to minimalizacja kosztów instalacji czy określony czas zwrotu inwestycji. Można też sformułować cele dodatkowe, jak np. minimalizacja pojemności magazynu energii, czy maksymalne wykorzystanie potencjału instalacji, co można sprowadzić do wymagania minimalnych nadwyżek energii w systemie. Cele czaszkowe są częściowo sprzeczne, wynikają z subiektywnych preferencji użytkownika i dobór parametrów elektrowni wymaga procedury optymalizacyjnej.

Celem artykułu jest przedstawienie metodologii optymalnego doboru parametrów autonomicznej elektrowni hybrydowej przy większej liczbie kryteriów decyzyjnych. Zadanie optymalizacji wielokryterialnej sprowadzono do zadania optymalizacji jednokryterialnej z ważonym wskaźnikiem jakości. Wartości wag odzwierciedlają priorytety użytkownika i do ich doboru wykorzystano wielokryterialną metodę hierarchiczną analizy problemów decyzyjnych Saaty'ego (AHP).

Opis procedury poparto wynikami obliczeń dla przykładowej elektrowni hybrydowej usytuowanej w północnej Polsce i złożonej z dwóch odnawialnych źródeł energii: elektrowni słonecznej i wiatrowej oraz z magazynu energii (akumulatorów). Rozpatrywana elektrownia ma zaspokoić potrzeby wybranego gospodarstwa domowego. Ilość energii ze źródeł odnawialnych zależy od warunków meteorologicznych: nasłonecznienia i prędkości wiatru. Dane klimatyczne pochodzą ze stacji meteorologicznej Politechniki Gdańskiej. Zwymiarowanie elektrowni hybrydowej polega na określeniu jej parametrów: mocy elektrowni słonecznej, mocy elektrowni wiatrowej i pojemności magazynu energii. Badania prowadzono dla wybranych scenariuszy zapotrzebowania na energię i wybranych, reprezentatywnych dla Polski scenariuszy nasłonecznienia i prędkości wiatru. Obliczenia prowadzono na dedykowanym modelu matematycznym elektrowni.

Elektrownia hybrydowa i algorytm doboru parametrów

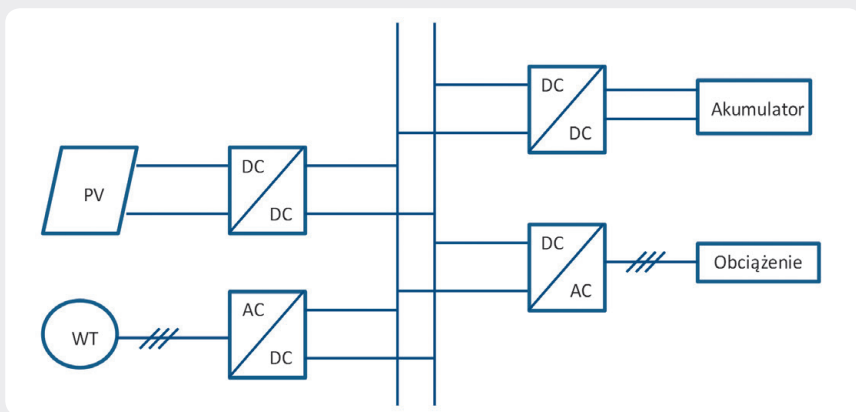
Mikroelektrownia hybrydowa może mieć różną strukturę, zależnie od celu, mocy, liczby źródeł energii, magazynu energii, przekształtników, sposobu sterowania. Na rys. 1 pokazano badaną mikroelektrownię

złożoną z elektrowni słonecznej, wiatrowej, akumulatorów i obciążenia. Integralną częścią układu są przekształtniki z zaimplementowanymi algorytmami sterowania akumulatorem energii i źródłami, w tym wymuszaniem pracy źródeł z optymalną sprawnością. Często w układzie jest dodatkowy procesor pełniący rolę układu sterowania zasobami energetycznymi (ang. EMS – *Energy Management System*). Parametry autonomicznej mikroelektrowni hybrydowej zależą od wielu czynników. Najważniejsze z nich to:

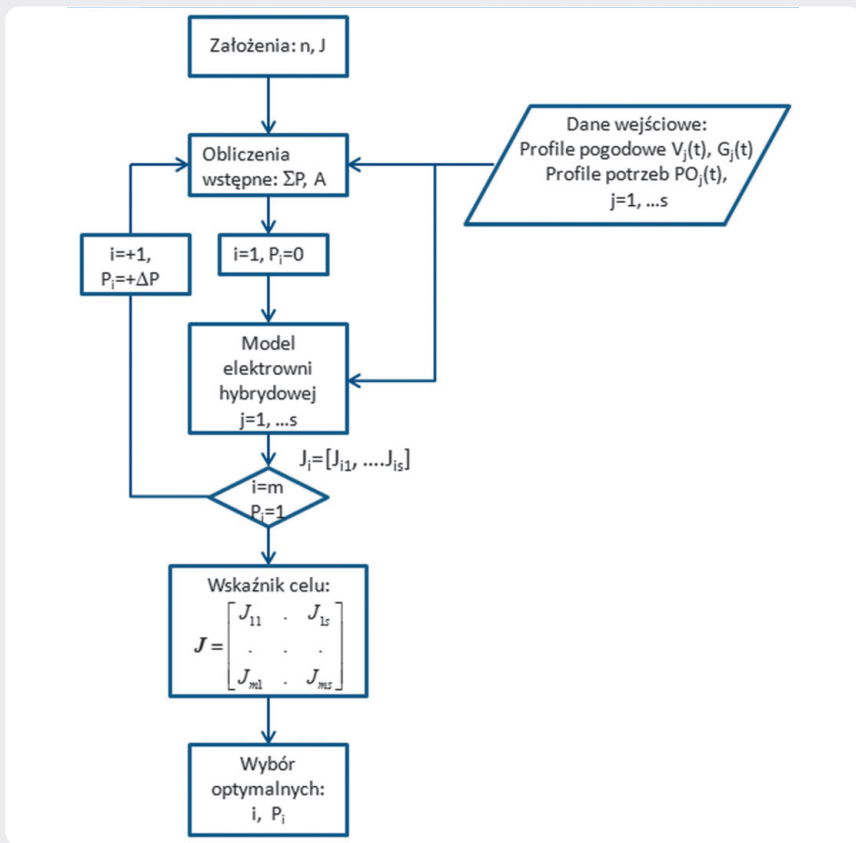
1. Podstawowy cel instalacji, którym jest niezawodne zaspokojenie potrzeb energetycznych użytkownika przez założony czas. Liczba dni autonomicznej pracy instalacji wpływa głównie na pojemność akumulatorów i w mniejszym stopniu na moc źródeł energii. Wymagany okres autonomicznej pracy instalacji, określony w godzinach albo w dniach, zależy od lokalnych warunków klimatycznych. Z analizy danych meteorologicznych wynika częstość występowania i liczba kolejnych dni, gdy ilość energii dostarczanej ze słońca i wiatru jest niewystarczająca do pokrycia potrzeb energetycznych. Za ekonomicznie uzasadniony okres autonomii przyjmuje się okres od jednego do trzech dni.
2. Zasoby energii odnawialnej (słonecznej i wiatrowej) w miejscu instalacji. Instalację elektrowni hybrydowej założono na terenie Polski, gdzie w okresie letnim więcej energii dostarcza słońce, a w okresie zimowym wiatr, więc projektowana elektrownia złożona jest z elektrowni i słonecznej, i wiatrowej. Sprawność przetwarzania energii pierwotnej na energię elektryczną jest znana, zależy od technologii urządzeń oraz sposobu sterowania i wynosi dla elektrowni słonecznej

This is a supporting translation of the original text published in this issue of "Acta Energetica" on pages 4–10. When referring to the article please refer to the original text.

PL



Rys. 1. Schemat badanej elektrowni hybrydowej



Rys. 2. Algorytm doboru parametrów elektrowni hybrydowej

zwrotu. Preferencje użytkownika mają duży wpływ na parametry instalacji. Jeżeli preferowany jest niski koszt, to skłania to do wyboru tylko elektrowni wiatrowej o odpowiednio większej mocy, natomiast szybki czas zwrotu inwestycji skutkuje mniejszą mocą źródeł kosztem gwarancji zasilania. Zależnie od priorytetów formułowany jest wskaźnik osiągnięcia celu instalacji. Wskaźnik jakości jest sumą ważoną wybranych wskaźników cząstkowych. Użytkownik instalacji ustala, jakie kryteria cząstkowe muszą być uwzględnione i jak są ważne. Do wyboru wag wskaźnika osiągnięcia celu można wykorzystać wielokryterialną metodę hierarchiczną analizy problemów decyzyjnych Saaty'ego (AHP).

Zadanie wyboru parametrów elektrowni hybrydowej polega więc na określeniu mocy elektrowni wiatrowej i słonecznej oraz pojemności akumulatorów przy założonych: preferencjach użytkownika, liczbie dni autonomii instalacji, zapotrzebowaniu na energię i zasobach energetycznych w lokalizacji. Postawione zadanie można rozwiązać w sposób trywialny. Dla założonego zapotrzebowania na energię można określić moc elektrowni wiatrowej i słonecznej, zakładając, że w okresie letnim potrzeby pokrywane są tylko z elektrowni słonecznej, a w okresie zimowym z wiatrowej. Moce źródeł należy dobrać z odpowiednim zapasem, aby w akumulatorach pozostał niezbędny zapas energii. W wyniku otrzymuje się instalację znacznie przewymiarowaną i odpowiednio droższą.

Uwzględnienie preferencji użytkownika i lokalnych warunków atmosferycznych umożliwia zoptymalizowanie parametrów elektrowni. Procedurę doboru parametrów przedstawiono na rys. 2. Wejściami do algorytmu są: założenia (wymagana liczba dni autonomii n , wskaźnik jakości J) oraz ciągi danych wejściowych ($j=1, \dots, s$). Dane wejściowe, to:

- potrzeby energetyczne użytkownika w postaci wybranych profili dobowych $PO_j(t)$
- scenariusze pogodowe wybrane na podstawie analizy danych meteorologicznych (nasłonecznienie $G_j(t)$, prędkość wiatru $V_j(t)$).

Na podstawie liczby dni autonomii i danych wejściowych określa się wstępne, podstawowe parametry elektrowni hybrydowej: pojemność akumulatorów A oraz moc sumaryczną źródeł odnawialnych ΣP . Optymalna konfiguracja elektrowni jest określana na podstawie obliczeń symulacyjnych. Dla założonych proporcji mocy elektrowni słonecznej do wiatrowej P_i :

$$P_i = \frac{PPV_i}{PW_i} \quad PPV_i + PW_i = \sum P \quad (1)$$

gdzie: PPV_i – moc elektrowni słonecznej, a PW_i – moc elektrowni wiatrowej w i -tej iteracji, wykonuje się obliczenia dla wszystkich wybranych profili: obciążenia i meteorologicznych. W wyniku obliczeń otrzymuje się dla każdej wartości P_i i dla każdego ciągu danych wejściowych wartość wskaźnika jakości J_{ij} , $i=1, \dots, m$, $j=1, \dots, s$. Po wykonaniu wszystkich obliczeń należy wybrać takie

ok. 15%, a dla wiatrowej ok. 40%. Przy znanym zapotrzebowaniu na energię i zasobach energii odnawialnej można oszacować wymaganą moc sumaryczną źródeł odnawialnych. Do rozstrzygnięcia pozostaje, jaką część zapotrzebowania pokrywa się z każdego źródła: elektrowni słonecznej i wiatrowej.

3. Potrzeby energetyczne użytkownika. Potrzeby energetyczne gospodarstw domowych czy małych przedsiębiorstw o ustalonym cyklu produkcji są na ogół możliwe do określenia. Dla optymalnego zaprojektowania elektrowni ważna jest nie tylko dobowo ilość energii, ale także profil dobowy potrzeb energetycznych

użytkownika: podstawowych i opcjonalnych. Moc źródeł zależy od wartości średniej obciążenia, natomiast pojemność akumulatorów zależy od zmienności obciążenia, wartości średnich i maksymalnych mocy oraz pory dnia. System zarządzania zasobami energetycznymi może znacznie usprawnić działanie elektrowni hybrydowej, np. przez przeniesienie zasilania odbiorów opcjonalnych na inne godziny.

4. Dodatkowe subiektywne, indywidualne priorytety użytkownika instalacji. Te priorytety to np.: zaspokojenie potrzeb energetycznych, liczba dni autonomii, koszt instalacji, wykorzystanie instalacji, czas

This is a supporting translation of the original text published in this issue of "Acta Energetica" on pages 4–10. When referring to the article please refer to the original text.

PL

proporcje P_i mocy elektrowni słonecznej do wiatrowej, które zapewniają największą wartość wskaźnika jakości. Jeżeli wskaźnik ma wartość zbyt niską, to w kolejnej iteracji należy zwiększyć moc źródeł odnawialnych i/lub pojemność magazynu energii.

Model elektrowni hybrydowej

Model elektrowni hybrydowej przedstawiono na rys. 3. Jest to uproszczony model bilansu mocy w badanym systemie.

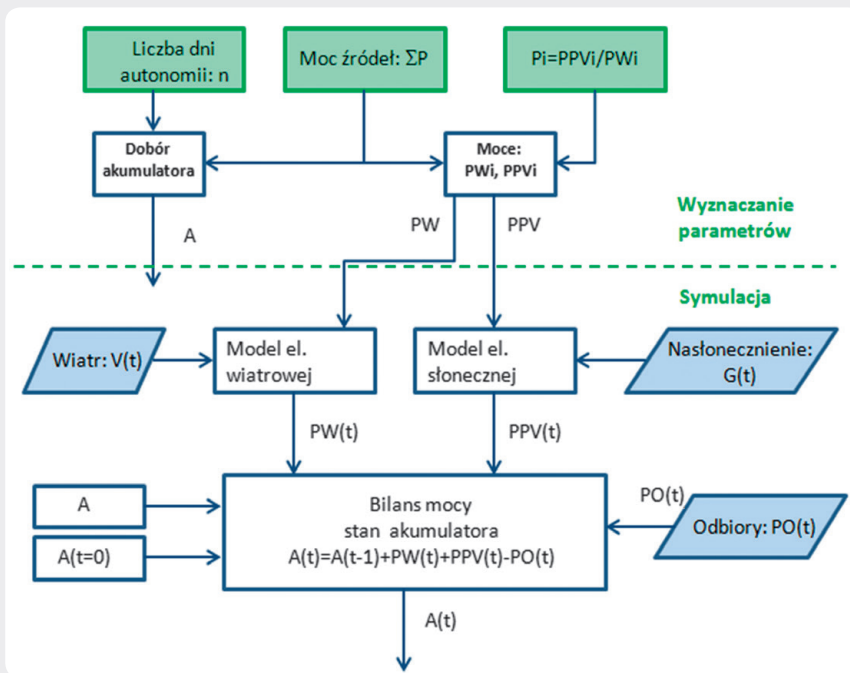
Pojemność znamionowa akumulatora A jest określana na podstawie liczby dni autonomii i mocy sumarycznej źródeł ΣP , a moce znamionowe elektrowni słonecznej PPV i wiatrowej PW zależą od założonego stosunku ich mocy P_i . Każdą symulację przeprowadza się dla założonej wartości P_i . Do bloku bilansu dopływają ciągi danych w funkcji czasu: mocy pobieranej przez odbiory $PO(t)$ i mocy dostarczonej przez źródła odnawialne $PPV(t)$ i $PW(t)$. Dane

wejściowe podawane są dla założonego okresu autonomii, od jednego do nawet pięciu dni. Moc dostarczana przez źródła odnawialne jest obliczana na podstawie modeli energetycznych modułów fotowoltaicznych i elektrowni wiatrowej. Magazyn energii jest dodatkowym źródłem z założonym początkowym zasobem energii. Stan naładowania magazynu $A(t)$ jest główną zmienną wyjściową zawierającą informację o działaniu układu: ciągłości zasilania lub niewykorzystaniu zasobów energetycznych. W trakcie symulacji dla każdego zestawu danych wejściowych obliczana jest wartość zdefiniowanego wskaźnika jakości.

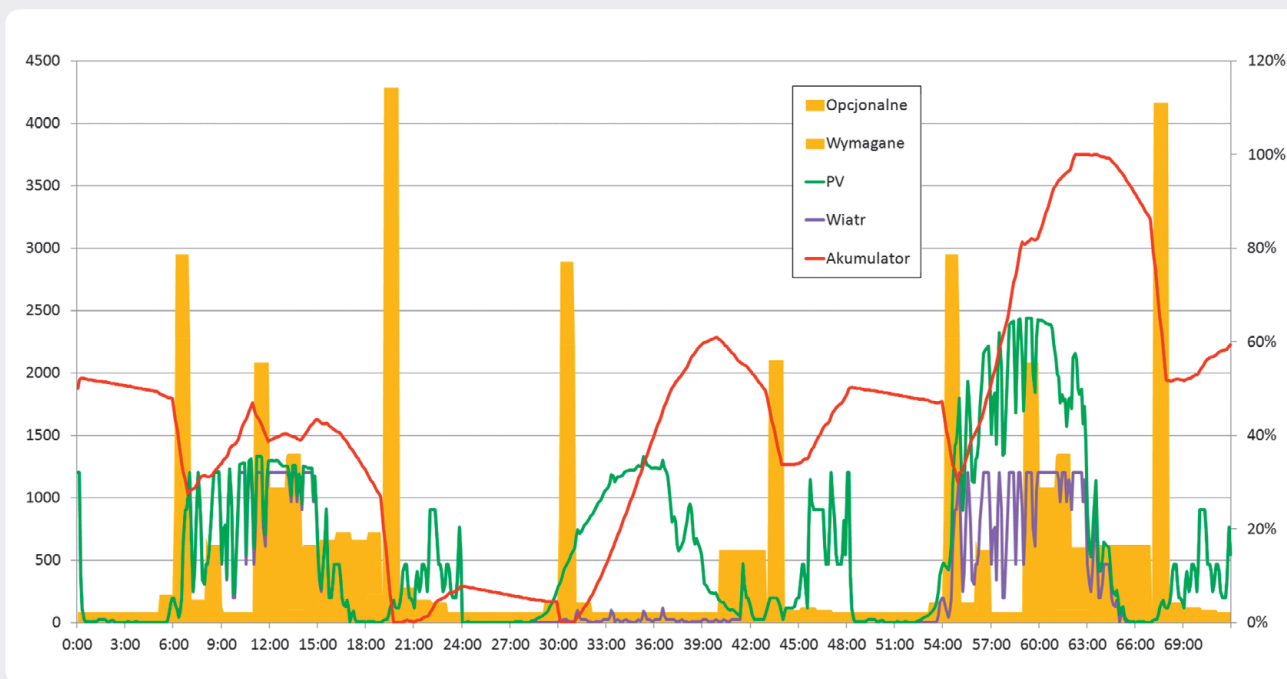
Dane wejściowe dotyczące zapotrzebowania odbiorcy są budowane na podstawie wiedzy o liczbie odbiorów, ich mocy, a także czasie i okresie działania. Profil odbiorów zmienia się w ciągu roku (lato, zima) i w ciągu tygodnia (dni powszednie, święta). Dla właściwego zaprojektowania instalacji należy przygotować kilka scenariuszy obciążenia z podziałem na odbiory wymagane i opcjonalne.

W modelu elektrowni słonecznej i wiatrowej wyliczane są moce $PPV(t)$ i $PW(t)$ dla zadanych przebiegów prędkości wiatru $V(t)$, nasłonecznienia $G(t)$ i danych katalogowych instalowanych urządzeń. Współczesne, nawet małe elektrownie wiatrowe i słoneczne współpracują z przekształtnikami, które zapewniają pracę obiektu z maksymalną sprawnością.

Elektrownia posadowiona jest w lokalizacji o określonym klimacie. Ilość energii dostarczanej przez elektrownie słoneczną i wiatrową jest zmienną losową, zależną od pory roku, dnia i miejsca. Zracjonalizowanie ilości obliczeń skłania do wybrania kilku reprezentatywnych profili danych wejściowych dla źródeł odnawialnych: nasłonecznienia i prędkości wiatru.



Rys. 3. Struktura modelu elektrowni hybrydowej



Rys. 4. Wynik obliczeń symulacyjnych dla wybranego ciągu danych wejściowych. Moc odbiorników, moce elektrowni słonecznej i wiatrowej (lewa oś) oraz pojemność akumulatora w procentach (prawa oś) w funkcji czasu (w godzinach)

This is a supporting translation of the original text published in this issue of "Acta Energetica" on pages 4–10. When referring to the article please refer to the original text.

PL

Na podstawie analizy danych ze stacji meteorologicznej Politechniki Gdańskiej za okres roku wybrano testowe ciągi danych za okres do pięciu dni, reprezentatywne dla każdej pory roku. Na rys. 4 pokazano przykładowy wynik obliczeń symulacyjnych za okres trzech dni w okresie letnim, gdy ilość energii ze słońca jest większa niż z wiatru.

W pokazanym przykładzie założono, że moc elektrowni słonecznej i wiatrowej jest taka sama, a początkowy stan naładowania akumulatorów dobranych dla jednego dnia pracy autonomicznej to 50%. Z przebiegów wynika, że system o takich parametrach nie spełnia warunku gwarancji zasilania – dwukrotnie poziom naładowania akumulatora spada do zera, natomiast pod koniec trzeciego dnia w systemie występuje niewielka nadwyżka energii. Gdyby odbiory opcjonalne zostały przeniesione na okres późniejszy, gdy poziom naładowania akumulatorów jest wyższy, to wszystkie potrzeby energetyczne zostałyby zaspokojone. Świadczy to o potrzebie stosowania w układach autonomicznych systemu zarządzania zasobami energetycznymi.

Wskaźnik osiągnięcia celu

Do oceny założonych parametrów elektrowni hybrydowej i wyników obliczeń symulacyjnych należy sformułować wskaźnik jakości. Jak wspomniano wcześniej, celów instalacji może być kilka i zależą one od preferencji użytkownika. W pracy zaproponowano wskaźnik jakości w postaci sumy ważonej modułów trzech wskaźników cząstkowych:

$$J = \sum_{k=1}^3 |O_k \cdot w_k|, \quad \sum_{k=1}^3 w_k = 1 \quad (2)$$

gdzie: J – wskaźnik jakości, O_k – wartość wskaźnika cząstkowego, w_k – waga wskaźnika cząstkowego.

Kryteria cząstkowe są miarą:

O_1 – gwarancji zasilania

O_2 – wykorzystania energii dostępnej w instalacji

O_3 – czasu zwrotu inwestycji.

Spełnienie warunku ciągłości zasilania oznacza, że w okresie badanym nie nastąpiło

rozładowanie akumulatora. Miarą wskaźnika jest odchyłka od jedności energii brakującej do pokrycia potrzeb w każdej chwili w stosunku do wymaganej. Miarą tego wskaźnika może też być odchyłka od jedności względnego czasu rozładowania akumulatorów.

$$O_1 = 1 - \frac{\int PO(t)|_{A(t)=0} dt}{\int PO(t) dt} \quad (3)$$

gdzie; $PO(t)|_{A(t)=0}$ oznacza wartość mocy odbiorów w czasie, gdy akumulator jest rozładowany.

Celem drugiego kryterium jest stałe wykorzystywanie zasobów energetycznych instalacji: energii produkowanej i zakumulowanej. Jeżeli w systemie są niewykorzystane nadwyżki energii, to wartość wskaźnika maleje. Kryterium to minimalizuje moc źródeł i dopasowuje ją do potrzeb instalacji, a jednocześnie skłania do zwiększenia pojemności akumulatorów. Miarą tego kryterium jest odchyłka od jedności lokalnych nadwyżek energii w systemie w stosunku do wymaganej:

$$O_2 = 1 - \frac{\int A(t)|_{(PPV(t)+PW(t)-PO(t))>0} dt}{\int PO(t) dt} \quad (4)$$

gdzie: $A(t)|_{(PPV(t)+PW(t)-PO(t))>0}$

oznacza poziom naładowania akumulatora, gdy w systemie występuje lokalna nadwyżka mocy produkowanej nad zużywaną.

Kryterium ekonomiczne, określone jako czas zwrotu inwestycji, wymusza ograniczenia na parametry instalacji, głównie na pojemność akumulatora. Miarą kryterium jest odchyłka od zakładanego, pożądanego czasu zwrotu. Czas zwrotu wynika z kosztów instalacji i ceny wyprodukowanej energii:

$$O_3 = 1 - \frac{\text{estymata czasu zwrotu}}{\text{pożyczany czas zwrotu}} \quad (5)$$

Dla procesu doboru parametrów instalacji istotny jest dobór wag w_k wskaźnika jakości.

Ponieważ kryteriów cząstkowych jest kilka, a współczynniki wagowe reprezentują preferencje użytkownika instalacji, to do doboru ich posłużono się metodą analizy hierarchii Saaty'ego. Metoda Saaty'ego służy do znalezienia najlepszego rozwiązania spośród wielu wariantów. Osoba decydująca ocenia kryteria cząstkowe według własnego uznania, przez porównanie parami, a relacje między nimi określane są na podstawie skali preferencji przypisującej ocenie werbalnej ocenę punktową. W tab. 1 i 2 pokazano ten proces dla przykładowych preferencji.

Wartości wag wskaźników cząstkowych w_k oblicza się zgodnie z procedurą opisaną w [1, 2]:

$$w_k = \frac{a_k^*}{a^*} \quad k = \overline{1,3} \quad (6)$$

$$a_k^* = \sqrt[3]{\prod_{j=1}^3 a_{kj}}, \quad k = \overline{1,3} \quad (7)$$

$$a^* = \sum_{k=1}^3 a_k^* \quad (8)$$

W przypadku danych z tab. 2 te wagi wynoszą odpowiednio:

$$w = [w_1, w_2, w_3] = [0,68; 0,21; 0,11] \quad (9)$$

czyli najważniejsze jest zapewnienie ciągłości zasilania. Przy innych preferencjach użytkownika współczynniki wagowe miałyby inne wartości.

W wyniku obliczeń symulacyjnych otrzymuje się dla każdego zbioru danych wejściowych wartość wskaźnika jakości zgodnie z (2). Dla przypadku z rys. 4 wartość wskaźnika wynosi 0,76.

Dobór parametrów elektrowni hybrydowej

Wstępne parametry (czyli sumaryczna moc źródeł i pojemność akumulatora) dobierane są dla średniego zapotrzebowania i liczby dni autonomii, przy uwzględnieniu sprawności urządzeń i pewnego zapasu mocy (np.: 30%). Serie badań symulacyjnych

Kupno instalacji	Brak przerwy w dostawie	Maksymalne wykorzystanie wyprod. en.	Warunki finansowe kupna
Brak przerwy w dostawie	1	<input checked="" type="checkbox"/> istotna preferencja	<input checked="" type="checkbox"/> słaba/istotna preferencja
Maksymalne wykorzystanie wyprod. en.	<input type="checkbox"/>	1	<input checked="" type="checkbox"/> słaba preferencja
Warunki finansowe kupna	<input type="checkbox"/>	<input type="checkbox"/>	1

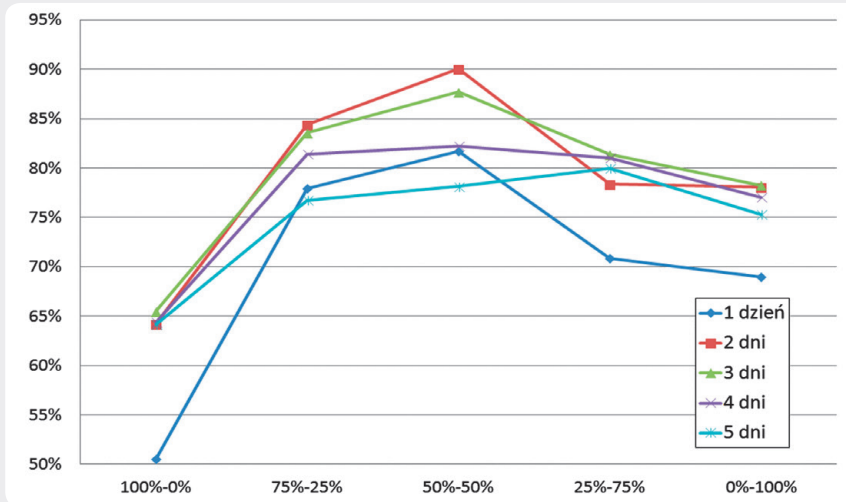
Tab. 1. Tabela preferencji w postaci tekstowej

Kupno instalacji	Brak przerwy w dostawie	Maksymalne wykorzystanie wyprod. en.	Warunki finansowe kupna
Brak przerwy w dostawie	1	5	4
Maksymalne wykorzystanie wyprod. en.	0,2	1	3
Warunki finansowe kupna	0,25	0,333333333	1

Tab. 2. Tabela preferencji przetworzonych na dane liczbowe

This is a supporting translation of the original text published in this issue of "Acta Energetica" on pages 4–10. When referring to the article please refer to the original text.

PL



Rys. 5. Wartość wskaźnika jakości w funkcji mocy elektrowni słonecznej (100% na lewym końcu osi) i wiatrowej (100% na prawym końcu) i dla różnej liczby dni autonomii (od 1 do 5).

wykonuje się dla konkretnych profili obciążenia i warunków meteorologicznych, ale dla różnego udziału elektrowni słonecznej i wiatrowej. W wyniku wszystkich obliczeń otrzymuje się zbiory parametrów: moc elektrowni słonecznej, moc elektrowni wiatrowej i wartość wskaźnika jakości dla każdej pory roku i założonego okresu autonomii.

Otrzymane wyniki należy ocenić i określić optymalne rozwiązanie dla każdej pory roku (sezonowy wskaźnik jakości), a następnie dla całego roku (średnia roczna), uwzględniając częstość występowania rozpatrywanych przypadków. Wyboru dokonuje się na podstawie zbiorów wartości współczynnika jakości. Sposób wyboru zależy od liczby badanych scenariuszy. Przy małej liczbie może to być zestaw parametrów, dla którego średnia arytmetyczna wskaźników jakości jest największa, natomiast przy dużej liczbie badanych scenariuszy powinna być to wartość najbardziej prawdopodobna statystycznie (np. mediana).

Na rys. 5 pokazano wyniki obliczeń wskaźnika jakości J z wagami (9) dla badanego przykładu. Jak wynika z rysunku w warunkach polskich bardziej korzystne jest zwiększanie mocy elektrowni wiatrowej kosztem słonecznej. Dla przyjętego kryterium jakości najbardziej korzystne są podobne moce obu elektrowni. Liczba dni autonomii też ma istotny wpływ na wartość wskaźnika jakości. Dobór parametrów elektrowni przy założeniu jednego dnia pracy autonomicznej skutkuje większymi mocami elektrowni, a zbyt długi okres pracy autonomicznej znacznym zwiększeniem pojemności akumulatorów. Oba te przypadki nie są optymalne dla założonej postaci wskaźnika. Wskaźnik jakości osiąga największe wartości dla 2–3 dni autonomii.

Bardzo istotny dla wyniku obliczeń jest wybór badanych scenariuszy pogodowych odzwierciedlających realne warunki klimatyczne i częstość ich występowania. Trzeba mieć świadomość, że otrzymany wynik jest skutkiem nie tylko warunków klimatycznych i wymagań energetycznych, ale także postaci wskaźnika jakości.

W przypadku uzyskania dla danej konfiguracji bardzo wysokiej wartości wskaźnika jakości można powtórzyć obliczenia dla mniejszej mocy źródeł, a w przypadku zbyt niskiej wartości moc źródeł można zwiększyć. Proces doboru parametrów elektrowni hybrydowej jest więc procesem iteracyjnym, a przedstawiona metoda i algorytm są tylko narzędziami pomocniczymi.

Podsumowanie

W artykule zaproponowano procedurę doboru parametrów małej elektrowni hybrydowej: mocy elektrowni słonecznej i wiatrowej oraz pojemności akumulatora. Dobór przeprowadzono w oparciu o uproszczony model symulacyjny elektrowni, opisujący proces konwersji energii pierwotnej na energię elektryczną, oraz bilans mocy w systemie. Obliczenia symulacyjne przeprowadzono dla wybranych ciągów danych wejściowych:

- profili zapotrzebowania na energię elektryczną odbiorcy w różnych okresach roku i dni tygodnia
- danych meteorologicznych reprezentatywnych dla danego miejsca i pory roku oraz wybranych na podstawie analizy danych meteorologicznych za okres ostatniego roku.

Badania przeprowadzono dla różnego udziału elektrowni słonecznej i wiatrowej w pokryciu zapotrzebowania na energię (od 0% do 100%) i różnej liczby założonych dni pracy autonomicznej elektrowni hybrydowej.

Do oceny wyniku, a więc i wyboru optymalnych parametrów elektrowni, sformułowano wskaźnik jakości uwzględniający indywidualne preferencje użytkownika. Współczynniki wagowe we wskaźniku jakości dobrano metodą analizy hierarchii Saaty'ego.

Ilość obliczeń symulacyjnych zależy od liczby profili zapotrzebowania i pogodowych oraz od rozdzielczości tzw. współczynnika podziału, czyli stosunku mocy elektrowni słonecznej do wiatrowej. Obliczenia nie są czasochłonne i nie wymagają złożonych

narzędzi obliczeniowych. Każda doba symulacji to tylko 24 kroki obliczeniowe przy godzinowej rozdzielczości danych.

W wyniku serii obliczeń otrzymuje się dla każdego ciągu danych wejściowych i dla każdego zestawu parametrów elektrowni wartość wskaźnika jakości. Można z tych danych uzyskać optymalne parametry elektrowni dla każdego zestawu danych wejściowych (czyli profilu obciążenia i pogodowego), następnie dla każdej pory roku i dla całego roku. Otrzymane parametry elektrowni hybrydowej spełniają wymagania na określonym poziomie, w tym sensie, że minimalizują ryzyko nieosiągnięcia rezultatów. Zawsze mogą zdarzyć się losowe sytuacje wynikające z pogody, że nawet bardzo starannie zaprojektowana instalacja nie spełni oczekiwań.

Przedstawiona metodologia doboru parametrów nie jest jedyną metodą [3] i nie zapewnia 100% spełnienia oczekiwań, ale w procedurze doboru uwzględniono tak ważne czynniki, jak preferencje użytkownika, lokalne warunki klimatyczne i potrzeby energetyczne odbiorcy.

Bibliografia

1. Michoński A., Optymalizacja elektrowni hybrydowej małej mocy, praca dyplomowa inżynierska, Politechnika Gdańska, 2016.
2. Saaty T.L., A scaling method for priorities in hierarchical structures, *Journal of Mathematical Psychology* 1977, No. 15, s. 234–281.
3. Kaldellis J.K., Kavadias K.A., Koronakis P.S., Comparing wind and photovoltaic stand-alone power systems used for the electrification of remote consumer, *Renewable and Sustainable Energy Reviews* 2007, Vol. 11, No. 1, s. 57–77.

This is a supporting translation of the original text published in this issue of "Acta Energetica" on pages 4–10. When referring to the article please refer to the original text.

PL

Elżbieta Bogalecka

dr hab.

Politechnika Gdańska

e-mail: elzbieta.bogalecka@pg.gda.pl

Ukończyła Wydział Elektrotechniki i Automatyki Politechniki Gdańskiej (1976), tam też zdobyła doktorat (1987) i habilitację (1998). Przedmiotem jej badań są: automatyka napędu elektrycznego, a szczególnie algorytmy sterowania elektrownią wiatrową, w tym sterowanie bezczujnikowe i energetyka odnawialna. Autorka kilkudziesięciu prac z tej dziedziny.

Aleksander Michoński

inż.

Politechnika Gdańska

e-mail: alemicho@pg.gda.pl

Absolwent studiów inżynierskich I stopnia na Wydziale Elektrotechniki i Automatyki Politechniki Gdańskiej na kierunku automatyka i robotyka (2017).

Obecnie student studiów magisterskich II stopnia na tym samym kierunku.