

# Performance analysis of power swing blocking feature in ABB 670 series impedance relays

## Authors

Maciej Łosiński  
 Jacek Klucznik

## Keywords

electric power system, power swing detection, distance relay

## Abstract

This paper presents test results of a distance protection's PSD power swing detection feature in ABB 670 series relays. A RED670 relay was tested, which is part of the hydroelectric set protection in Żarnowiec Pumped Storage Plant. The power swing blocking feature's performance was analysed on the basis of the results of object tests made with an Omicron digital tester. Also presented are simulation results that illustrate the PSD feature's response to power swings caused by a disturbance in the power system. It is also shown how a distance protection may react to the same fault, depending on its settings.

## 1. Introduction

An impedance protection relay installed in a power system is exposed to unnecessary activation and tripping in response to power swings. The most common cause of power swings are disturbances in the form of a short circuit in the transmission grid. Depending on the short circuit location and duration, power swings may be synchronous or asynchronous. If a short circuit occurs near a generation node, and the time of its elimination is not too long, then it should cause no loss of a generators' synchronism. In such a case some strong power swings may appear, accompanied by large changes in currents and voltages in transmission and unit output lines. These changes mean a decrease in the impedance seen by distance protection. When the impedance seen by a relay is reduced to a value corresponding to the relay's measuring zones, it can lead to its unnecessary response and tripping of a generator or a line. Such tripping can lead to loss of synchronism of the other generators, or overload of lines, which in turn may lead to a profound failure of the power system (black-out).

In the case of a short circuit that lasts too long and has occurred close to a power plant, the power system also may lose synchronism by the plant generators' falling out of step and transition to asynchronous operation. This asynchronous operation phenomenon is accompanied also by very significant changes in currents and voltages, which leads to rapid changes in the impedance seen by a distance protection. Also in this situation, the protection may unnecessarily respond and switch off

a transmission line. Generators, which have assumed asynchronous operation, should be selectively tripped by dedicated PSP pole slip protections.

In order to reduce the risk of a distance protection's unnecessary response to power swings, the protection is provided with a so called PSD power swing detection feature. The feature distinguishes between an impedance change caused by power swings from that caused by a short circuit, and in the case of power swings developing it should block the protection's impedance functions. It is important that the power swing blocking feature of a distance protection performs correctly, i.e. properly recognizes synchronous and asynchronous swings. A very important issue is the right choice of a PSD feature's settings.

In this paper the operating principle of the power swing blocking feature for the distance protection functions of ABB 670 series relays is presented. Also presented are results of, and conclusions from, object and simulation tests that illustrate the PSD feature performance in the relays installed in Żarnowiec Pumped Storage Power Plant.

## 2. Operating principle of PSD power swing detection feature in ABB 670 series relays

The distance protection in an ABB 670 series relay is a multi-zone protection (RED670 – 3 zones, RET670 – 4 zones, REL670 – 5 zones), with the option of individual settings of resistance and reactance ranges, and response direction, for each zone. Impedance is measured independently for each of the possible

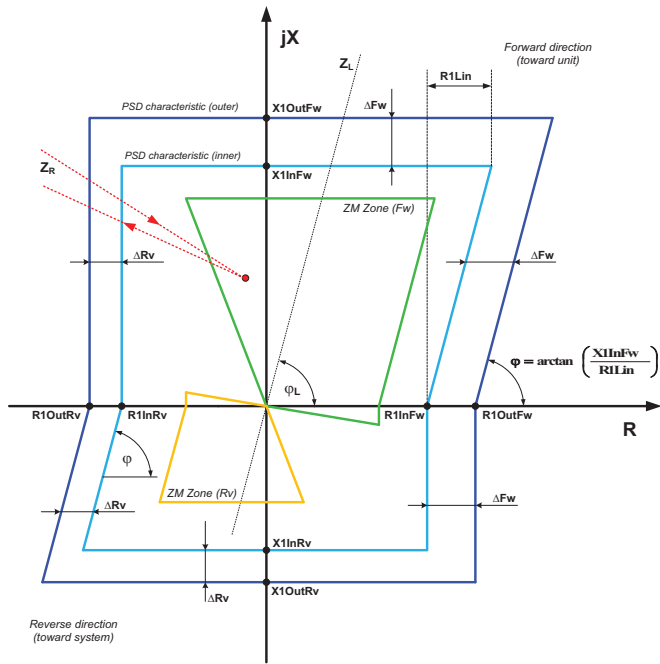


Fig. 1. Available options of PSD power swing blocking characteristic in ABB REx670 relays ( $\Delta Fw = RLdOutFw * (1 - kLdRFw)$ ,  $\Delta Rv = RLdOutRv * (1 - kLdRRv)$ ,  $X1OutFw = X1InFw + \Delta Fw$ ,  $R1OutFw = R1InFw + \Delta Fw$ ,  $X1OutRv = X1InFw + \Delta Rv$ ,  $R1OutRv = R1InFw + \Delta Rv$ )

short circuit loops: three phase-to-phase fault loops, and three phase-to-ground fault loops.

Fig. 1. shows the PSD feature's inner and outer polygonal impedance characteristic with parameters by which it can be shaped. In tab. 1 the PSD feature's settings are specified with their ranges and descriptions.

The impedance measurement used by the PSD feature is based on the same algorithm that is used by the distance protection's measuring zones, and is performed independently for each of L1, L2, L3 phases. The power swing detection feature can operate in two modes: 1 of 3 or 2 of 3. In the 1 of 3 mode the feature responds upon detecting power swings in any of the three phases. In the 2 of 3 mode the blocking feature is activated upon detecting swings in at least two phases. The swing detection mode can be set permanently in the relay's logic, or can be made on the basis of an external signal applied to the appropriate binary input.

The power swing blocking feature's performance consists in measuring its inner and outer impedance characteristics.

If an impedance transit duration between the PSD feature's zones measured is longer than time tP1 set in the time element, then selected distance zones are blocked. Power swings are recognized as consecutive if the measured impedance leaves the PSD outer characteristic for a period of time shorter than tW set in the time element. In such a case, time element tP2 is

Parameter	Scope	Default setting	Unit	Description
Operation	On Off	Off	–	PSD feature: ON – enabled, OFF – disabled
X1InFw	0.10–3000.00	30.00	Ω	Positive sequence reactance component defining reactance range of inner "forward" characteristic
R1InFw	0.10–1000.00	30.00	Ω	Positive sequence resistance component defining resistance range of inner "forward" characteristic
R1Lin	0.10–1000.00	30.00	Ω	Line resistance for determining angle of inner resistance "forward" characteristic $\phi = \arctan\left(\frac{X1InFw}{R1Lin}\right)$
X1InRv	0.10–3000.00	30.00	Ω	Positive sequence reactance component defining reactance range of inner "reverse" characteristic
R1InRv	0.10–1000.00	30.00	Ω	Positive sequence resistance component defining resistance range of inner "reverse" characteristic
Operation LdCh	On Off	On	–	Load cut-off
RLdOutFw	0.10–3000.00	30.00	Ω	Resistance determining inner resistance limit for "forward" load
ArgLd	5–70	25	°	Angle determining load impedance area
RLdOutRv	0.10–3000.00	30.00	Ω	Resistance determining outer resistance limit for "reverse" load
kLdRFw	0.50–0.90	0.75	–	Multiplier for determining inner resistance limit for "forward" load
kLdRRv	0.50–0.90	0.75	–	Multiplier for determining inner resistance limit for "reverse" load
IMinOpPE	5–30	10	%IB	Minimum PSD activation current
IBase	1–99999	3000	D	Base current for current settings
tP1	0.000–60.000	0.045	s	Time setting for detection of the first (slow) power swing
tP2	0.000–60.000	0.015	s	Time setting for detection of successive (faster) power swings
tW	0.000–60.000	0.250	s	Waiting time until activation of time element tP2 (instead of tP1) responsible for identification of successive faster power swings. Time tW is counted from the impedance's exit from the outer PSD characteristic during swings until it re-enters the PSD zone
tH	0.000–60.000	0.500	s	Hold time of PSD output signal after impedance's exit from PSD_out zone
tEF	0.000–60.000	3.000	s	Time delay to wait out the dead time in a single-phase auto-reclose cycle
tR1	0.000–60.000	0.300	s	Time setting for delay of PSD feature's blocking response (INHIBIT blocking signal) to ground fault (zero sequence current component) detection during power swing
tR2	0.000–60.000	2.000	s	Time setting for resetting PSD output signal at very slow power swings (unblocking time). The PSD feature is blocked (power swing blocking deactivation) when the measured impedance remains in PSD_in area for set time tR2

Tab. 1. PSD settings in ABB 670 series relays

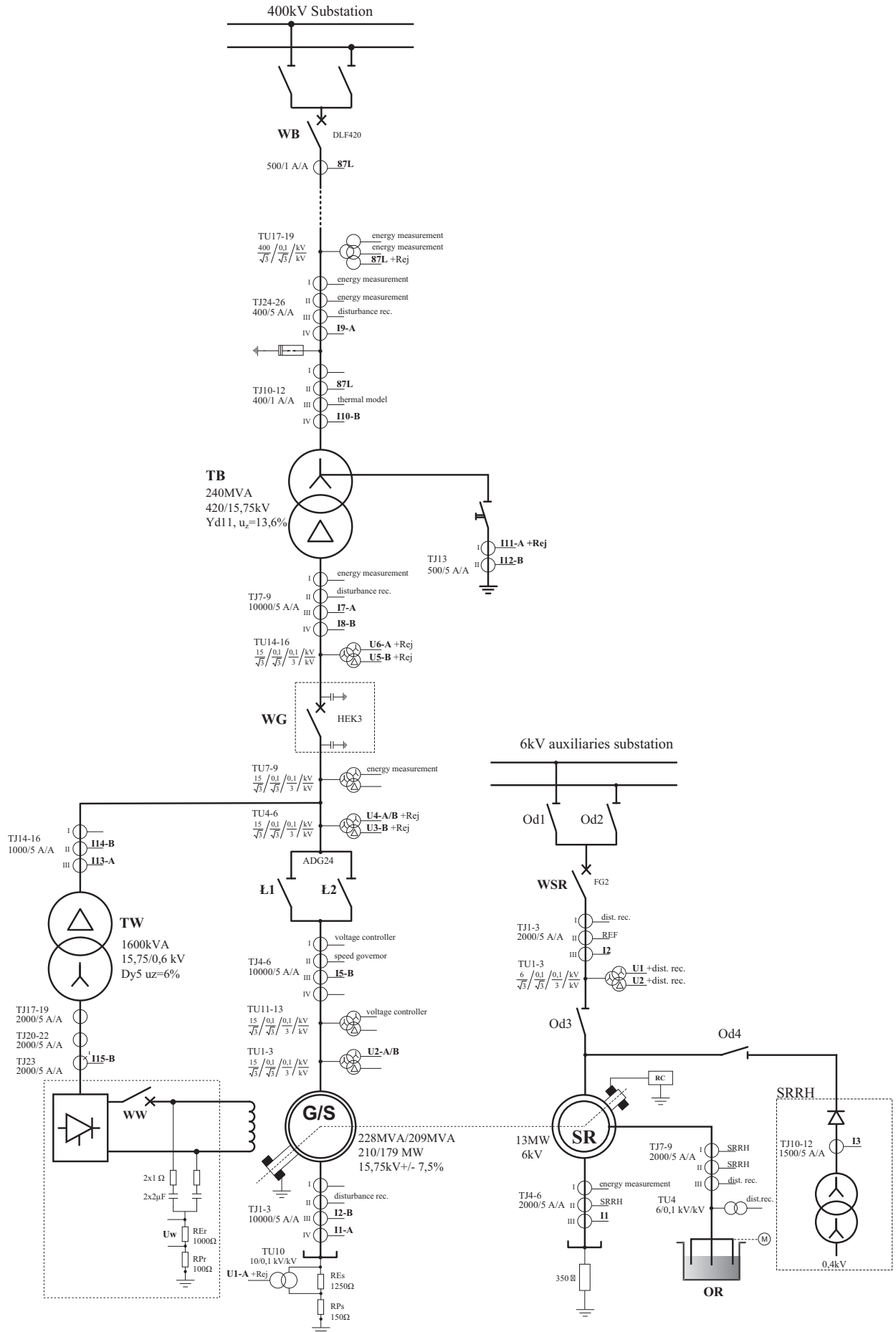


Fig. 2. Żarnowiec hydro electric set's power output diagram

used to determine whether these are consecutive, faster swings. If an impedance transits between PSD zones in a period longer than  $t_{P2}$ , then such swings are treated as just consecutive in the same event. Owing to the ability to set individual detection times for the first and subsequent swings, subsequent swings can be detected with an impedance change rate ( $dZ/dt$ ) much higher than that of the first swing. Setting too short a time  $t_{P1}$  for the impedance's first-pass through the PSD characteristic could result in the blocking feature not distinguishing between a swing and a short circuit.

The power swing blocking feature remains activated until the impedance leaves its outer characteristic. The activation may be extended by the  $t_H$  setting, counted after the impedance has left the PSD outer zone. If a power swing has been detected and the measured impedance remains in the blocking feature's active characteristic area for a time longer than the setting  $t_{R2}$  (so called unblocking time), then the PSD feature is disabled.

A swing blocking feature may be disabled also if a ground fault (zero sequence component current) occurs during power swings. In such a case, after delay time  $t_{R1}$ , counted from the time of fault detection, the distance zones are unblocked (PSD feature disabled).

The PSD power swing detection feature in ABB 670 series relays can be supplemented by additional so-called PSL – power swing logic. This additional feature enables rapid and selective elimination of various fault lines in the protected line during power swings in the power system.

### 3. Power swing blocking tests in RED670 relay

The ABB RED670 relay was tested, which is part of the hydroelectric set protection in Żarnowiec Pumped Storage Plant. The hydroelectric set's power output diagram is shown in fig. 2. This relay's primary function is differential current protection of the unit line (87L). The protection consists of two half-sets (relays): one is deployed in Żarnowiec 400 kV substation, the other in the unit protection cabinets in Żarnowiec hydro plant. The two half-sets communicate digitally over a fibre optic link. The RED670 relay in the hydro plant is additionally provided with distance protection functionality. The relay measures the impedance seen from the unit generator transformer's high voltage side. Two distance zones ZM02 ZM01 have been activated that cover the generator unit transformer and generator. The first zone covers 70% of the transformer windings, while the other zone entirely protects the generator unit transformer and generator. The distance protection is a back up for the REG216 relays' basic protections against the unit's internal fault.

For the tests of the RED670 relay's power swing blocking feature a digital CMC 256-6 Omicron relay tester was used. In addition, to generate from the relay tester currents and voltages that reflect power swings the State Sequencer software was used, which is part of Test Universe package supplied by Omicron. The tester generated three-phase symmetrical power swings.

Further in the paper test results are presented showing the swing blocking feature's and distance zones' response to changes in the

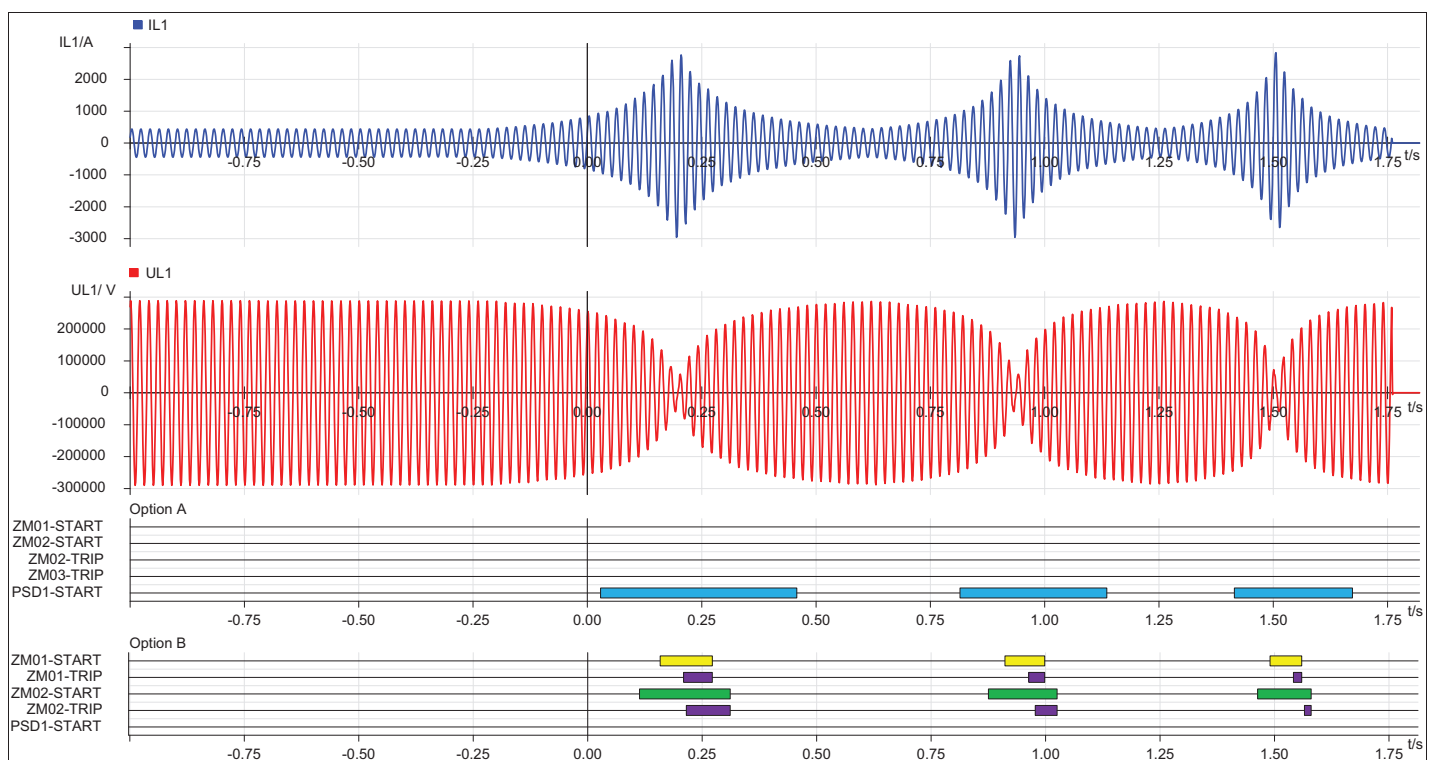


Fig. 3. An example of voltage and current waveform recorded by RED670 relay during three-phase synchronous power swings generated by an Omicron CMC256-6 tester. Three entries of impedance trajectory to distance measuring zone ZM01 and ZM02 ( $t_{ZM01} = 50$  ms,  $t_{ZM02} = 100$  ms). Impedance change rate:  $dZ1/dt = 1500 \Omega/s$ ,  $dZ2/dt = 2000 \Omega/s$ ,  $dZ3/dt = 2500 \Omega/s$ . Option A: PSD enabled – distance zones blocked, Option B: PSD disabled – visible activation and response of distance zones

impedance seen by the relay, running along trajectories occurring during synchronous and asynchronous power swings. Exemplary waveforms of signals generated by the tester during power swings and the tested relay's response are shown in fig. 3. The voltages, currents and impedances in the presented waveforms and characteristics relate to the set generator transformer's high voltage side (400 kV).

### 3.1. Synchronous swings

Fig. 4 and 5 present a waveform of the impedance trajectory measured by RED670 relay while synchronous swings are generated by Omicron CMC 256-6 microprocessor tester. The figures illustrate the distance protection's and power swing blocking

feature's impedance measuring zones defined in the relay. In each test three synchronous swings were generated with specific angle  $\varphi$  of the impedance trajectory's inclination to real axis R and defined impedance change rate  $dZ/dt$ . Moreover, during subsequent swings the time of the measured impedance's stay outside the outer PSD feature zone was changed in order to show the impact of parameter  $tW$  (waiting time until activation of time element  $tP2$ ) on the swing blocking feature's performance. All tests were performed at zero value of the PSD feature's parameter  $tH$  ( $tH$  – hold time of PSD output signal after impedance's exit from the outer zone). For angles  $\varphi$  from  $0^\circ$  to  $90^\circ$  range the impedance trajectory was running as in fig. 4. During each swing the impedance was decreasing from the start point

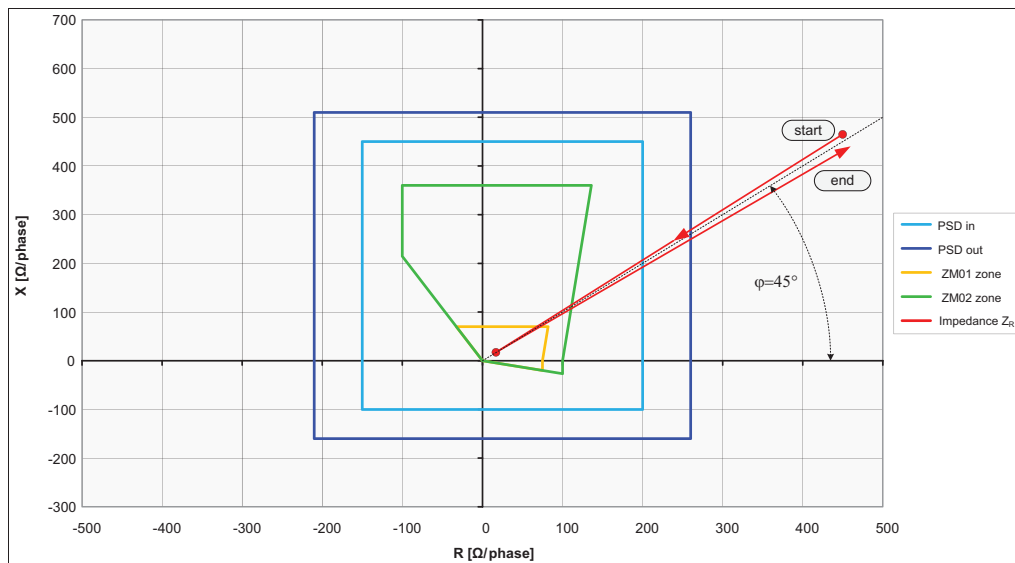


Fig. 4. Impedance vector  $Z_r$  trajectory at synchronous power swings generated by CMC-256-6 tester versus characteristics of PSD and distance zones ZM01, ZM02 (trajectory inclination angle:  $\varphi 45^\circ$ )

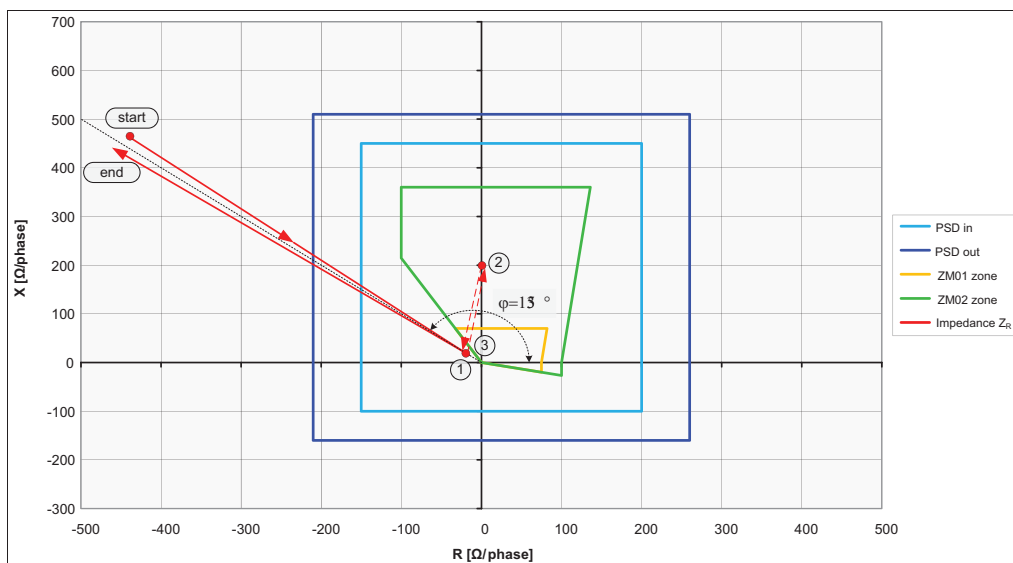


Fig. 5. Impedance vector  $Z_r$  trajectory at synchronous power swings generated by CMC-256-6 tester versus characteristics of PSD and distance zones ZM01, ZM02 (trajectory inclination angle:  $\varphi 135^\circ$ )

up to the minimum, near point (0,0) in RX plane, at a certain rate  $dZ/dt$ . After reaching the minimum the situation reversed – the impedance was increasing the same rate up to the end point. The subsequent swing could be delayed by leaving the impedance vector in the end point for a preset time. The test impedance trajectories at angles  $\varphi$  over  $90^\circ$  are presented in fig. 5. In this case, the impedance was changing during a specific swing

as follows: between the start point and point 1 the impedance was changing at a specific rate  $dZ/dt$ , from point 1 to point 2 the impedance was step-changing, in point 2 the impedance stayed for a specified time (200 ms), and then it was step-moving to point 3 and increasing at rate  $dZ/dt$  to the end point. Sample test results showing RED670 relay's PSD response to synchronous power swings are presented in tab. 2.

Test	$\varphi$ [°]	swing	$dZ/dt$ [ $\Omega/s$ ]	$\Delta t$ PSD [ms]	t PSD set [ms]	t ZM01 set [ms]	t ZM02 set [ms]	t PSD out [ms]	Remarks
1	45	I	1500	56 > tP1	–	114 (118)	198 (202)	320 < tW	PSD disabled During each swing the distance zones are activated and respond
		II	2000	42 > tP2	–	87 (88)	150 (152)	240 < tW	
		III	2500	34 > tP2	–	69 (71)	117 (121)	–	
2	45	I	1500	56 > tP1	429 (427)	– (118)	– (202)	320 < tW	PSD enabled During each swing PSD is activated, no distance zones are activated
		II	2000	42 > tP2	321 (320)	– (88)	– (152)	240 < tW	
		III	2500	34 > tP2	258 (256)	– (71)	– (121)	–	
3	45	I	1500	56 > tP1	430 (427)	– (118)	– (202)	320 < tW	PSD enabled Between the second and third swings the time of the impedance's stay outside of PSD characteristic was extended. At the third swing PSD is not activated (tPSDout > tW – active tP1 timer)
		II	2000	42 > tP2	322 (320)	– (88)	– (152)	640 > tW	
		III	2500	34 < tP1	–	69 (71)	120 (121)	–	
4	90	I	1000	60 > tP1	954 (949)	– (119)	– (709)	220 < tW	PSD enabled During each swing PSD is activated.
		II	1400	42 > tP2	681 (678)	– (85)	– (507)	170 < tW	
		III	1600	37 > tP2	597 (593)	– (74)	– (443)	–	
5	90	I	1000	60 > tP1	954 (949)	– (119)	– (709)	220 < tW	PSD enabled During the third swing $\Delta t$ PSD < tP2 – no PSD response to the third swing
		II	1400	42 > tP2	681 (678)	– (85)	– (507)	150 < tW	
		III	2100	28 < tP2	–	60 (57)	345 (228)	–	
6	135	I	1500	56 > tP1	530 (532)	–	– (200)	400 < tW	PSD enabled Between the second and third swings the time of the impedance's stay outside of PSD characteristic was extended. At the third swing PSD is not activated (tPSDout > tW – active tP1 timer)
		II	2000	42 > tP2	446 (449)	–	– (200)	710 > tW	
		III	2500	34 < tP1	–	–	187 (200)	–	
7	135	I	1500	56 > tP1	530 (532)	–	– (200)	400 < tW	PSD enabled During the third swing $\Delta t$ PSD < tP2 – no PSD response to the third swing
		II	2000	42 > tP2	446 (449)	–	– (200)	280 < tW	
		III	3000	28 < tP2	–	–	188 (200)	–	
8	225	I	1500	56 > tP1	435 (438)	–	– (200)	480 < tW	PSD enabled During each swing PSD is activated.
		II	2000	42 > tP2	381 (379)	–	– (200)	370 < tW	
		III	2500	34 > tP2	339 (343)	–	– (200)	–	
9	225	I	1500	56 > tP1	436 (438)	–	– (200)	480 < tW	PSD enabled During the third swing $\Delta t$ PSD < tP2 – no PSD response to the third swing
		II	2000	42 > tP2	380 (379)	–	– (200)	340 < tW	
		III	3000	28 < tP2	–	–	176 (200)	–	

Tab. 2. Test results of RED670 relay's PSD response to synchronous power swings

PSD settings:  $X1InFw = 450 \Omega$ ,  $R1InFw = 200 \Omega$ ,  $\Delta Fw = 60 \Omega$ ,  $X1InRv = 100 \Omega$ ,  $R1InRv = 150 \Omega$ ,  $\Delta Rv = 60 \Omega$ ,  $tP1 = 50$  ms,  $tP2 = 30$  ms,  $tW = 600$  ms,  $tH = 0$  s,  $tR2 = 4$  s.



Designations in the table:

- $\varphi$  – angle of impedance trajectory inclination to real axis R
- $dZ/dt$  – rate of impedance change during swing
- $\Delta t$  PSD – duration of impedance transit through PSD characteristic (determined on the basis of  $dZ/dt$  and angle  $\varphi$ )
- t PSD set – PSD activation time recorded by RED670 relay (in parentheses the PSD activation time calculated on the basis of  $dZ/dt$  and angle  $\varphi$ )
- t ZM01 set – ZM01 zone activation time recorded by RED670 relay (in parentheses the duration of impedance vector stay in ZM01 zone calculated on the basis of  $dZ/dt$  and angle  $\varphi$ )
- t ZM02 set – ZM02 zone activation time recorded by RED670 relay (in parentheses the duration of impedance vector stay in ZM02 zone calculated on the basis of  $dZ/dt$  and angle  $\varphi$ )
- t PSD out – duration of impedance stay outside PSD characteristic (time between subsequent swings determined on the basis of  $dZ/dt$  and angle  $\varphi$ ).

It can be concluded based on results of the RED670 relay tests during synchronous swings that its PSD feature performs as described in the manufacturer's documentation. At the impedance trajectory's transit through PSD characteristic in a time longer than set point (tP1, tP2) the PSD feature was activated and the distance zones blocked. During the PSD feature's stimulation and impedance vector's stay in distance zones for a time longer for the zones' set points the relay didn't respond and generated no trip signal. Also timer tP2 was properly activated at subsequent swings, if the impedance returned to PSD zone in a time shorter than tW set point. If this time was exceeded, then

tP1 timer re-activated, and PSD didn't respond to faster swings. It should be noted that the PSD activation times and the durations of impedance stays in distance zones recorded by RED670 relay were consistent with the times calculated on the basis of parameters of the impedance characteristic and of the trajectory generated by the relay tester.

PSD performance at the impedance vector's step-entry to PSD zone was also tested. The impedance trajectory versus relay impedance characteristics during these tests is shown in fig. 6. After starting the test the impedance stayed for a specified period in the start point. Then the impedance step-changed to point 1 between the outer and inner PSD characteristics. After the step change the impedance vector began to move along the trajectory between points 1 and 2 at set rate  $dZ/dt$ . After reaching point 2 the impedance value step-changed to point 3 in distance zone ZM02. In point 3 the impedance vector stayed longer than the setting for the ZM02 zone, followed by another step transfer to the end point.

This test showed that PSD properly responds to the impedance's step-entry to its zone. If the impedance vector has stayed in the PSD characteristic zone longer than set point tP1, the PSD responds and the relay's impedance zones are blocked.

### 3.2. Asynchronous swings

Impedance trajectory during the tests of RED670 relay's performance at asynchronous swings is presented in Fig. 7. The figure also shows the defined distance zones and PSD feature's impedance characteristics. In each test asynchronous rotations were generated with a given rate of change of the impedance's real part  $dR/dt$ . The trajectory between the start and end points, which the impedance vector seen by the relay moves along, has an elliptical shape.

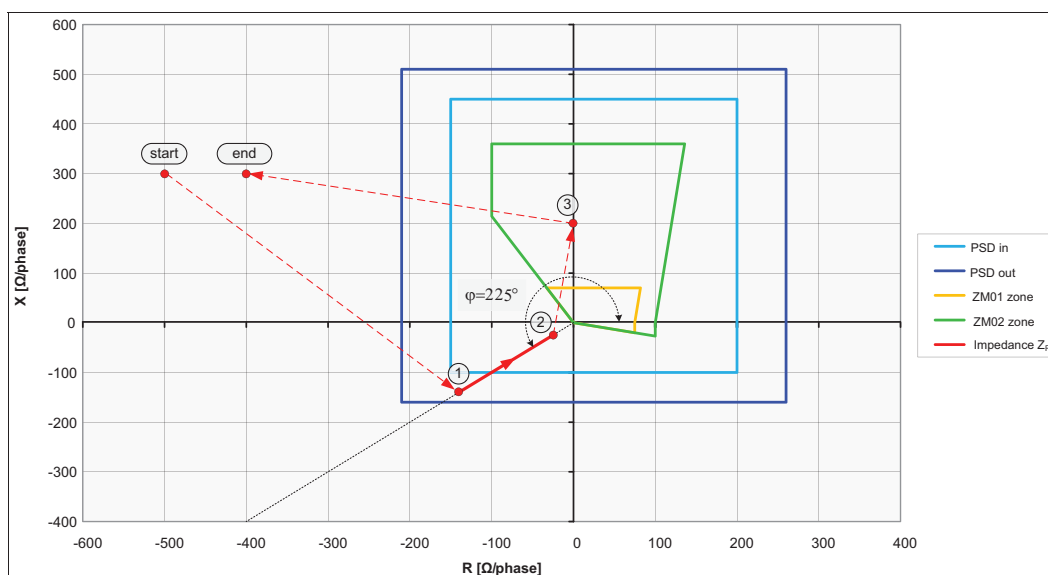


Fig. 6. Impedance vector  $Z_r$  trajectory at synchronous power swings generated by CMC-256-6 tester versus characteristics of PSD and distance zones ZM01, ZM02 ( $Z_r$  vector step-enters PSD zone, trajectory inclination angle:  $\varphi$  225°)

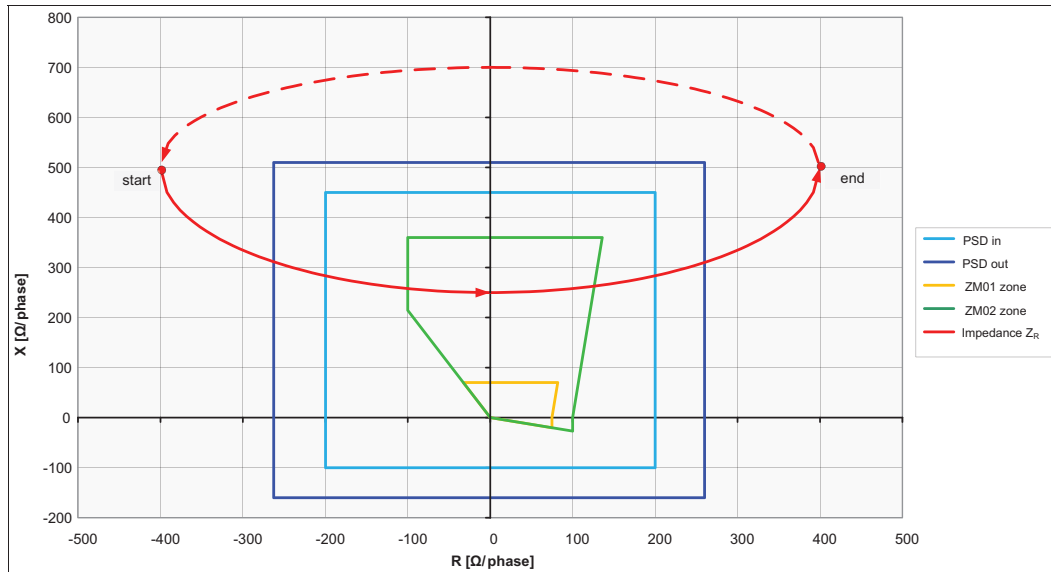


Fig. 7. Impedance vector  $Z_r$  trajectory at asynchronous power swings generated by CMC-256-6 tester versus characteristics of PSD and distance zones ZM01, ZM02

As at the synchronous swings generation, also here the impact of the duration of impedance vector stay outside the PSD zone on  $t_{P2}$  timer activation for subsequent faster swings was examined. All tests were performed at zero value of parameter  $t_H$ . After the test launch the impedance vector started its journey from the start point to the end point, along the elliptical trajectory, at a specific rate of change of the impedance's real part  $dR/dt$

$dt$ . The impedance step-moved from the end point to the start point. From then the impedance vector started again to move to the end point along the elliptical trajectory at a different  $dR/dt$  rate. The subsequent asynchronous rotation could be delayed by leaving the impedance vector in the start point for a specified time. Sample results of the tests for asynchronous swings are presented in tab. 3.

Test	Asynch. rotation	$dR/dt$ [Ω/s]	$\Delta t$ PSD [ms]	$t$ PSD set [ms]	$t$ ZM02 set [ms]	$t$ PSD out [ms]	Remarks
1	I	800	75 > $t_{P1}$	585 (575)	– (280)	506 < $t_W$	PSD enabled During each synchronous rotation PSD is activated, no distance zones are activated
	II	1000	60 > $t_{P2}$	468 (460)	– (224)	438 < $t_W$	
	III	1330	45 > $t_{P2}$	351 (345)	– (168)		
2	I	800	75 > $t_{P1}$	585 (575)	– (280)	506 < $t_W$	PSD enabled Time between the second and third asynchronous rotations exceeds $t_W$ . No PSD response and distance zone tripping
	II	1000	60 > $t_{P2}$	468 (460)	– (224)	738 > $t_W$	
	III	1330	45 < $t_{P1}$	–	171 (168)		
3	I	890	67 < $t_{P1}$	–	258 (252)	490 < $t_W$	PSD enabled At the first swing $\Delta t$ PSD < $t_{P1}$ – no PSD response to any swing
	II	1000	60 < $t_{P1}$	–	231 (224)	438 < $t_W$	
	III	1330	45 < $t_{P1}$	–	174 (168)		
4	I	800	75 > $t_{P1}$	582 (575)	– (280)	790 > $t_W$	PSD enabled Time between the first and second asynchronous rotations exceeds $t_W$ . No PSD response to the second asynchronous rotation ( $\Delta t_{PSD} < t_{P1}$ )
	II	1070	53 < $t_{P1}$	–	198 (196)	790 > $t_W$	
	III	800	75 > $t_{P1}$	581 (575)	– (280)		

Tab. 3. Test results of RED670 relay's PSD response to asynchronous power swings

PSD settings:  $X1InFw = 450 \Omega$ ,  $R1InFw = 200 \Omega$ ,  $\Delta Fw = 60 \Omega$ ,  $X1InRv = 100 \Omega$ ,  $R1InRv = 200 \Omega$ ,  $\Delta Rv = 60 \Omega$ ,  $t_{P1} = 50$  ms,  $t_{P2} = 30$  ms,  $t_W = 600$  ms,  $t_H = 0$  s,  $t_{R2} = 4$  s.



Designations in the table:

$dR/dt$  – rate of change of impedance’s real part R during swing  
other designations as in tab. 2.

Based on the results of the tests carried out for asynchronous swings, performance of the RED670 relay’s PSD feature should be assessed positively. The PSD feature performed consistently with expectations for its characteristic’s defined parameters.

#### 4. Tests of PSD response to power swings caused by disturbances in the power system in the example of Żarnowiec node

One of the possibilities to analyze an automatic protection system’s response to disturbances in a power system is time-domain simulation testing. For this purpose a simulation software is required that allows calculating power flows and to make dynamic calculations. With such tools and a power system’s exact flow and dynamic model, tests can be performed that will verify the impedance relay response to short circuits and power swings.

Therefore, simulation tests were performed for Żarnowiec generation node (fig. 8). For the simulation the national power system’s model was used, which included static and dynamic parameters of all 400, 220 and 110 kV nodes and lines, transformers and generation units in system power plants.

Before the disturbance there were two units operated in Żarnowiec Hydro Plant, each generating 24 Mvar and 179 MW.

The simulation results presented here illustrate the trajectories of the impedance  $Z_r$  seen by the distance protection in RED670 relay during power swings caused by three-phase short-circuits in the nearby power lines and nodes. These trajectories are set against distance zones’ and PSD feature’s characteristics. Each figure shows operating impedance  $Z_r$  prior to the disturbance

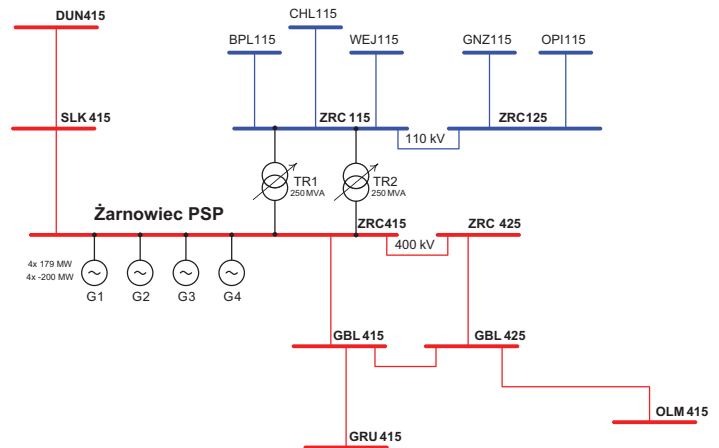


Fig. 8. Żarnowiec node diagram (based on the national power system model used in the simulation programme)

(green – “ $Z_r$  before SC”), and  $Z_r$  trajectories during the short circuit (purple – “ $Z_r$  during SC”) and after short-circuit clearing (brown – “ $Z_r$  after SC”).

Fig. 9 and 10 show impedance trajectories caused by a three-phase short-circuit on SLK415 substation bus bars, lasting 0.6 s. The resulting power swings were GBL synchronous and its trajectory enters zone ZM02 of the distance protection for 580 ms. The activation time exceeds the release time set at 100 ms. In this case, the relay’s distance zones should be blocked by the PSD feature. In the case shown in fig. 9 the PSD feature is activated, because the duration of impedance transit through its zone during the fault is 110 ms and exceeds  $t_{P1} = 50$  ms. Fig. 10 shows a situation where the PSD feature is not activated, because the impedance vector step-passes its impedance zone. The  $X1lnRv$  setting was too high.

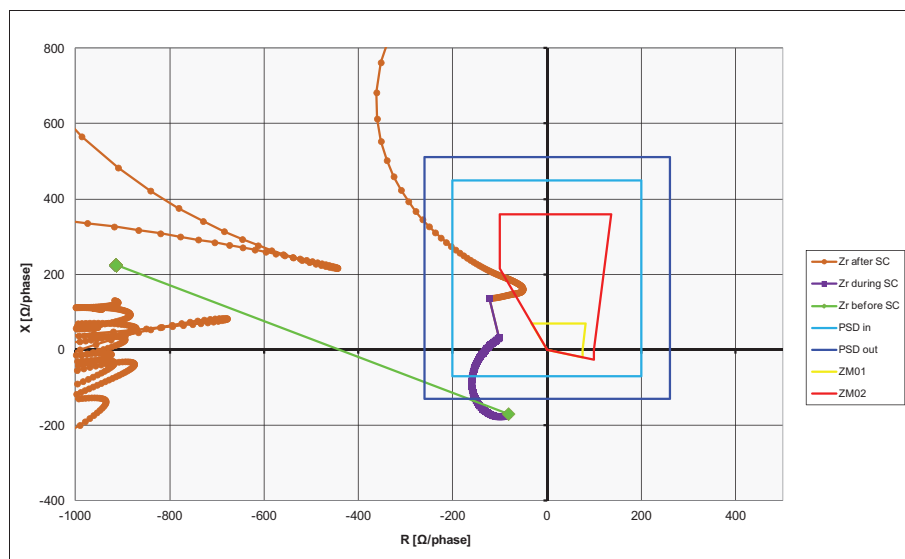


Fig. 9. Trajectory of impedance measured on Żarnowiec Hydro Plant unit generator transformer’s high voltage side during synchronous power swings caused by three-phase short circuit on SLK415 bus bars; fault duration 0.6 s;  $X1lnRv = 70 \Omega$ ,  $\Delta t_{PSD} = 110 \text{ ms} > t_{P1}$ ,  $t_{ZM02\_set} = 580 \text{ ms} > t_{ZM02\_trip} = 100 \text{ ms}$  (PSD activation and distance zones blocking)

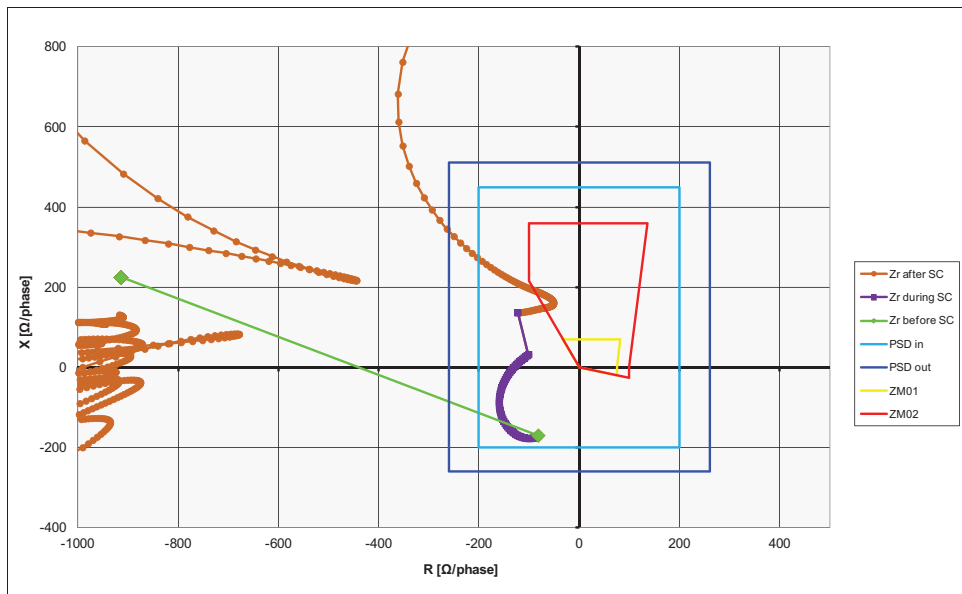


Fig. 10. Trajectory of impedance measured on Żarnowiec Hydro Plant unit generator transformer's high voltage side during synchronous power swings caused by three-phase short circuit on SLK415 bus bars; fault duration 0.6 s;  $X_{1lnRv} = 200 \Omega$ ,  $\Delta t_{PSD} = 0 \text{ ms} > t_{P1}$ ,  $t_{ZM02\_set} = 580 \text{ ms} > t_{ZM02\_trip} = 100 \text{ ms}$  (no PSD activation and ZM02 distance zone tripping)

Fig. 11 shows the impedance trajectory caused by a three-phase short-circuit in the middle of the 400 kV line between ZRC and SLK nodes. The fault was cleared after 0.6 s by switching off the faulty line. In this case asynchronous power swings developed – Żarnowiec Hydro Plant's units assumed asynchronous operating mode. The impedance vector stayed in the PSD zone for 240 ms, i.e. longer than  $t_{P1}$  setting, which activated the PSD and blocked

the distance zones. The distance protection's disabling by PSD activation should be regarded as legitimate, because if there is an asynchronous swing (loss of generators' synchronism) the units should be switched off by a dedicated poles slip protection. This protection sends a pulse to open the unit's on-off switch at the right and most favourable power angle  $\delta$ , after a preset number of asynchronous rotations.

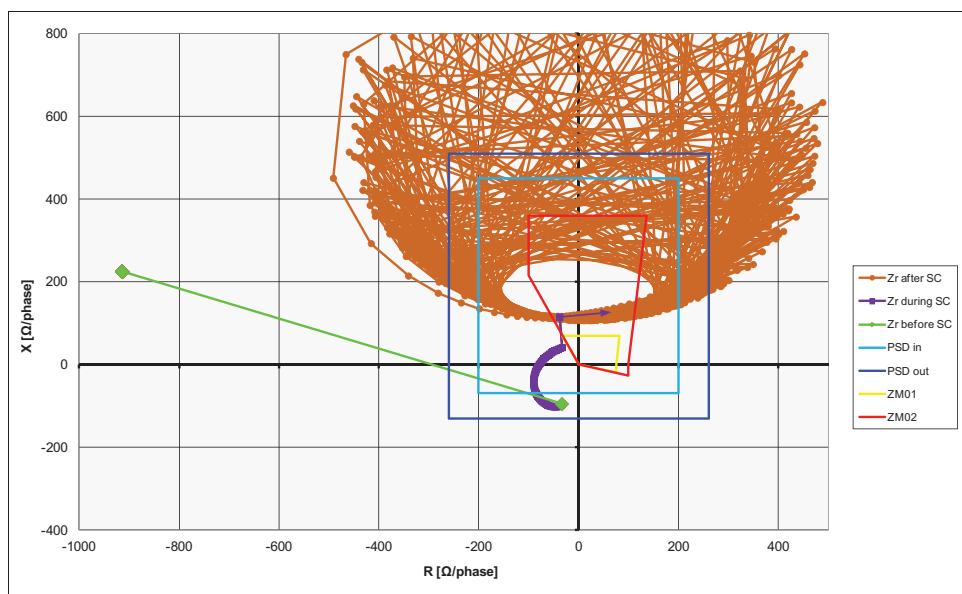


Fig. 11. Trajectory of impedance measured on Żarnowiec Hydro Plant unit generator transformer's high voltage side during asynchronous power swings caused by a three-phase short circuit on ZRC-SLK line (fault at 50% distance from ZRC node); fault duration 0.6 s;  $X_{1lnRv} = 70 \Omega$ ,  $\Delta t_{PSD} = 240 \text{ ms} > t_{P1}$ ,  $t_{ZM02\_set} = 140 \text{ ms} > t_{ZM02\_trip} = 100 \text{ ms}$  (PSD activated and distance zones blocked)

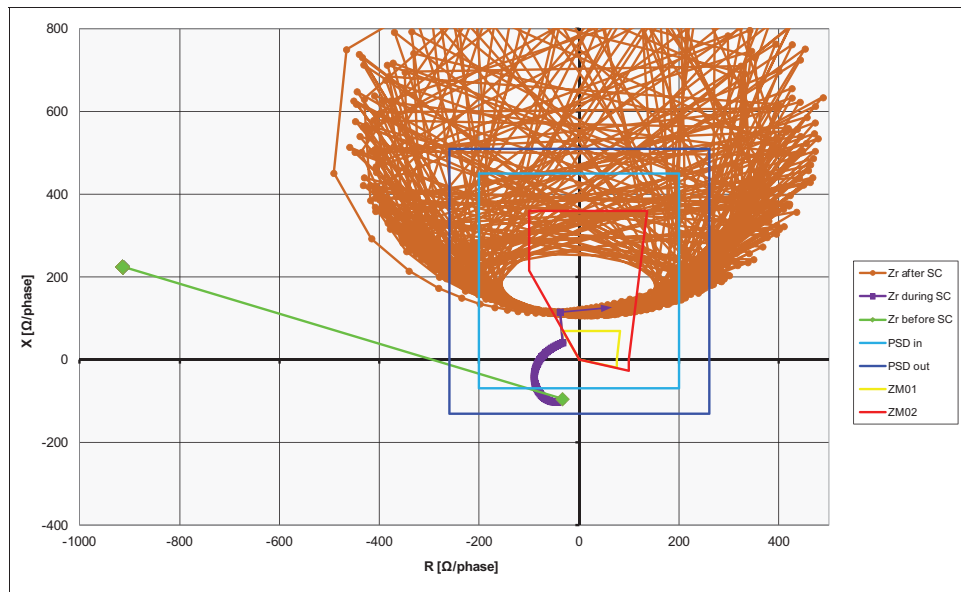


Fig. 12. Trajectory of impedance measured on Żarnowiec Hydro Plant unit generator transformer's high voltage side during asynchronous power swings caused by three-phase fault in a circuit of ZRC-GBL line (fault at 20% distance from ZRC node); fault duration 0.4 s;  $X1InRv = 70 \Omega$ ,  $\Delta t_{PSD} = 0 \text{ ms} > tP1$ ,  $t_{ZM02\_set} = 200 \text{ ms} > t_{ZM02\_trip} = 100 \text{ ms}$  (PSD not activated and ZM02 distance zones tripped)

Another example of asynchronous swings caused by a three-phase short-circuit is shown in fig. 12. In this case a circuit of ZRC – GBL 400 kV line was short-circuited. The fault was cleared after 0.4 s by switching off the faulty line. Here, however, PSD didn't react, because during the fault the impedance step-crossed the PSD characteristic. Since PSD wasn't activated, the distance zone responded and sent a tripping pulse before the pole swing protection. Such a situation should be considered inappropriate. If the  $X1InRv$  parameter was set to a lower value, then during the fault the impedance would reach the PSD zone, and the PSD would block the tripping.

## 5. Summary and conclusions

Appropriate selection of power swing blocking parameters in distance protection relays is important for power system operation safety. The test results presented in the paper show that during power swings the power system protection relays may react differently to the same fault, depending on the relay settings. A protection device's inappropriate response to power swings can cause a system failure with grave consequences. Settings for impedance protection relays should be selected for each power unit and node independently, taking into account different possible grid configurations and control system parameters. Analyses of this type are easiest and cheapest when based on time-domain simulation tests.

The conclusion may also be drawn from the completed tests that distance relays should be able to define power swing blocking

characteristics for forward and reverse distance zones independently. In the currently operated impedance relays, such as those installed in unit feeder bays in HV power plant substations, the relays' measuring zones are nondirectional, facing the power system, as well as the plant. In such a case the power swing blocking characteristic covers all zones. The simulation results presented above show that in the case of a fault in the power system the impedance vector step enters where the system facing zones are defined (reverse zones III, IV and V). During an extended three-phase short-circuit the impedance trajectory passes to the first and second quadrants in the R-X plane in less than 0.5 seconds, and thus may activate the unit facing (forward) distance zones. Since the impedance vector has step-crossed the PSD characteristic, the PSD is not activated, and as a result the unit may be switched off by the forward zones I and II, even if the fault occurred in the system. Such an unnecessary distance relay tripping might be avoided if the PSD could be defined independently for the unit and system facing zones. With this option, the PSD characteristic's parameters should be selected so that it adheres as closely as possible to the distance zone facing the given direction.

It should also be noted that the object tests of ABB RED670 relay showed its distance features appropriate response to the generated power swings. The PSD power swing blocking feature activated as expected at given settings and swing parameters. No deviations were ascertained from the PSD algorithm declared by the manufacturer.

## REFERENCES

1. ABB, Technical reference manual. Line differential protection IED RED 670, Document ID: 1MRK505183-UEN, Issued: December 2007.
2. ABB, Application manual. Line differential protection IED RED 670, Document ID: 1MRK505186-UEN, Issued: January 2008.
3. ABB, Technical reference manual. Line distance protection IED REL 670, Document ID: 1MRK506275-UEN, Issued: December 2007.
4. ABB, Application manual. Line distance protection IED REL 670, Document ID: 1MRK506278-UEN, Issued: December 2007.
5. Bakoń T. et. al. Opracowanie katalogu wymagań dla systemów zabezpieczeń elektrycznych generatorów w zakresie stosowanych funkcji i koordynacji ich nastaw z EAZ w sieci przesyłowej, Etap I, [Catalogue of requirements for generator protection relay systems with regard to their features, and coordination of their settings with transmission grid protection relay systems, Stage I], Institute of Power Engineering, Warsaw 2010.
6. Dobrzyński K., Klucznik J., Lubośny Z., Zabezpieczenia impedancyjne bloków energetycznych przy zwarcjach bliskich [Impedance protections of power units at close faults], proceedings of XIV National Conference "Relay Protections in Power Engineering", Warsaw-Józefów, 19–21 October 2011.
7. Dytry H. et. al. Opracowanie katalogu wymagań dla systemów zabezpieczeń elektrycznych generatorów w zakresie stosowanych funkcji i koordynacji ich nastaw z EAZ w sieci przesyłowej, Etap II, [Catalogue of requirements for generator protection relay systems with regard to their features, and coordination of their settings with transmission grid protection relay systems, Stage II], Institute of Power Engineering and Gdańsk University of Technology, Warsaw 2011.
8. Machowski J., Smolarczyk A., Brzeszczak L., Opracowanie zasad nastaw blokad przeciwkołysaniowych zabezpieczeń pod kątem odbudowy systemu [Setting principles for protection relays' power swing blocking feature with a view to system recovery, Institute of Power Engineering of Warsaw University of Technology, Warsaw 2005.
9. Smolarczyk A., Sposoby nastawiania impedancyjnych blokad przeciwkołysaniowych stosowanych w zabezpieczeniach odległościowych, materiały [Setting of impedance power swing blocking features for distance protection relays], proceedings of XV International Scientific Conference "Present-day Problems of Power Engineering", Gdańsk-Jurata, 8–10 June 2011.

### Maciej Łosiński

Żarnowiec Hydro Power Plant

e-mail: m.losinski@ewz.pl

After graduating from the Faculty of Electrical and Control Engineering at Gdańsk University of Technology he was employed at Żarnowiec Hydro Power Plant (1998). He is currently the manager of the plant's Automation and Relay Protections Department. He obtained his doctor of engineering degree at this faculty (2005). His research interests focus on issues related to power system relay protections, and to modelling and analysis of power system operation, with particular emphasis on the problems of voltage and reactive power flow control.

### Jacek Klucznik

Gdańsk University of Technology

e-mail: j.klucznik@eia.pg.gda.pl

Graduated as Master of Engineering from the Faculty of Electrical and Control Engineering at Gdańsk University of Technology (1999). Five years later he obtained his Ph.D. An assistant professor at the Power Engineering Department of Gdańsk University of Technology. His areas of interest include control systems for generators and turbines, wind power generation, and power system automatic protections.

This is a supporting translation of the original text published in this issue of "Acta Energetica" on pages 75–86. When referring to the article please refer to the original text.

PL

## Analiza działania blokady kołysaniowej zabezpieczenia odległościowego w przekaźnikach serii 670 produkcji firmy ABB

### Autorzy

Maciej Łosiński  
Jacek Klucznik

### Słowa kluczowe

system elektroenergetyczny, zabezpieczenie odległościowe, blokada kołysaniowa

### Streszczenie

Autorzy prezentują w artykule wyniki badań blokady kołysaniowej PSD zabezpieczenia odległościowego w przekaźnikach serii 670, produkcji firmy ABB. Badaniom poddano przekaźnik RED670, który wchodzi w skład zabezpieczeń hydrozespołu w Elektrowni Szczytowo-Pompowej Żarnowiec. Analiza działania blokady kołysaniowej została przeprowadzona na podstawie wyników badań obiektowych, wykonanych za pomocą cyfrowego testera zabezpieczeń firmy Omicron. Zaprezentowane zostały także wyniki badań symulacyjnych, które obrazują działanie blokady PSD w trakcie kołysań mocy wywołanych zakłóceniami w systemie elektroenergetycznym. Pokazano, jak zabezpieczenia odległościowe mogą reagować na to samo zakłócenie w zależności od przyjętych nastawień.

### 1. Wstęp

Zabezpieczenia impedancyjne, zainstalowane w systemie elektroenergetycznym, są narażone na zbędne pobudzenie się i działanie w trakcie kołysań mocy. Najczęstszą przyczyną powstawania kołysań mocy są zakłócenia w postaci zwarć w sieci przesyłowej. W zależności od miejsca i czasu trwania zwarcia kołysania mogą mieć charakter synchroniczny lub asynchroniczny. Jeżeli zwarcie wystąpi w pobliżu węzła wytwórczego, a czas jego likwidacji nie jest zbyt długi, wtedy nie powinno dojść do utraty synchronizmu generatorów. W takim przypadku mogą pojawić się silne kołysania, którym towarzyszą duże zmiany prądów i napięć w liniach przesyłowych i blokowych. Zmiany te oznaczają zmniejszenie się impedancji widzianej przez zabezpieczenia odległościowe. Gdy impedancja widziana przez przekaźnik zmniejszy się do wartości odpowiadającej strefom pomiarowym, wtedy może dojść do zbędnego zadziałania zabezpieczenia i wyłączenia generatorów lub linii. Takie wyłączenie może doprowadzić do utraty synchronizmu pozostałych generatorów lub przeciążeń linii, co w konsekwencji może doprowadzać do głębokiej awarii SEE (*black-out*) [8].

W przypadku zwarć trwających zbyt długo i powstałych blisko elektrowni może także dojść do utraty synchronizmu systemu elektroenergetycznego przez wypadnięcie z synchronizmu generatorów danej elektrowni i przejście ich do pracy asynchronicznej. Zjawisku pracy asynchronicznej towarzyszą także bardzo znaczne zmiany prądów i napięć, co powoduje szybkie zmiany impedancji widzianej przez zabezpieczenia odległościowe. W tej sytuacji może także dojść do zbędnego działania tych zabezpieczeń i wyłączenia linii przesyłowych. Generatory, które znalazły się w stanie pracy asynchronicznej, powinny zostać selektywnie wyłączone przez dedykowane do tego zabezpieczenia od poślizgu biegunów (PSP, ang. *pole slip protection*).

W celu zmniejszenia ryzyka zbędnego działania zabezpieczeń odległościowych

w trakcie kołysań mocy stosuje się w nich tzw. blokady kołysaniowe (PSD, ang. *power swing detection*). Działanie blokady polega na rozróżnianiu zmian impedancji wywołanych kołysaniem mocy od zmiany impedancji wywołanej zwarciami i w przypadku powstania kołysań mocy blokada powinna doprowadzić do zablokowania funkcji impedancyjnych zabezpieczenia.

Istotne jest, aby blokady kołysaniowe zabezpieczeń odległościowych działały w sposób prawidłowy, tzn. właściwie rozpoznawały kołysania synchroniczne i asynchroniczne. Bardzo ważną kwestią jest także właściwy dobór nastawień dla blokad PSD.

W niniejszym artykule został przedstawiony opis zasady działania blokady kołysaniowej dla funkcji zabezpieczeń odległościowych, w przekaźnikach serii 670, produkcji ABB. Przedstawione zostały także wyniki i wnioski z badań obiektowych oraz symulacyjnych, obrazujących zachowanie się blokady PSD w przekaźnikach zainstalowanych w Elektrowni Szczytowo-Pompowej Żarnowiec.

### 2. Zasada działania blokady kołysaniowej PSD w przekaźnikach serii 670 (ABB)

Zabezpieczenia odległościowe w przekaźnikach serii 670, produkcji ABB, są zabezpieczeniami wielostrefowymi (RED670 – 3 strefy, RET670 – 4 strefy, REL670 – 5 stref), z możliwością indywidualnego określania zasięgu rezystancyjnego i reaktancyjnego oraz kierunku działania każdej ze stref. Pomiar impedancji realizowany jest niezależnie dla każdej z możliwych pętli zwarcia: trzy pętle zwarcia dla zwarć faza-faza i trzy pętle dla zwarć faza-ziemia.

Na rys. 1 pokazano zewnętrzną i wewnętrzną impedancyjną wieloboczną charakterystykę funkcji PSD wraz z parametrami, za pomocą których można ją kształtować. W tab. 1 podane zostały nastawienia funkcji PSD wraz z ich zakresami i opisem.

Pomiar impedancji wykorzystywany przez funkcję PSD opiera się na tym samym algorytmie, który jest wykorzystywany przez strefy pomiarowe funkcji zabezpieczenia

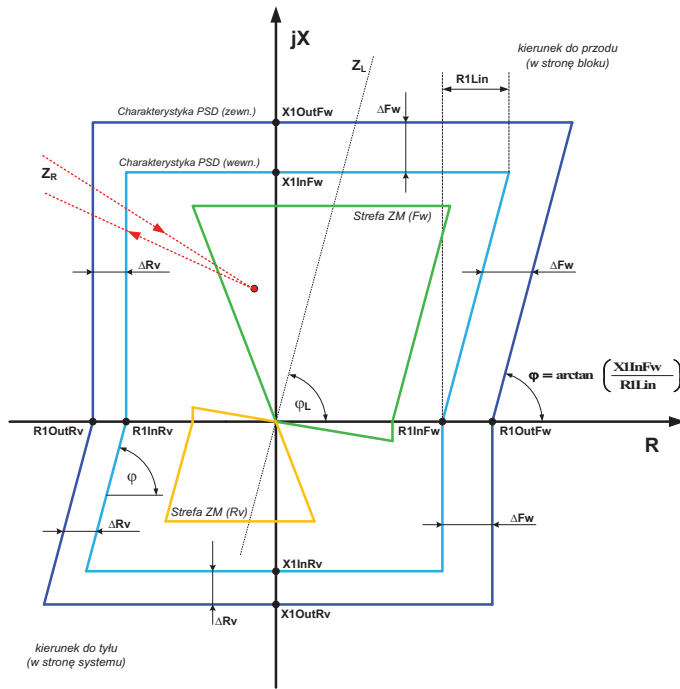
odległościowego i jest wykonywany niezależnie dla każdej z faz L1, L2, L3. Funkcja detekcji kołysań mocy może działać w dwóch trybach: 1 z 3 lub 2 z 3. W trybie 1 z 3 zadziałanie blokady następuje przy wykryciu kołysania w dowolnej z trzech faz. W trybie 2 z 3, aby doszło do pobudzenia blokady, kołysanie musi zostać wykryte w co najmniej dwóch fazach. Wybór trybu detekcji kołysań może być na trwałe określony w logice przekaźnika lub może być dokonywany na podstawie zewnętrznego sygnału podawanego na odpowiednie wejście binarne.

Działanie funkcji blokady kołysaniowej polega na pomiarze czasu przejścia impedancji przez obszar pomiędzy zewnętrzną i wewnętrzną charakterystyką impedancyjną funkcji PSD.

Jeżeli zmierzony czas przejścia impedancji pomiędzy strefami funkcji PSD jest dłuższy od nastawionego w członie czasowym tP1, wtedy następuje zablokowanie wybranych stref odległościowych. Kołysania mocy są rozpoznawane jako kolejne, jeżeli mierzona impedancja opuści zewnętrzną charakterystykę PSD na czas krótszy od nastawionego w członie czasowym tW. W takim przypadku do określenia, czy są to kolejne, szybsze kołysania, wykorzystuje się człon czasowy tP2. Jeżeli impedancja pomiędzy strefami PSD przejdzie w czasie dłuższym od tP2, wtedy kołysania są traktowane jako kolejne w ramach tego samego zdarzenia. Dzięki możliwości nastawienia osobnych czasów detekcji dla pierwszego i kolejnych kołysań można wykryć kolejne kołysania o znacznie większej szybkości zmian impedancji (dZ/dt) niż przy pierwszym kołysaniu. Nastawienie zbyt krótkiego czasu tP1 dla pierwszego przejścia impedancji przez charakterystykę PSD mogłoby spowodować, że funkcja blokady nie rozróżni kołysania od zwarcia.

Funkcja blokady kołysaniowej pozostaje pobudzona do momentu opuszczenia przez impedancję zewnętrzną charakterystyki PSD. Pobudzenie może zostać wydlużone o wartość nastawy tH, odliczanej po





Rys. 1. Możliwości formowania charakterystyki blokady kołysaniowej PSD w przełącznikach serii REx670  
 $(\Delta Fw = RLdOutFw * (1 - kLdRFw), \Delta Rv = RLdOutRv * (1 - kLdRRv), X1OutFw = X1InFw + \Delta Fw, R1OutFw = R1InFw + \Delta Fw, X1OutRv = X1InRv + \Delta Rv, R1OutRv = R1InRv + \Delta Rv)$

opuszczeniu przez impedancję zewnętrzną strefy PSD. Jeżeli kołysanie mocy zostanie wykryte i impedancja mierzona będzie pozostawać w obszarze charakterystyki działania blokady przez czas dłuższy od nastawy tR2 (tzw. czas deblokady), wtedy funkcja PSD zostaje zablokowana.

Istnieje także możliwość zablokowania funkcji blokady kołysaniowej, jeżeli w trakcie kołysań pojawi się zwarcie doziemne (składowa zerowa prądu). W takim przypadku po czasie opóźnienia tR1, odliczonym od chwili wykrycia zwarcia, następuje odblokowanie stref odległościowych (zablokowanie funkcji PSD).

Funkcja blokady kołysaniowej PSD w zabezpieczeniach serii 670 może zostać uzupełniona o tzw. dodatkową logikę kołysania mocy (PSL, ang. *power swing logic*). Dzięki tej dodatkowej funkcji możliwe jest szybkie i selektywne likwidowanie różnych zwarcie w zabezpieczanej linii podczas trwania kołysań mocy w systemie elektroenergetycznym.

### 3. Badanie blokady kołysaniowej w przełączniku RED670

Badaniom został poddany przełącznik RED670 produkcji ABB, który wchodzi w skład zabezpieczeń hydrozespołu w Elektrowni Szczytowo-Pompowej Żarnowiec. Schemat wyprowadzenia mocy hydrozespołu pokazano na rys. 2. Podstawową funkcją tego przełącznika jest

Parametr	Zakres	Nastawienie domyślne	Jednostka	Opis
Operation	On Off	Off	–	Funkcja PSD: ON – załączona, OFF – wyłączona
X1InFw	0,10–3000,00	30,00	$\Omega$	Składowa zgodna reaktancji określająca zasięg reaktancyjny charakterystyki wewnętrznej „do przodu”
R1InFw	0,10–1000,00	30,00	$\Omega$	Składowa zgodna rezystancji określająca zasięg rezystancyjny charakterystyki wewnętrznej „do przodu”
R1Lin	0,10–1000,00	30,00	$\Omega$	Rezystancja linii dla określenia kąta wewnętrznej charakterystyki rezystancyjnej „do przodu”, $\varphi = \arctan\left(\frac{X1InFw}{R1Lin}\right)$
X1InRv	0,10–3000,00	30,00	$\Omega$	Składowa zgodna reaktancji określająca zasięg reaktancyjny charakterystyki wewnętrznej „do tyłu”
R1InRv	0,10–1000,00	30,00	$\Omega$	Składowa zgodna rezystancji określająca zasięg rezystancyjny charakterystyki wewnętrznej „do tyłu”
Operation LdCh	On Off	On	–	Działanie odciążenia od obciążenia
RLdOutFw	0,10–3000,00	30,00	$\Omega$	Rezystancja określająca zewnętrzną rezystancyjną granicę dla obciążenia „do przodu”
ArgLd	5–70	25	$^\circ$	Kąt określający obszar impedancji obciążenia
RLdOutRv	0,10–3000,00	30,00	$\Omega$	Rezystancja określająca zewnętrzną rezystancyjną granicę dla obciążenia „do tyłu”
kLdRFw	0,50–0,90	0,75	–	Mnożnik dla określenia wewnętrznej rezystancyjnej granicy dla obciążenia „do przodu”
kLdRRv	0,50–0,90	0,75	–	Mnożnik dla określenia wewnętrznej rezystancyjnej granicy dla obciążenia „do tyłu”
IMinOpPE	5–30	10	%I <sub>B</sub>	Minimalny prąd działania funkcji PSD
I <sub>Base</sub>	1–99999	3000	A	Prąd bazowy dla nastaw prądowych
tP1	0,000–60,000	0,045	s	Nastawa dla członu czasowego detekcji pierwszego (wolnego) kołysania mocy
tP2	0,000–60,000	0,015	s	Nastawa dla członu czasowego detekcji następnych (szybszych) kołysań mocy
tW	0,000–60,000	0,250	s	Czas oczekiwania do aktywacji członu czasowego tP2 (zamiast tP1) odpowiedzialnego za identyfikację kolejnych szybszych kołysań mocy. Czas tW jest liczony od momentu opuszczenia przez impedancję charakterystyki zewnętrznej PSD podczas kołysania do ponownego jej wejścia do strefy PSD
tH	0,000–60,000	0,500	s	Czas podtrzymania sygnału wyjściowego funkcji PSD po opuszczeniu przez impedancję strefy PSD_out
tEF	0,000–60,000	3,000	s	Zwłoka czasowa na przeczekanie czasu przerwy bezprądowej w cyklu SPZ jednofazowego
tR1	0,000–60,000	0,300	s	Człon czasowy do opóźnienia blokowania (sygnału blokującego INHIBIT) funkcji PSD po wykryciu zwarcia doziemnego (składowej zerowej prądu) w trakcie trwania kołysań
tR2	0,000–60,000	2,000	s	Człon czasowy do zerowania sygnału wyjściowego funkcji PSD przy bardzo wolnych kołysaniach mocy (czas deblokady). Funkcja PSD jest blokowana (dezaktywacja blokady kołysaniowej) gdy mierzona impedancja będzie przebywać ciągle w obszarze PSD_in przez nastawiony czas tR2

Tab. 1. Nastawienia funkcji PSD w przełącznikach serii 670 (ABB)



realizacja zabezpieczenia różnicowoprądowego linii blokowej (87L). Zabezpieczenie składa się z dwóch półkompletów (przełączników): jeden umieszczony jest na terenie stacji 400 kV Żarnowiec, drugi zabudowany został w szafach zabezpieczeń bloku na terenie ESP Żarnowiec. Komunikacja między dwoma półkompletami zabezpieczenia odbywa się drogą cyfrową za pośrednictwem łącza światłowodowego. Przełącznik RED670 na terenie elektrowni został wyposażony dodatkowo w funkcję zabezpieczenia odległościowego. Zabezpieczenie mierzy impedancję widzianą od strony górnego napięcia transformatora blokowego. Uruchomione zostały w nim dwie strefy odległościowe ZM01 i ZM02, obejmujące swym działaniem transformator blokowy i generator. Strefa pierwsza obejmuje swym zasięgiem 70% uzwojeń transformatora blokowego, zaś strefa druga w całości chroni transformator blokowy oraz generator. Zabezpieczenie odległościowe stanowi rezerwę dla zabezpieczeń podstawowych od zwarc wewnątrz bloku w przełącznikach REG216.

Do przeprowadzenia badań blokady kołysaniowej w przełączniku RED670 wykorzystany został cyfrowy tester zabezpieczeń CMC 256-6, firmy Omicron. Ponadto do wygenerowania prądów i napięć z testera zabezpieczeń, odzwierciedlających kołysania mocy, użyto programu State Sequencer, który wchodzi w skład pakietu Test Universe, dostarczonego przez firmę Omicron. Wygenerowane kołysania mocy za pomocą testera miały charakter 3-fazowy symetryczny.

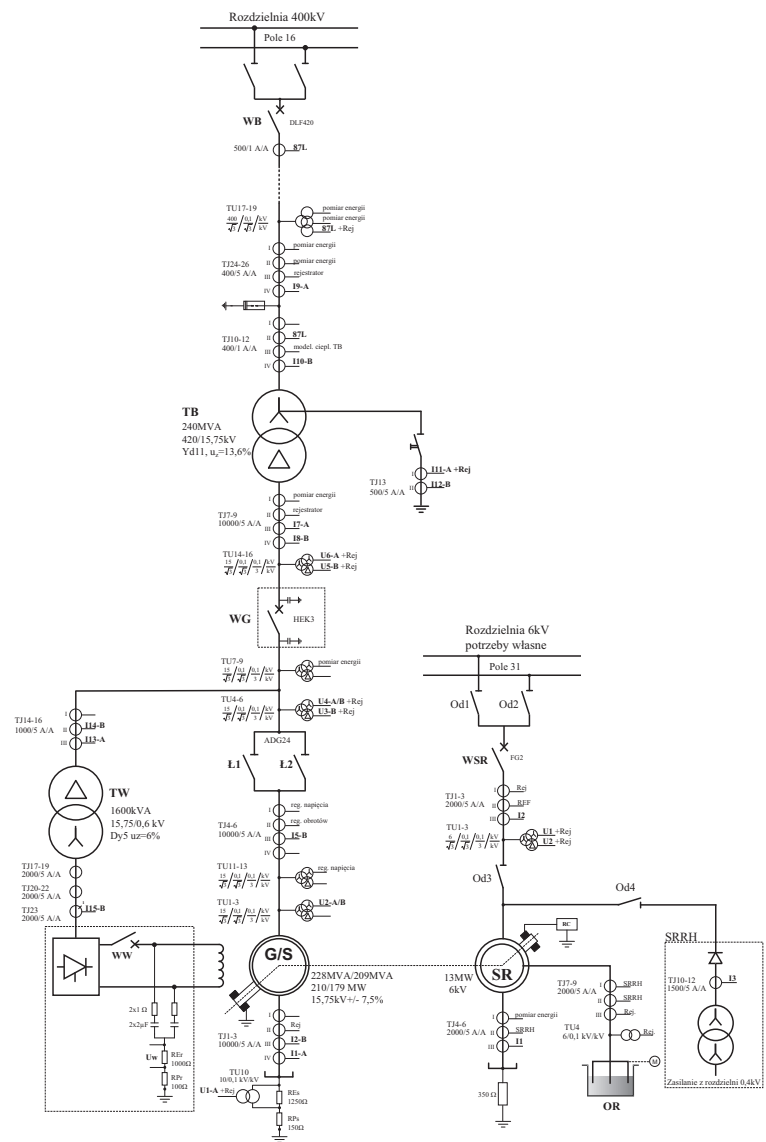
W dalszej części artykułu przedstawione zostały wyniki badań obrazujące zachowanie się blokady kołysaniowej oraz stref odległościowych w trakcie zmian impedancji widzianej przez przełącznik, przebiegającej po trajektoriach występujących w trakcie synchronicznych i asynchronicznych kołysań mocy.

Przykładowe przebiegi sygnałów generowanych przez tester w trakcie kołysań mocy i zachowanie się badanego przełącznika pokazano na rys. 3.

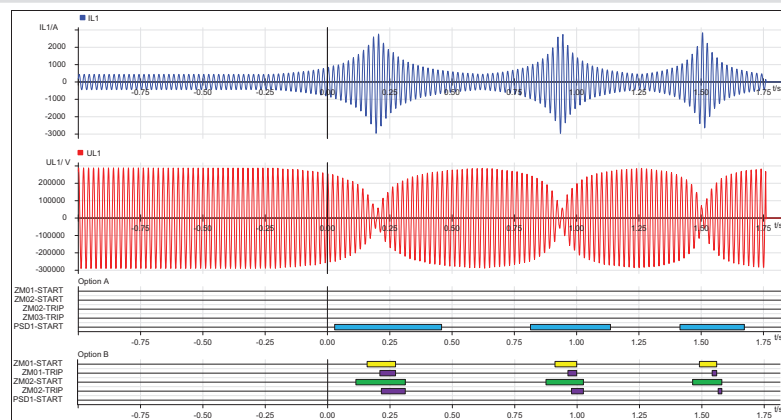
Wartości napięć, prądów i impedancji na przedstawionych przebiegach i charakterystykach odnoszą się do strony górnego napięcia transformatora blokowego (400 kV).

### 3.1. Kołysania synchroniczne

Na rys. 4 i 5 przedstawiono przebieg trajektorii impedancji mierzonej przez przełącznik RED670 w trakcie generowania kołysań synchronicznych, za pomocą mikroprocesorowego testera CMC 256-6 Omicron. Na rysunkach zilustrowano zdefiniowane w przełączniku pomiarowe strefy impedancyjne zabezpieczenia odległościowego i blokady kołysaniowej. W każdym teście generowane były trzy kołysania synchroniczne o określonym kącie nacylenia  $\varphi$  trajektorii impedancji do osi rzeczywistej R i określonej szybkości zamian impedancji  $dZ/dt$ . Ponadto w trakcie kolejnych kołysań zmieniano czas przebywania impedancji mierzonej poza strefą zewnętrzną funkcji PSD w celu pokazania wpływu parametru  $tW$  (czas oczekiwania na aktywacji członu czasowego  $tP2$ ) na działanie blokady kołysaniowej. Wszystkie badania wykonano przy zerowej wartości parametru  $tH$  funkcji PSD ( $tH$  – czas podtrzymania sygnału wyjściowego funkcji PSD po opuszczeniu



Rys. 2. Schemat wyprowadzenia mocy hydrozespołu w ESP Żarnowiec



Rys. 3. Przykładowy przebieg prądu i napięcia zarejestrowany przez przełącznik RED670 w trakcie synchronicznego 3-fazowego kołysania mocy wygenerowanego przez testera Omicron CMC256-6. Trzykrotne wejście trajektorii impedancji w odległościową strefę pomiarową ZM01 i ZM02 ( $tZM01 = 50$  ms,  $tZM02 = 100$  ms). Szybkość zmian impedancji:  $dZ1/dt = 1500 \Omega/s$ ,  $dZ2/dt = 2000 \Omega/s$ ,  $dZ3/dt = 2500 \Omega/s$ . Wariant A: załączona funkcja PSD – blokowanie stref odległościowych, Wariant B: wyłączona funkcja PSD – widoczne pobudzenie i zadziałanie stref odległościowych

przez impedancję strefy zewnętrznej). Dla kątów  $\varphi$  z przedziału od  $0^\circ$  do  $90^\circ$  przebieg trajektorii impedancji odbywał się zgodnie z rys. 4. W trakcie każdego kołysania następowało zmniejszanie impedancji od punktu start do wartości minimalnej w pobliżu punktu (0,0) płaszczyzny R-X, z określoną prędkością  $dZ/dt$ . Po osiągnięciu wartości minimalnej następowała sytuacja odwrotna – wzrost impedancji z tą samą prędkością do osiągnięcia punktu koniec.

Rozpoczynanie kolejnego kołysania mogło być opóźnione przez pozostawienie wektora impedancji w punkcie koniec na zadany czas. Przy badaniach dla kątów  $\varphi$  większych od  $90^\circ$  przebieg trajektorii impedancji pokazano na rys. 5. W tym przypadku zmiany impedancji w trakcie konkretnego kołysania wyglądały następująco: pomiędzy punktem start i 1 następowała zmiana impedancji z określoną szybkością  $dZ/dt$ , od punktu 1 do 2 impedancja zmieniała

wartość skokowo, w punkcie 2 impedancja przebywała przez określony czas (200 ms), następnie skokowo przejście do punktu 3 i wzrost wartości impedancji z prędkością  $dZ/dt$  do punktu koniec.

Przykładowe wyniki przeprowadzonych badań, obrazujące działanie blokady PSD w przełączniku RED670 w trakcie kołysań synchronicznych, przedstawiono w tab. 2.

Test	$\varphi$ [°]	kołysanie	$dZ/dt$ [ $\Omega/s$ ]	$\Delta t$ PSD [ms]	t PSD set [ms]	t ZM01set [ms]	t ZM02set [ms]	t PSD out [ms]	Uwagi
1	45	I	1500	56 > tP1	-	114 (118)	198 (202)	320 < tW	Wyłączona funkcja PSD W trakcie każdego kołysania następuje pobudzenie i zadziałanie stref odległościowych
		II	2000	42 > tP2	-	87 (88)	150 (152)	240 < tW	
		III	2500	34 > tP2	-	69 (71)	117 (121)	240 < tW	
2	45	I	1500	56 > tP1	429 (427)	- (118)	- (202)	320 < tW	Załączona funkcja PSD W trakcie każdego kołysania następuje pobudzenie blokady PSD, brak pobudzeń stref odległościowych
		II	2000	42 > tP2	321 (320)	- (88)	- (152)	240 < tW	
		III	2500	34 > tP2	258 (256)	- (71)	- (121)	240 < tW	
3	45	I	1500	56 > tP1	430 (427)	- (118)	- (202)	320 < tW	Załączona funkcja PSD. Pomiędzy II i III kołysaniem wydłużono czas przebywania impedancji poza charakterystyką PSD. Przy trzecim kołysaniu nie pobudza się blokada PSD (tPSDout > tW – aktywny timer tP1)
		II	2000	42 > tP2	322 (320)	- (88)	- (152)	640 > tW	
		III	2500	34 < tP1	-	69 (71)	120 (121)	640 > tW	
4	90	I	1000	60 > tP1	954 (949)	- (119)	- (709)	220 < tW	Załączona funkcja PSD W trakcie każdego kołysania następuje pobudzenie blokady PSD
		II	1400	42 > tP2	681 (678)	- (85)	- (507)	170 < tW	
		III	1600	37 > tP2	597 (593)	- (74)	- (443)	170 < tW	
5	90	I	1000	60 > tP1	954 (949)	- (119)	- (709)	220 < tW	Załączona funkcja PSD W trakcie trzeciego kołysania $\Delta t$ PSD < tP2 – brak działania blokady PSD w trakcie trzeciego kołysania
		II	1400	42 > tP2	681 (678)	- (85)	- (507)	150 < tW	
		III	2100	28 < tP2	-	60 (57)	345 (228)	150 < tW	
6	135	I	1500	56 > tP1	530 (532)	- (200)	- (200)	400 < tW	Załączona funkcja PSD Pomiędzy II i III kołysaniem wydłużono czas przebywania impedancji poza charakterystyką PSD. Przy trzecim kołysaniu nie pobudza się blokada PSD (tPSDout > tW – aktywny timer tP1)
		II	2000	42 > tP2	446 (449)	- (200)	- (200)	710 > tW	
		III	2500	34 < tP1	-	-	187 (200)	710 > tW	
7	135	I	1500	56 > tP1	530 (532)	- (200)	- (200)	400 < tW	Załączona funkcja PSD W trakcie trzeciego kołysania $\Delta t$ PSD < tP2 – brak działania blokady PSD w trakcie trzeciego kołysania
		II	2000	42 > tP2	446 (449)	- (200)	- (200)	280 < tW	
		III	3000	28 < tP2	-	-	188 (200)	280 < tW	
8	225	I	1500	56 > tP1	435 (438)	- (200)	- (200)	480 < tW	Załączona funkcja PSD W trakcie każdego kołysania następuje pobudzenie blokady PSD
		II	2000	42 > tP2	381 (379)	- (200)	- (200)	370 < tW	
		III	2500	34 > tP2	339 (343)	- (200)	- (200)	370 < tW	
9	225	I	1500	56 > tP1	436 (438)	- (200)	- (200)	480 < tW	Załączona funkcja PSD W trakcie trzeciego kołysania $\Delta t$ PSD < tP2 – brak działania blokady PSD w trakcie trzeciego kołysania
		II	2000	42 > tP2	380 (379)	- (200)	- (200)	340 < tW	
		III	3000	28 < tP2	-	-	176 (200)	340 < tW	

Tab. 2. Wyniki badań blokady PSD w zabezpieczeniu RED670 w trakcie kołysań synchronicznych.

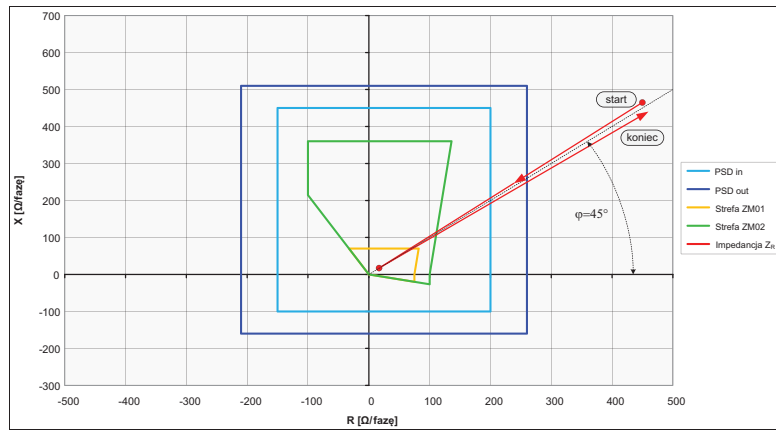
Nastawienia funkcji PSD: X1InFw = 450  $\Omega$ , R1InFw = 200  $\Omega$ ,  $\Delta Fw$  = 60  $\Omega$ , X1InRv = 100  $\Omega$ , R1InRv = 150  $\Omega$ ,  $\Delta Rv$  = 60  $\Omega$ , tP1 = 50 ms, tP2 = 30 ms, tW = 600 ms, tH = 0s, tR2 = 4 s.

Oznaczenia w tabeli:

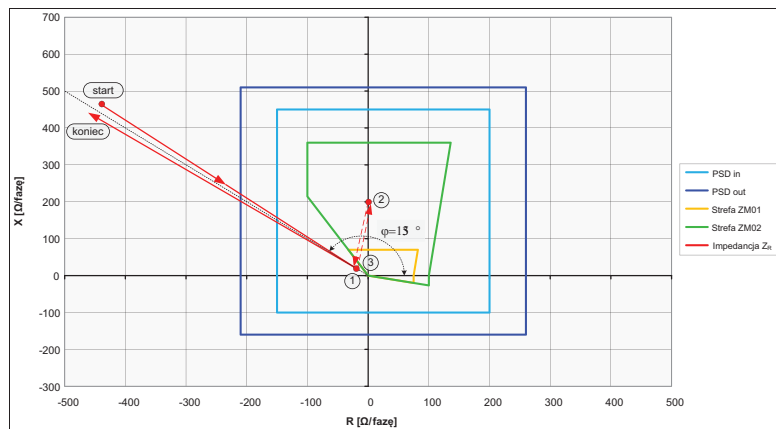
- $\varphi$  – kąt nachylenia trajektorii impedancji do osi wartości rzeczywistych R
- dZ/dt – szybkość zmiany impedancji w trakcie kołysania
- $\Delta t$  PSD – czas przejścia impedancji przez charakterystykę PSD (wyznaczony na podstawie dZ/dt i kąta  $\varphi$ )
- t PSD set – czas pobudzenia blokady PSD odczytany z rejestratora przełącznika RED670 (w nawiasie podano czas pobudzenia blokady PSD, obliczony na podstawie dZ/dt i kąta  $\varphi$ )
- t ZM01 set – czas pobudzenia strefy ZM01 odczytany z wewnętrznego rejestratora przełącznika RED670 (w nawiasie podano czas przebywania wektora impedancji w strefie ZM01 obliczony na podstawie dZ/dt i kąta  $\varphi$ )
- t ZM02 set – czas pobudzenia strefy ZM02 odczytany z wewnętrznego rejestratora przełącznika RED670 (w nawiasie podano czas przebywania wektora impedancji w strefie ZM02, obliczony na podstawie dZ/dt i kąta  $\varphi$ )
- t PSD out – czas przebywania impedancji poza charakterystyką PSD (czas pomiędzy kolejnymi kołysaniami wyznaczony na podstawie dZ/dt i kąta  $\varphi$ ).

Na podstawie wyników z przeprowadzonych badań przełącznika RED670 w trakcie kołysań synchronicznych można stwierdzić, że funkcja blokady kołysaniowej PSD zachowuje się zgodnie z opisem zawartym w dokumentacji producenta. Przy przejściu trajektorii impedancji przez charakterystykę PSD w czasie dłuższym od nastawionego (tP1, tP2) następowało pobudzenie blokady kołysaniowej i blokowanie stref odległościowych. W trakcie pobudzenia blokady PSD i przebywania wektora impedancji w strefach odległościowych przez czas dłuższy od nastawień dla tych stref nie następowało zadziaływanie przełącznika i wygenerowanie impulsu wyłączającego. Prawidłowo następowało także uaktywnianie timera tP2 w przypadku kolejnych kołysań, jeżeli powrót impedancji do strefy PSD następował w czasie krótszym od nastawionego tW. Jeżeli czas ten został przekroczony, wtedy ponownie aktywował się timer tP1 i przy szybszych kołysaniach nie następowało zadziaływanie blokady kołysaniowej. Należy podkreślić, że czasy pobudzeń blokady kołysaniowej i czasy przebywania impedancji w strefach odległościowych, odczytywane z wewnętrznego rejestratora przełącznika RED670, były zbieżne z czasami obliczonymi na podstawie parametrów charakterystyk impedancyjnych i parametrów trajektorii impedancji generowanej przez tester zabezpieczeń.

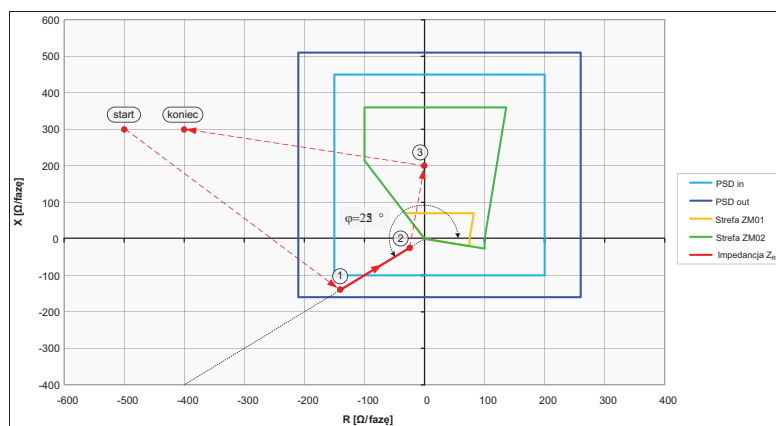
Sprawdzono także działanie blokady kołysaniowej przy skokowym wejściu wektora



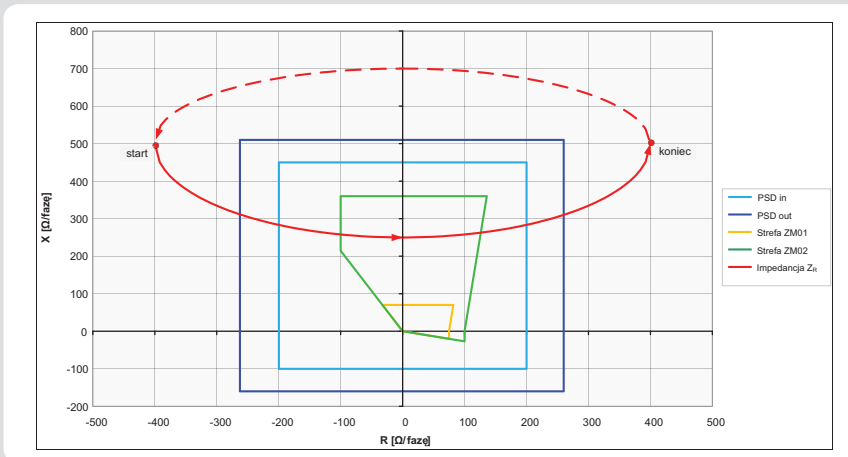
Rys. 4. Przebieg trajektorii wektora impedancji  $Z_r$  przy synchronicznych kołysaniach mocy generowanych za pomocą testera CMC-256-6 na tle charakterystyki PSD i stref odległościowych ZM01, ZM02 (kąt nachylenia trajektorii:  $\varphi 45^\circ$ )



Rys. 5. Przebieg trajektorii wektora impedancji  $Z_r$  przy synchronicznych kołysaniach mocy generowanych za pomocą testera CMC-256-6 na tle charakterystyki PSD i stref odległościowych ZM01, ZM02 (kąt nachylenia trajektorii:  $\varphi 135^\circ$ )



Rys. 6. Przebieg trajektorii wektora impedancji  $Z_r$  przy synchronicznych kołysaniach mocy generowanych za pomocą testera CMC-256-6 na tle charakterystyki PSD i stref odległościowych ZM01, ZM02 (skokowe wejście  $Z_r$  w strefę PSD, kąt nachylenia trajektorii:  $\varphi 225^\circ$ )



Rys. 7. Przebieg trajektorii wektora impedancji  $Z_r$  przy asynchronicznych kołysaniach mocy generowanych za pomocą testera CMC-256-6 na tle charakterystyki PSD i stref odległościowych ZM01, ZM02

impedancji w strefę blokady PSD. Przebieg trajektorii impedancji na tle charakterystyk impedancyjnych przekąźnika w trakcie tych badań przedstawiono na rys. 6. Po uruchomieniu testu przez określony czas impedancja pozostawała w punkcie start. Następnie wartość impedancji ulegała skokowej zmianie do pkt 1, leżącego pomiędzy zewnętrzną i wewnętrzną charakterystyką funkcji PSD. Po skokowej zmianie wartości wektor impedancji zaczynał przemieszczać się po trajektorii pomiędzy pkt 1 i 2 z zadaną szybkością  $dZ/dt$ . Po osiągnięciu pkt 2 następowała skokowa zmiana wartości impedancji do pkt 3, leżącego w strefie odległościowej ZM02. W pkt 3 wektor impedancji przebywał przez czas dłuższy od nastawienia dla strefy ZM02 i po tym czasie następowało kolejne skokowe przejście do punktu koniec.

Badanie to wykazało, że blokada kołysaniowa zachowuje się poprawnie przy

skokowym wejściu impedancji w strefę PSD. Jeżeli czas przebywania wektora impedancji w strefie charakterystyki PSD był dłuższy od nastawionej wartości  $tP1$ , wtedy następowało uruchomienie blokady kołysaniowej i zablokowanie stref impedancyjnych przekąźnika.

### 3.2. Kołysania asynchroniczne

Przebieg trajektorii impedancji w trakcie badań zachowania się przekąźnika RED670 przy kołysaniach asynchronicznych przedstawiono na rys. 7. Na rysunku widać także zdefiniowane strefy odległościowe oraz charakterystykę impedancyjną blokady PSD. W każdym teście generowane były trzy obroty asynchroniczne, które miały określoną szybkość zmian części rzeczywistej impedancji  $dR/dt$ . Trajektoriami pomiędzy punktami start i koniec, po której porusza się wektor impedancji widzianej przez przekąźnik, ma kształt eliptyczny.

Podobnie jak przy generowaniu kołysań synchronicznych, został przebadany także wpływ czasu przebywania wektora impedancji poza strefą PSD na uruchamianie timera  $tP2$  dla kolejnych szybszych kołysań. Wszystkie testy wykonano przy zerowej wartości parametru  $tH$ .

Po uruchomieniu testu wektor impedancji rozpoczynał wędrówkę z punktu start do punktu koniec, po trajektorii eliptycznej z określoną szybkością zmian części rzeczywistej impedancji  $dR/dt$ . Z punktu koniec do punktu start zmiana impedancji następowała skokowo. Od tego momentu ponownie wektor impedancji rozpoczynał drogę do punktu koniec po trajektorii eliptycznej z inną wartością  $dR/dt$ . Rozpoczynanie kolejnego obrotu asynchronicznego mogło być opóźnione przez pozostawienie wektora impedancji w punkcie start na określony czas. Przykładowe wyniki przeprowadzonych testów dla kołysań asynchronicznych zostały przedstawione w tab. 3.

Oznaczenia w tabeli:

$dR/dt$  – szybkość zmian części rzeczywistej  $R$  impedancji w trakcie kołysania  
pozostałe oznaczenia jak w tab. 2.

Na podstawie wyników z przeprowadzonych testów dla kołysań asynchronicznych zachowanie się blokady kołysaniowej PSD w przekąźniku RED670 należy ocenić pozytywnie. Działanie blokady odbywało się zgodnie z oczekiwaniami dla zdefiniowanych parametrów charakterystyki PSD.

### 4. Badanie działania blokady PSD w trakcie kołysań mocy wywołanych zakłóceniami w SEE na przykładzie węzła Żarnowiec

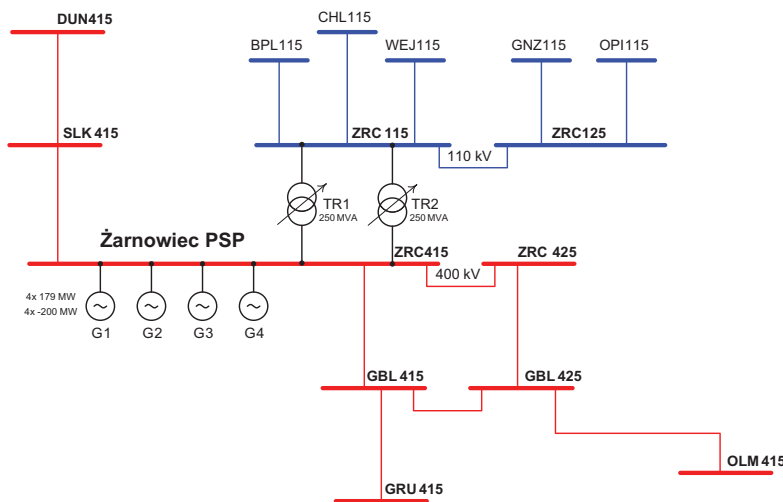
Jedną z możliwości przeanalizowania zachowania się układów EAZ w trakcie zakłóceń w systemie elektroenergetycznym jest wykonanie badań symulacyjnych. Do tego celu trzeba wykorzystać program symulacyjny,

Test	Obrót asynchr.	$dR/dt$ [Ω/s]	$\Delta t$ PSD [ms]	$t$ PSD set [ms]	$t$ ZM02 set [ms]	$t$ PSD out [ms]	Uwagi
1	I	800	75 > $tP1$	585 (575)	– (280)	506 < $tW$	Załączona funkcja PSD
	II	1000	60 > $tP2$	468 (460)	– (224)	438 < $tW$	W trakcie każdego obrotu synchronicznego następuje pobudzenie blokady PSD, brak pobudzeń stref odległościowych
	III	1330	45 > $tP2$	351 (345)	– (168)		
2	I	800	75 > $tP1$	585 (575)	– (280)	506 < $tW$	Załączona funkcja PSD
	II	1000	60 > $tP2$	468 (460)	– (224)	738 > $tW$	Czas pomiędzy II i III obrotem asynchronicznym jest większy od czasu $tW$ . Brak działania blokady PSD i zadziałanie strefy odległościowej
	III	1330	45 < $tP1$	–	171 (168)		
3	I	890	67 < $tP1$	–	258 (252)	490 < $tW$	Załączona funkcja PSD
	II	1000	60 < $tP1$	–	231 (224)	438 < $tW$	Przy pierwszym kołysaniu $\Delta t$ PSD < $tP1$ – brak działania blokady PSD w trakcie wszystkich kołysań
	III	1330	45 < $tP1$	–	174 (168)		
4	I	800	75 > $tP1$	582 (575)	– (280)	790 > $tW$	Załączona funkcja PSD
	II	1070	53 < $tP1$	–	198 (196)	790 > $tW$	Czas pomiędzy I i II obrotem asynchronicznym jest większy od czasu $tW$ . Brak działania blokady PSD w trakcie II obr. asynchr. ( $\Delta t$ PSD < $tP1$ )
	III	800	75 > $tP1$	581 (575)	– (280)		

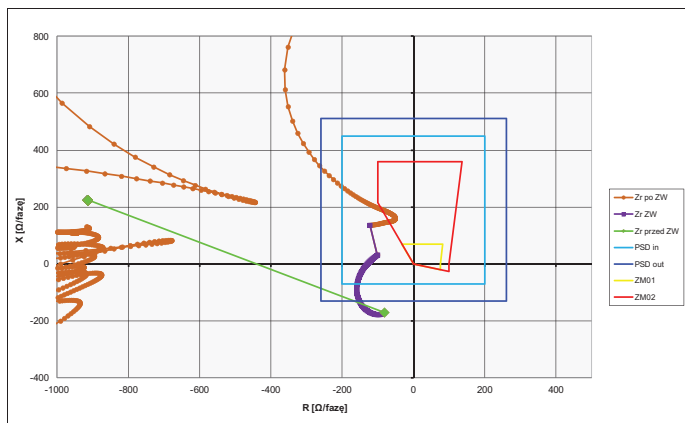
Tab. 3. Wyniki badań blokady PSD w zabezpieczeniu RED670 w trakcie kołysań asynchronicznych.

Nastawienia funkcji PSD:  $X1InFw = 450 \Omega$ ,  $R1InFw = 200 \Omega$ ,  $\Delta Fw = 60 \Omega$ ,  $X1InRv = 100 \Omega$ ,  $R1InRv = 200 \Omega$ ,  $\Delta Rv = 60 \Omega$ ,  $tP1 = 50$  ms,  $tP2 = 30$  ms,  $tW = 600$  ms,  $tH = 0$  s,  $tR2 = 4$  s.

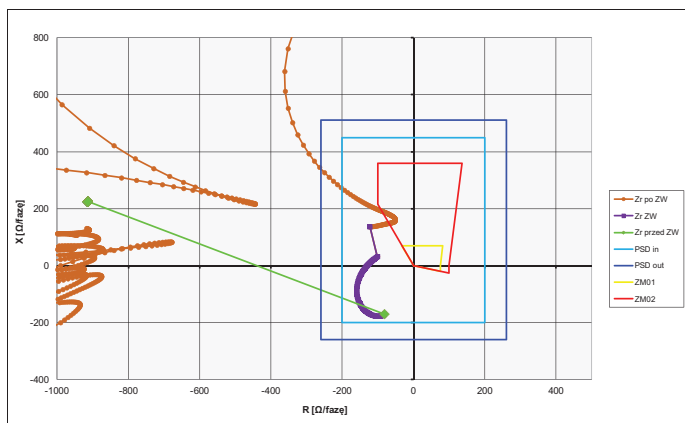




Rys. 8. Schemat węzła elektroenergetycznego Żarnowiec (na podstawie modelu KSE użytego w programie symulacyjnym)



Rys. 9. Przebieg trajektorii impedancji, mierzonej po stronie GN transformatora blokowego hydrozespołu ESP Żarnowiec, w trakcie kołysań synchronicznych wywołanych zwarciem 3f na szynach SLK415; czas trwania zwarcia 0,6 s;  $X_{1lnRv} = 70 \Omega$ ,  $\Delta t_{PSD} = 110 \text{ ms} > t_{P1}$ ,  $t_{ZM02\_set} = 580 \text{ ms} > t_{ZM02\_trip} = 100 \text{ ms}$  (pobudzenie blokady PSD i zablokowanie stref odległościowych)



Rys. 10. Przebieg trajektorii impedancji, mierzonej po stronie GN transformatora blokowego hydrozespołu ESP Żarnowiec, w trakcie kołysań synchronicznych wywołanych zwarciem 3f na szynach SLK415; czas trwania zwarcia 0,6 s;  $X_{1lnRv} = 200 \Omega$ ,  $\Delta t_{PSD} = 0 \text{ ms} < t_{P1}$ ,  $t_{ZM02\_set} = 580 \text{ ms} > t_{ZM02\_trip} = 100 \text{ ms}$  (brak pobudzenia blokady PSD, pobudzenie i zadziałanie strefy odległościowej ZM02)

umożliwiający wykonanie obliczeń rozptyłów mocy i obliczeń dynamicznych. Posiadając takie narzędzia oraz dokładny model rozptyłowy i dynamiczny systemu elektroenergetycznego, można wykonać badania, które pozwolą zweryfikować działanie przekazników impedancyjnych w trakcie zwarć i kołysań mocy.

W związku z tym dla węzła wytwórczego Żarnowiec (rys. 8) zostały wykonane badania symulacyjne. W trakcie symulacji wykorzystano model KSE, który zawierał parametry statyczne i dynamiczne wszystkich węzłów i linii na poziome 400, 220 i 110 kV, transformatorów sprężelowych i rozdzielczych oraz bloków wytwórczych elektrowni systemowych.

Przedstawione wyniki badań symulacyjnych ilustrują przebieg trajektorii impedancji widzianej przez zabezpieczenie odległościowe w przekazniku RED670, w trakcie kołysań mocy wywołanych zwarzami 3-fazowymi w pobliskich liniach i węzłach elektroenergetycznych. Przebiegi te zostały pokazane na tle charakterystyk stref odległościowych i blokady kołysaniowej. Na każdym rysunku zaobserwować można impedancję ruchową  $Z_r$  przed wystąpieniem zakłócenia (kolor zielony), przebieg impedancji  $Z_r$  w trakcie zwarcia (kolor fioletowy) oraz trajektorię impedancji po likwidacji zwarcia (kolor brązowy).

Przed wystąpieniem zakłócenia w ESP Żarnowiec pracowały dwa bloki w trybie generacji mocy o wartości 179 MW i -24 Mvar każdy.

Na rys. 9 i 10 pokazane zostały przebiegi trajektorii impedancji, wywołane zwarciem 3-fazowym na szynach stacji SLK415 trwającym 0,6 s. Powstałe po zwarciu kołysanie ma charakter synchroniczny i jego trajektoria wchodzi w strefę ZM02 zabezpieczenia odległościowego na czas 580 ms. Czas pobudzenia jest dłuższy od nastawionego czasu wyzwolenia, który wynosi 100 ms. W takiej sytuacji strefy odległościowe przekaznika powinny zostać zablokowane przez blokadę kołysaniową. W przypadku pokazanym na rys. 9 następuje pobudzenie blokady kołysaniowej, ponieważ czas przejścia impedancji przez strefę PSD w trakcie zwarcia wynosi 110 ms i jest dłuższy od czasu  $t_{P1} = 50 \text{ ms}$ . Na rys. 10 widzimy sytuację, w której blokada kołysaniowa nie zostaje pobudzona, ponieważ wektor impedancji skokowo przechodzi przez strefę impedancyjną blokady. Parametr  $X_{1lnRv}$  został tu nastawiony na zbyt dużą wartość.

Na rys. 11 przedstawiony został przebieg impedancji wywołany zwarciem 3-fazowym, zlokalizowanym w połowie linii 400 kV, pomiędzy węzłami ZRC i SLK. Likwidacja zwarcia nastąpiła po 0,6 s, poprzez wyłączenie uszkodzonej linii. W tym przypadku dochodzi do asynchronicznych kołysań mocy – hydrozespoły pracujące w ESP Żarnowiec przechodzą do pracy asynchronicznej. Czas przebywania wektora impedancji w strefie blokady kołysaniowej wyniósł 240 ms i jest większy od nastawienia  $t_{P1}$ , co powoduje pobudzenie blokady PSD i zablokowanie stref odległościowych. Brak działania zabezpieczenia odległościowego na skutek pobudzenia blokady kołysaniowej należy uznać za uzasadniony, ponieważ w przypadku pojawienia się kołysań asynchronicznych (utrata synchronizmu

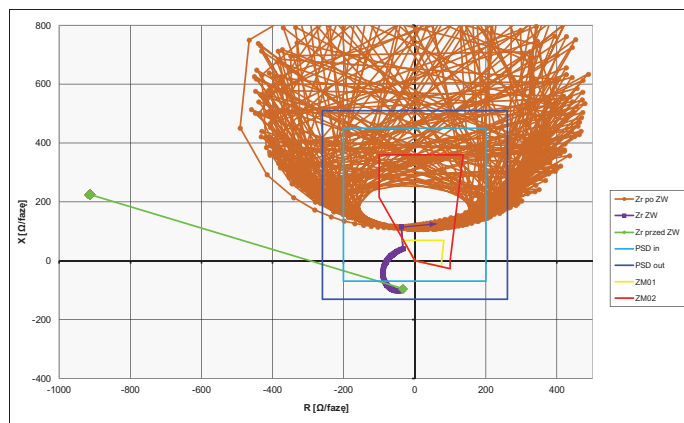
generatorów) wyłączenie bloków powinno zostać zrealizowane za pomocą dedykowanego do tego celu zabezpieczenia od poślizgu biegunów. Zabezpieczenie to wysyła impuls na otwarcie wyłącznika blokowego, przy odpowiednim najkorzystniejszym kącie obciążenia  $\delta$ , po zadanej liczbie obrotów asynchronicznych.

Kolejny przykład kołysań asynchronicznych, wywołany zwarcie 3-fazowym, pokazany został na rys. 12. W tym przypadku zwarcie wystąpiło na jednym torze linii 400kV ZRC-GBL. Zostało ono zlikwidowane po 0,4 s przez wyłączenie uszkodzonego toru. Tutaj jednak blokada kołysaniowa nie zadziałała, ponieważ impedancja w trakcie zwarcia skokowo przeszła przez charakterystykę PSD. Brak pobudzenia blokady powoduje zadziałanie strefy odległościowej i wysłanie impulsu wyłączającego przed zabezpieczeniem od poślizgu biegunów. Taką sytuację należy uznać za nieprawidłową. Gdyby parametr  $X1lnRv$  był ustawiony na mniejszą wartość, wtedy w trakcie zwarcia impedancja znalazłaby się w strefie PSD i nastąpiłoby zadziałanie blokady.

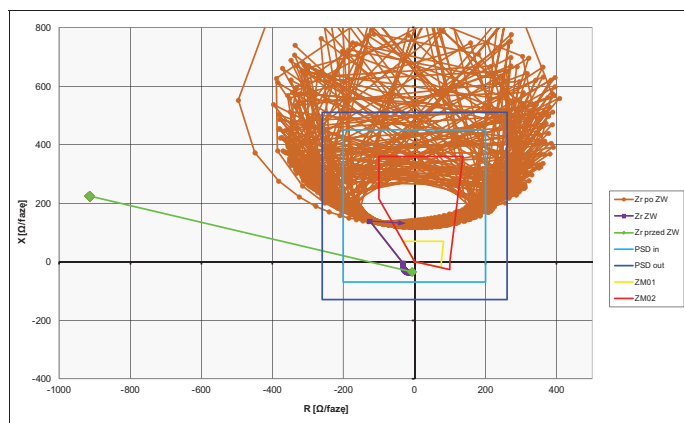
### 5. Podsumowanie i wnioski

Właściwy dobór parametrów blokad kołysaniowych w zabezpieczeniach odległościowych ma istotne znaczenie dla bezpieczeństwa pracy systemu elektroenergetycznego. Przedstawione w artykule wyniki badań pokazują, że w trakcie kołysań mocy zabezpieczenia elektroenergetyczne w różny sposób mogą reagować na to samo zakłócenie w zależności od przyjętych nastawień. Niewłaściwe działanie zabezpieczeń w trakcie kołysań mocy może doprowadzić do poważnej w skutkach awarii systemowej. Dobór nastawień w zabezpieczeniach impedancyjnych powinien być wykonany dla każdego bloku i węzła elektroenergetycznego niezależnie, z uwzględnieniem różnych możliwych konfiguracji sieci oraz parametrów układów regulacji. Tego typu analizy najłatwiej i najtaniej wykonać na podstawie badań symulacyjnych.

Z przeprowadzonych badań można wyciągnąć także wniosek, że przekaźniki odległościowe powinny mieć możliwość niezależnego definiowania charakterystyk blokad kołysaniowych dla stref odległościowych skierowanych do przodu i do tyłu. W obecnie pracujących przekaźnikach impedancyjnych, zainstalowanych m.in. w polach blokowych w przebiegających stacjach WN, zdefiniowane strefy pomiarowe są skierowane w stronę systemu, jak i w stronę elektrowni. W takiej sytuacji charakterystyka blokady kołysaniowej obejmuje wszystkie strefy. Przedstawione wcześniej wyniki symulacji pokazują, że w przypadku zwarcia w systemie wektor impedancji skokowo pojawia się w miejscu, w którym zdefiniowane są strefy skierowane w kierunku systemu (strefa III, IV i V). W trakcie przedłużającego się zwarcia 3-fazowego trajektoria impedancji, w czasie krótszym od 0,5 s, przechodzi do I i II ćwiartki na płaszczyźnie R-X i w efekcie może pobudzić strefy odległościowe skierowane w stronę bloku. W związku z tym, że wektor impedancji skokowo przeszedł przez charakterystykę blokady PSD, nie następuje jej pobudzenie i w efekcie blok może zostać wyłączony przez



Rys. 11. Przebieg trajektorii impedancji, mierzonej po stronie GN transformatora blokowego hydro-zespołu ESP Żarnowiec, w trakcie kołysań asynchronicznych wywołanych zwarcie 3f na linii ZRC-SLK (zwarcie w odległości 50% od węzła ZRC); czas trwania zwarcia 0,6 s;  $X1lnRv = 70 \Omega$ ,  $\Delta t_{PSD} = 240 \text{ ms} > t_{P1}$ ,  $t_{ZM02set} = 140 \text{ ms} > t_{ZM02\_trip} = 100 \text{ ms}$  (pobudzenie blokady PSD i zablokowanie stref odległościowych)



Rys. 12. Przebieg trajektorii impedancji, mierzonej po stronie GN transformatora blokowego hydro-zespołu ESP Żarnowiec, w trakcie kołysań asynchronicznych wywołanych zwarcie 3f na jednym torze linii ZRC-GBL (zwarcie w odległości 20% od węzła ZRC); czas trwania zwarcia 0,4 s;  $X1lnRv = 70 \Omega$ ,  $\Delta t_{PSD} = 0 \text{ ms} < t_{P1}$ ,  $t_{ZM02set} = 200 \text{ ms} > t_{ZM02\_trip} = 100 \text{ ms}$  (brak pobudzenia blokady PSD, pobudzenie i zadziałanie strefy odległościowej ZM02)

strefy I i II skierowane w kierunku elektrowni, mimo że zwarcie miało miejsce w systemie elektroenergetycznym. Przed takim zbędnym działaniem przekaźnika odległościowego można by się ustrzec, gdyby blokadę PSD można było niezależnie zdefiniować dla stref skierowanych w stronę bloku i w stronę systemu. Mając taką możliwość, należałoby tak dobrać parametry charakterystyki blokady kołysaniowej, aby przylegała ona jak najbliżej do stref odległościowych skierowanych w daną stronę.

Należy także podkreślić, że przeprowadzone badania obiektowe przekaźnika RED670 produkcji firmy ABB wykazały prawidłowe zachowanie się funkcji odległościowych w trakcie generowanych kołysań mocy. Blokada kołysaniowa pobudzała się zgodnie z oczekiwaniami przy danych nastawieniach i parametrach kołysań. Nie stwierdzono odstępstw od deklarowanego przez producenta algorytmu działania blokady PSD.

### Bibliografia

1. ABB, Technical reference manual. Line differential protection IED RED 670, Document ID: 1MRK505183-UEN, Issued: December 2007.
2. ABB, Application manual. Line differential protection IED RED 670, Document ID: 1MRK505186-UEN, Issued: January 2008.
3. ABB, Technical reference manual. Line distance protection IED REL 670, Document ID: 1MRK506275-UEN, Issued: December 2007.
4. ABB, Application manual. Line distance protection IED REL 670, Document ID: 1MRK506278-UEN, Issued: December 2007.
5. Bakoń T. i in., Opracowanie katalogu wymagań dla systemów zabezpieczeń elektrycznych generatorów w zakresie stosowanych funkcji i koordynacji ich nastaw w sieci przesyłowej, Etap I, Instytut Energetyki, Warszawa 2010.



6. Dobrzyński K., Klucznik J., Lubośny Z., Zabezpieczenia impedancyjne bloków energetycznych przy zwarcjach bliskich, materiały XIV Ogólnopolskiej Konferencji „Zabezpieczenia Przekaznikowe w Energetyce”, Warszawa-Józefów, 19–21 października 2011.
7. Dytry H. i in., Opracowanie katalogu wymagań dla systemów zabezpieczeń elektrycznych generatorów w zakresie stosowanych funkcji i koordynacji ich nastaw z EAZ w sieci przesyłowej, Etap II, Instytut Energetyki, Politechnika Gdańska, Warszawa 2011.
8. Machowski J., Smolarczyk A., Brzeszczak L., Opracowanie zasad nastaw blokad przeciwkołysaniowych zabezpieczeń pod kątem odbudowy systemu, Instytut Elektroenergetyki Politechniki Warszawskiej, Warszawa 2005.
9. Smolarczyk A., Sposoby nastawiania impedancyjnych blokad przeciwkołysaniowych stosowanych w zabezpieczeniach odległościowych, materiały XV Międzynarodowej Konferencji Naukowej „Aktualne Problemy w Elektroenergetyce”, Gdańsk-Jurata, 8–10 czerwca 2011.

#### Maciej Łosiński

dr inż.

Elektrownia Wodna Żarnowiec

e-mail: e-mail: m.losinski@ewz.pl

Po ukończeniu studiów na Wydziale Elektrotechniki i Automatyki Politechniki Gdańskiej rozpoczął pracę w Elektrowni Wodnej Żarnowiec (1998). Obecnie zajmuje tam stanowisko kierownika Wydziału Automatyki i Zabezpieczeń. Stopień doktora nauk technicznych zdobył na swoim macierzystym wydziale (2005). Jego zainteresowania naukowe koncentrują się wokół zagadnień związanych z elektroenergetyczną automatyką zabezpieczeniową oraz modelowaniem i analizą pracy systemów elektroenergetycznych, ze szczególnym uwzględnieniem problematyki regulacji napięcia i rozplywu mocy biernej.

#### Jacek Klucznik

dr inż.

Politechnika Gdańska

e-mail: j.klucznik@eia.pg.gda.pl

Studia magisterskie ukończył na Wydziale Elektrotechniki i Automatyki Politechniki Gdańskiej (1999). Pięć lat później uzyskał tytuł doktorski. Pracuje jako adiunkt w Katedrze Elektroenergetyki swojej macierzystej uczelni. Zajmuje się układami regulacji generatorów i turbin, energetyką wiatrową oraz elektroenergetyczną automatyką zabezpieczeniową.