

Protection of Earthing Reactor Connected to the Star Point of a High Voltage Shunt Reactor

Authors

Krzysztof Dobrzyński
Jacek Klucznik
Zbigniew Lubośny
Stanisław Czapp

Keywords

high voltage overhead line, earthing reactor, protection, shunt reactor

Abstract

The article presents the problem of protection of earthing reactors connected to the star point of shunt reactors in high voltage lines, with particular regard to the detection of internal faults. Model analyses for an actual system commissioned in 2015, which is intended to be provided with earthing reactors, are included.

DOI: 10.12736/issn.2300-3022.2017204

Received: 07.02.2017

Accepted: 27.03.2017

Available online: 30.06.2017

1. Introduction

In 2015 the interconnection was commissioned between the Polish system and the Lithuanian system [3–5], consisting of Elk Bis – Alytus two-circuit 400 kV line and a Back-to-Back (BtB) direct current system installed at Alytus substation (Fig. 3). This interconnection is an energy bridge binding the ENTSO-E system with the systems of Baltic states: Lithuania, Latvia and Estonia. On each end of the line, and independently for each circuit track, shunt reactors have been installed to compensate for reactive power. The reactor's power is 2 x 50 MVAR on the side of Elk Bis substation, and 2 x 72 MVAR on the side of Alytus substation. Shunt reactors have been used in high voltage lines for a long time. For the Polish power system, however, it is a pioneering solution which gives the Polish operator an opportunity to familiarise themselves with the specifics of the operation of such systems, especially in close correlation with the DC system. It should be also remembered that solutions of this kind are always designed for a particular location in the system, so the specificity of individual solutions may vary.

At present, the star point of the shunt reactors connected to the line on the Elk Bis substation side is directly earthed, and on the Alytus substation side is earthed through an earthing reactor. In 2016, the transmission network operator (TSO) decided that the star point of the shunt reactors on the Elk Bis side should also be able to be earthed through an earthing reactor. Their purpose

is to reduce the recovery voltage and secondary arc current during a single pole auto-reclosing cycle.

The proposed solution assumes the earthing reactor's operation concurrently with a bypass switch closed during the grid's normal operating conditions. This solution provides a certain flexibility, i.e. the grid operator can decide if they want the earthing reactor to operate continuously or whether it shall be only switched on for the interruption time in auto-reclosing cycle. Analyses commissioned by the TSO showed [6] that in some fault conditions (not related to the Elk Bis – Alytus line) the continuous reactor operation could lead to a significant increase in overvoltages. The article presents considerations under the assumption of the earthing reactor operation during single pole auto-reclosing cycle.

Because of the specifics of the earthing reactor operation, when in the grid's normal operating condition, the voltage on its terminals is nearly zero, difficulties appear with detecting disturbances in the reactor. The article analyses the potential disturbances that can occur in the reactor and the possibilities of their detection by dedicated protections.

2. Preliminary concept of earthing reactor's protection

The structure of the existing shunt reactor and its proposed expansion are shown in Fig. 1.

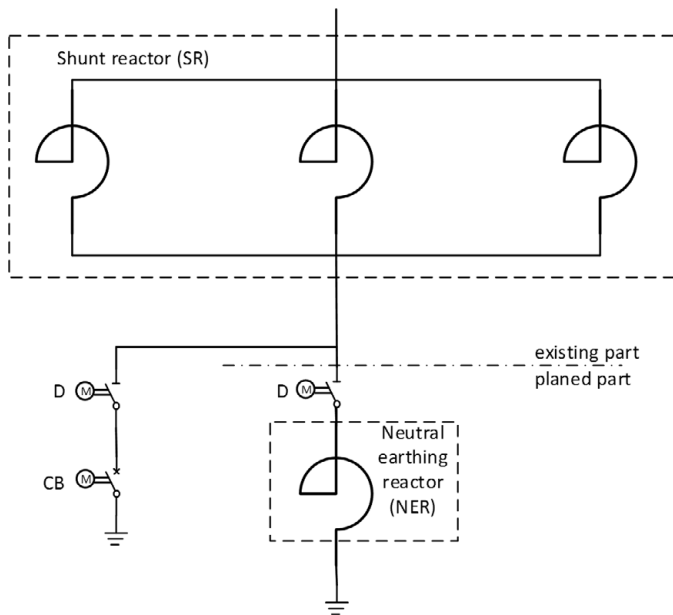


Fig. 1. Proposed earthing reactor design

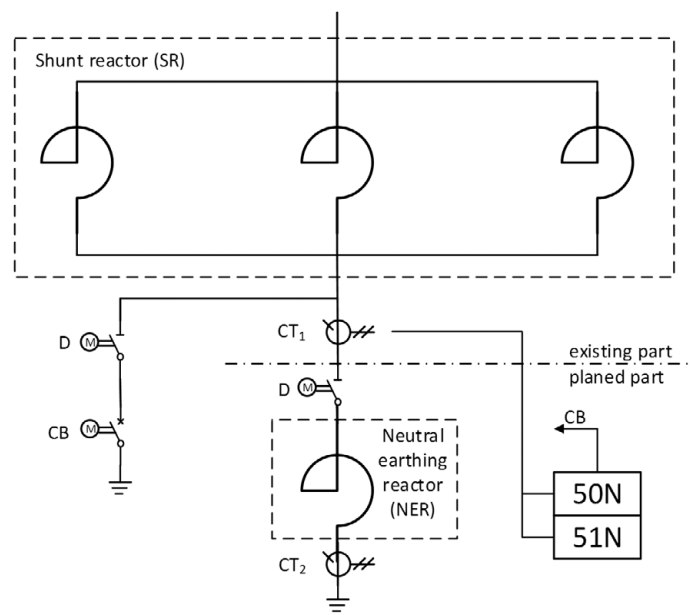


Fig. 2. Preliminary concept of earthing reactor's protection

During the system's normal operation (no faults), disconnectors (D) and circuit breaker (CB) (Fig. 1) are closed, and the shunt reactor operates with its star point earthed. The earthing reactor shall be switched on only in the event of a single-phase short-circuit in the Ełk Bis – Alytus line and the use of the single pole auto-reclosing.

In this case, the signal triggering the auto-reclosing simultaneously opens circuit breaker (CB) bypassing the earthing reactor. The circuit breaker shall be reclosed after a certain delay following the interruption time in the auto-reclosing cycle.

The use of earthing reactor entails the development of a concept of selecting a set of suitable protections and their settings.

The reactor protection issues have been described in the technical reports of CIGRE [1] and IEEE [2] working groups, but these are studies on shunt reactors connected to lines or substation buses. Based on the above-mentioned documents, the following shunt reactor protection features can be listed:

- differential protection (phase) (87R)
- restricted earth fault protection (differential) covering shunt reactor's neutral point (87N)
- instantaneous overcurrent protection (50)
- time delayed overcurrent protection (51)
- time delayed earth fault overcurrent protection (51N)
- distance protection (21)
- earth fault protection (between tank and earth)
- negative sequence overcurrent protection (67Q)
- breaker failure protection (51BF)
- interturn insulation fault protection (various types)
- off-phase circuit-breaker opening protection
- Buchholz protection, from sudden pressure increase (63).

Not all of these protections should be applied to the earthing reactor. Mainly due to the reactor type, which in this case is an air reactor. On the other hand, the reactor's single-phase design will

also be decisive. Nevertheless, the earthing reactor protection solution can be deduced from these documents [1, 2].

The TSO in the initial phase had defined a protection functions for the earthing reactor:

- 51N – time delayed overcurrent protection, two step
- 50N – instantaneous overcurrent protection
- 46 – negative sequence time overcurrent protection.

In this set of protections, the negative sequence overcurrent must be dispensed with because of the inability to measure negative sequence current (single-phase object). The other two protections were correctly identified, with the main aim being to protect the reactor from the effects of overcurrents. Fig. 2 shows the initial assumption of the protection circuit for the earthing reactor. It was also assumed that the protections should be power supply from current transformer CT₁ installed on the bus side of the earthing reactor.

The assumed rating of the earthing reactor determines the settings of protection functions, which in this case have been determined as follows:

- 51N – first step, pick-up current: 12 A with delay time 120 s (nominal continuous rated current of the reactor is 10 A)
- 51N – second step, pick-up current: 65 A with delay time 7 sec (nominal short-circuit current of the reactor for $t = 10$ s is 65 A)
- 50N – pick-up current: 120 A (RMS) (nominal short-circuit current is 170 A – peak value).

3. Grid model

Computer analyses were performed on a model implemented in DlgSILENT PowerFactory® program, a part of which (the closest surroundings of the Ełk Bis – Alytus line) is shown in Fig. 3.

Selected 400 kV lines were included magnetic couplings as well as capacitive coupling between circuits., namely:

- double circuit Ełk Bis – Alytus line (U009, U010)
- double circuit Ełk Bis – Łomża line (E701, E702)

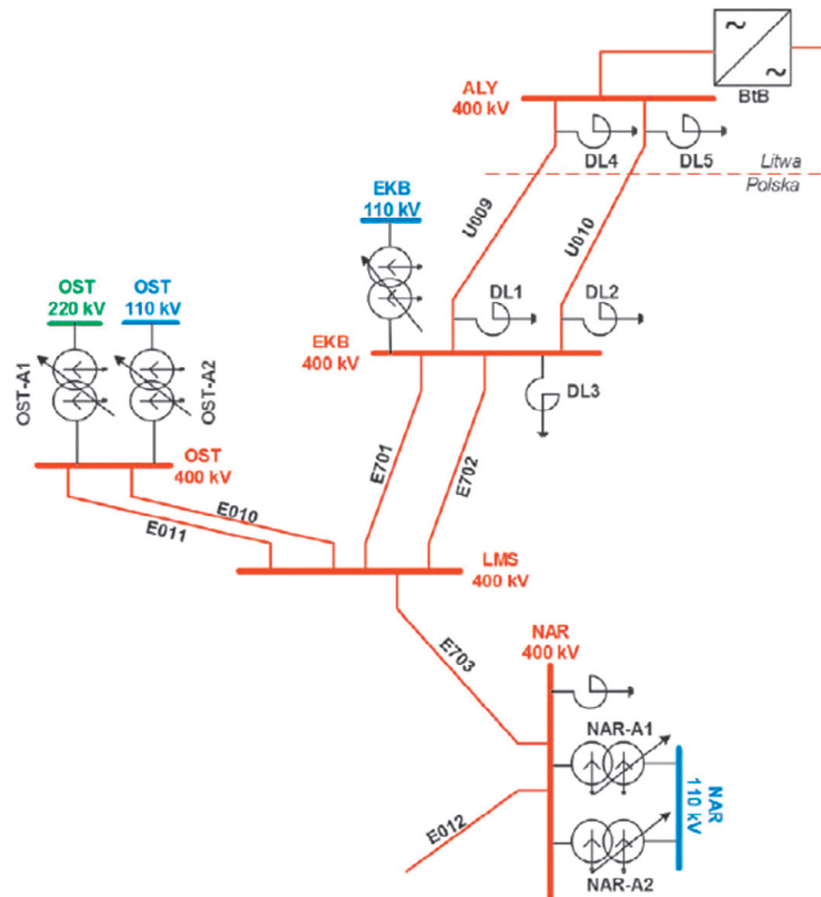


Fig. 3. Part of the model of the analysed 400 kV power system

- double circuit Łomża – Ostrołęka line (E010, E011)
- single circuit Łomża – Narew line (E702).

With the geometric modelling of these lines, a specific grid asymmetry was obtained at the point of connection of shunt reactors (DL1 and DL2), to which the earthing reactors' connection is contemplated. This asymmetry is also visible in the grid's normal operating condition, where there are voltage variations in each phase power supplying the shunt reactor, and the current in the earthing reactor is ca. 0.2 A.

4. Detection of internal short circuits in earthing reactor

The model described in Chapter 3 was used to analyse internal faults in the earthing reactor.

The TSO had assumed that in the system's normal (no faults) condition the earthing reactor is bypassed with the circuit breaker. This means a very small current flow through the reactor. If in such a condition the earthing reactor gets damaged, then the situation will not change substantially anyway, and the proposed protections will not detect the failure.

Considering the case whereby the bypass circuit breaker is constantly open, and at the same time assuming that the earthing reactor's insulator gets earthed, the current flowing through the current transformer increases – more than twice, but it still is less than 1 A (Fig. 4).

The above fault case, because it eliminates the earthing reactor impedance from the short-circuit loop, is most significant in terms of the current flowing to the earth. For other failures in the reactor, e.g. winding to earth short-circuit, a part of the reactor impedance will be present in the short-circuit loop, so that the current flowing through the current transformer will be smaller. This shows that in the grid's normal operating condition the operator will not be aware of the failure in the reactors. Higher currents should be expected in the case of external failure. In the first step, consideration was given to the situation currently assumed by the TSO, in which the bypass circuit breaker is opened during a single pole auto-reclosing cycle. Simulation was performed in which the following sequence of events was assumed:

- 0.1 s – single-phase short-circuit at 5% of the Elk Bis-Alytus line length, from Elk Bis substation
 - 0.2 s – opening both sides of Elk Bis – Alytus line, and opening of the circuit breaker bypassing the earthing reactor
 - 0.6 s – end of fault in Elk Bis – Alytus line
 - 1.6 s – close both sides of Elk Bis – Alytus line
 - 1.7 s – closing of the earthing reactor's bypass circuit breaker.
- In addition, the results include two variants of power system operation:
- W1 – shunt reactors earthed by earthing reactors at Alytus substation
 - W2 – shunt reactors off at Alytus substation.

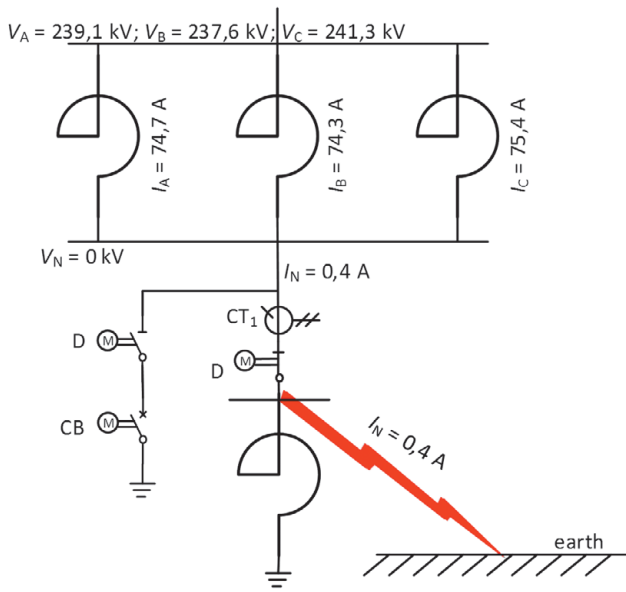


Fig. 4. Results obtained during short-circuit from insulator of the earthing reactor to earth

Opening of the earthing reactor's bypass circuit breaker causes an increase of the voltage at the star point to ca. 60 kV (Fig. 5), and after 100 ms it decreases to ca. 50 kV. In turn, the current flowing through the earthing reactor is ca. 40 A (Fig. 6). The current and

its flow time do not trigger the earthing reactor's protection. It can therefore be assumed that the protections' settings in this case were properly selected, since they should not respond to external failures.

Considerations show that the only case where a relatively high current will flow through the earthing reactor when it is failed is a simultaneous single-phase short circuit in Elk Bis – Alytus line, which will activate the single pole auto-reclosing and will open the earthing reactor's bypass circuit breaker, and a fault in the earthing reactor. Below are the results showing this scenario, with the following sequence assumed:

- 0.1 s – single-phase short-circuit at 5% of the Elk Bis–Alytus line length, from Elk Bis substation
- 0.2 s – opening both sides of Elk Bis – Alytus line, and opening of the circuit breaker bypassing the earthing reactor
- 0.5 s – short-circuit of earthing reactor insulator to earth, by resistance 20Ω
- 0.6 s – end of fault in Elk Bis – Alytus line
- 1.6 s – closing both sides of Elk Bis – Alytus line
- 1.7 s – closing of the earthing reactor's bypass circuit breaker.

In this case, until the occurrence of a fault in the earthing reactor ($t = 0.5$ s) the voltage at the star point of the shunt reactor (Fig. 7) changes the same way as in the previous simulation (Fig. 5). From the occurrence of the short-circuit of the earthing reactor insulator to earth, the voltage decreases close to zero, which results from the reactor short circuit's modelling by a resistance 20Ω .

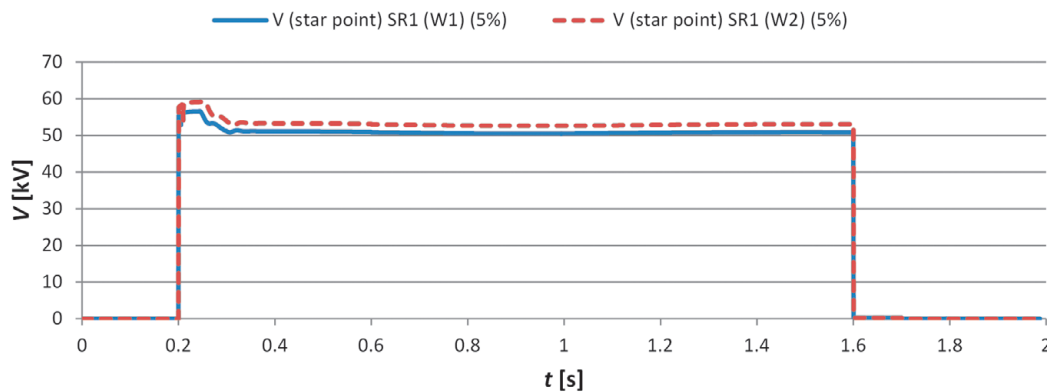


Fig. 5. Voltage at the star point of shunt reactor; SR1 – shunt reactor connected to circuit I of Elk Bis – Alytus line on the side of Elk Bis substation

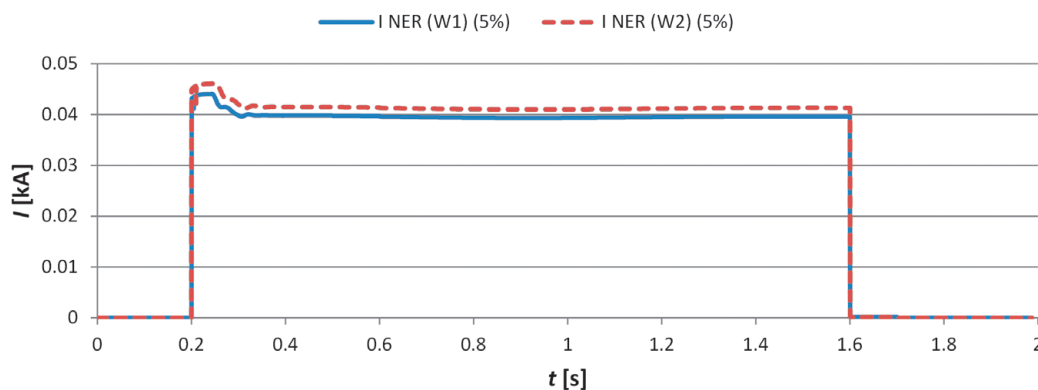


Fig. 6. Current in earthing reactor; NER – earthing reactor

In turn, the current in the current transformer (Fig. 8) significantly increases to ca. 70 A. This is more than the setting of 51N protection's second step (65 A), but the duration of this current is limited by the auto-reclosing cycle's interruption time. Even if the earthing reactor has got faulted before the external failure, the duration of the current will not exceed 2 s.

The proposed set of protections protects the earthing reactor from overcurrent, but is unable to detect its failure and to notify the operator accordingly. It was therefore proposed to extend the protection set with a differential function that compares the currents flowing in current transformer CT1 and CT2. This assumption was verified made by simulating the following faults:

- short-circuit of the earthing reactor insulator to earth
- short-circuit of the of earthing reactor winding to earth
- interturn fault of the earthing reactor winding.

At the same time, it was each time assumed that there would be an external fault causing a large asymmetry in the grid.

4.1. Short-circuit of the earthing reactor insulator to earth

It was assumed for the short-circuit of the earthing reactor insulator to earth analysis that the earthing reactor's bypass circuit breaker is open. The following sequence of events was simulated:

- 0.1 s – single-phase short-circuit of shunt reactor bus
- 0.3 s – short-circuit of the earthing reactor insulator to earth, by resistance 20 Ω
- 0.4 s – end of fault in shunt reactor.

Fig. 9 shows the currents flowing at “from” to “end” side of the earthing reactor. It follows from the figure that in the presented variant (W1) the single-phase short-circuit on the shunt reactor bus causes ca. 30 A current flow in the earthing reactor (time interval 0.1–0.3 s). The occurrence of an additional earth fault of the earthing reactor insulator (time interval 0.3–0.4 s) causes the near zero current to flow through the reactor, and current flowing through current transformer CT1 (flowing de facto to the earth) rises to ca. 65 A, that is to the earthing reactor's rated short time current for 10 second. It should be noted that the value of this current is primarily due to the short circuit of the shunt reactor bus, which should be detected by the shunt reactor's protection. When the end of fault on the shunt reactor bus (time interval 0.4–0.5 s), and the earth fault of the earthing reactor insulator remains, then the earth current decreases practically to zero. It follows from the presented simulation that for the unambiguous detection of a failure occurred in the earthing reactor, a differential protection is necessary that measures the currents of “from” and “to” side of this reactor. However, such an internal fault could be detected only in the case of an asymmetric external failure occurrence.

4.2. Short-circuit of the earthing reactor winding to earth

Another analysed disturbance was a short-circuit of the earthing reactor winding to earth. Faults at three different lengths of the earthing reactor winding were simulated: 10%, 50% and 90%. The following sequence of events was simulated:

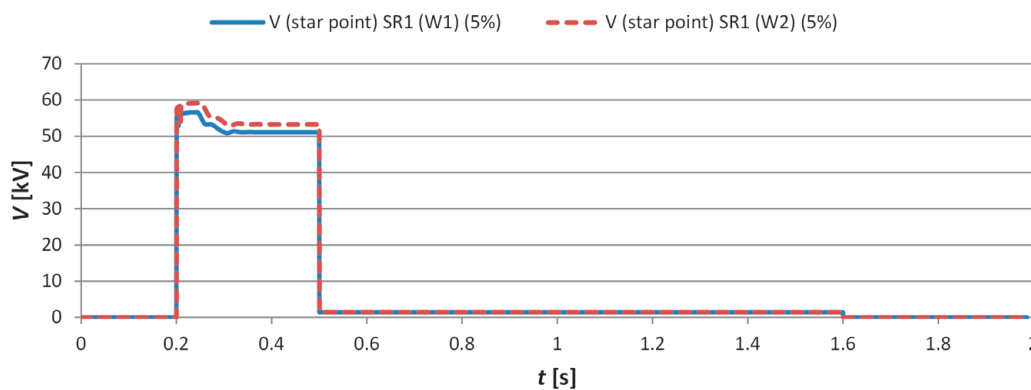


Fig. 7. Voltage at the star point of shunt reactor; SR1 – shunt reactor connected to circuit I of Elk Bis – Alytus line on the side of Elk Bis substation

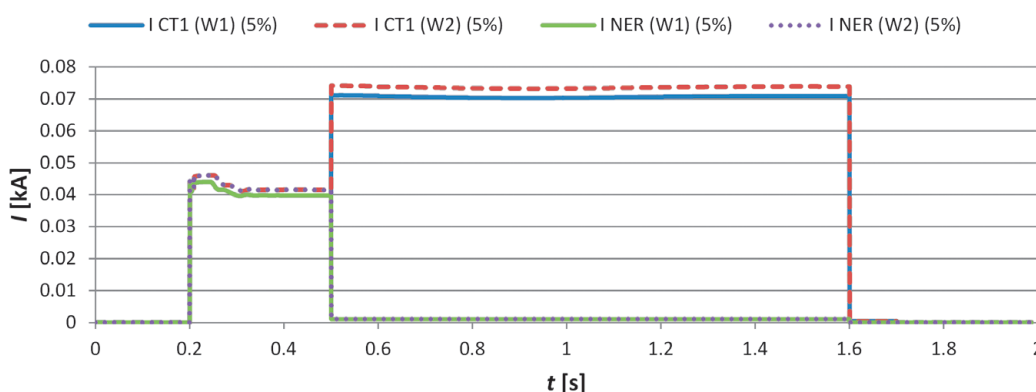


Fig. 8. Current in earthing reactor (I NER) and current in current transformer (I CT1)

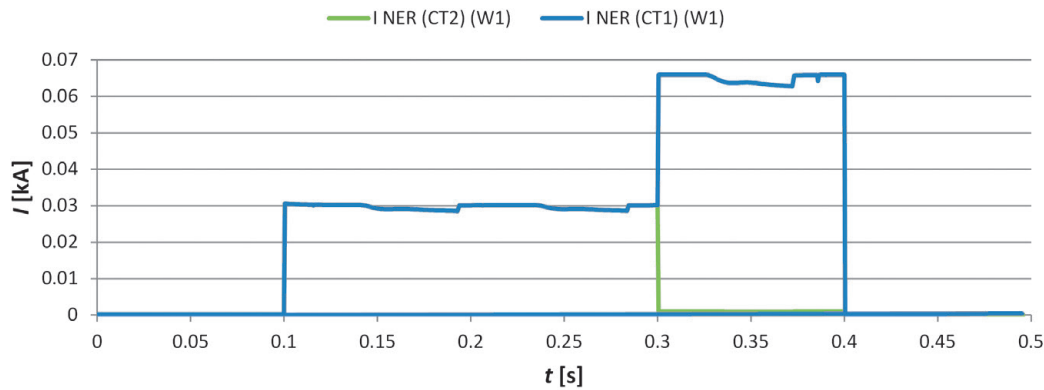


Fig. 9. Currents at “from” (CT1) and at “to” (CT2) side of earthing reactor (NER) during single-phase short-circuit of shunt reactor bus and earth fault of earthing reactor insulator

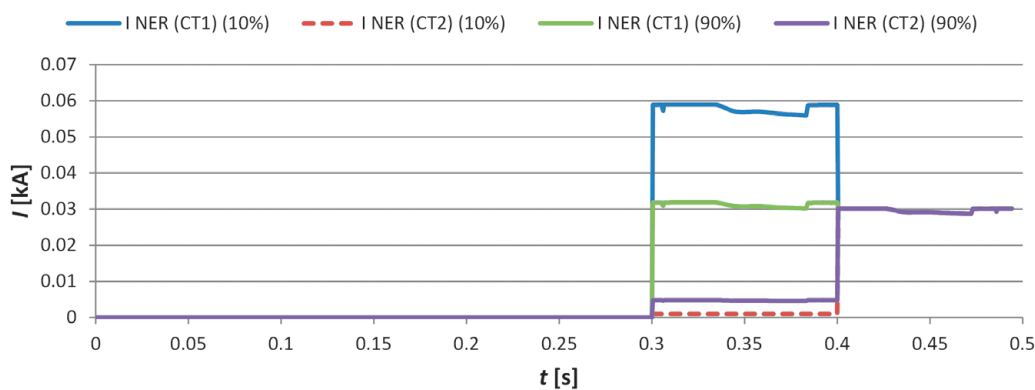


Fig. 10. Currents at “from” (CT1) and at “to” (CT2) side of earthing reactor (NER) during single-phase short-circuit of shunt reactor bus and earth fault at 10% and 90% of earthing reactor winding length (W1)

- 0.1 s – short-circuit of the earthing reactor winding to earth
- 0.2 s – single-phase short-circuit on shunt reactor bus
- 0.3 s – opening of earthing reactor’s bypass circuit breaker
- 0.4 s – end of fault of earthing reactor.

The analyses were carried out for variant W1, in which the shunt reactors at Alytus are working.

Figure 10 shows the current flows at “from” (I NER (CT1)) and at “to” (I NER (CT2)) side of the earthing reactor.

As follows from these waveforms, the occurrence of a short-circuit in the earthing reactor only does not cause current flow in this reactor (time interval 0.1–0.2 s). Only a single-phase short-circuit of the shunt reactor bus and the opening of the bypass circuit breaker causes the current to flow through the earthing reactor (time interval 0.3–0.4 s). In this case, based on the difference of currents measured by CT₁ and CT₂ transformers, the reactor’s fault can be concluded. It should be noted that this is only possible if there is an additional external failure causing an asymmetry in the power system.

4.3. Interturn fault of the earthing reactor winding

The last potential failure that may occur in the earthing reactor is a short-circuit between the winding turns. A interturn fault

was analysed involving: 5%, 10%, 50% of the turns. The following sequence of events was simulated:

- 0.1 s – interturn fault in earthing reactor
- 0.2 s – single-phase short-circuit on shunt reactor bus
- 0.3 s – opening of earthing reactor’s bypass circuit breaker
- 0.4 s – end of fault in earthing reactor.

Fig. 11 shows the currents at “from” and at “to” side the earthing reactor. It follows from the waveforms that no interturn fault can be detected based on the difference of currents measured by CT₁ and CT₂ current transformer.

Depending on the number of shorted turns, the current flowing through the earthing reactor will increase from ca. 30 A where the turns are few, to ca. 65 A where the entire reactor is shorted (Fig. 12).

5. Summary

The proposed earthing reactor protection is sufficient to protect against the effects of overcurrents. However, it does not enable the detection of a failure occur in the reactor. It has been therefore proposed to extend the protection functions with a differential function capable of detecting most failures occurred in the reactor (except interturn faults).

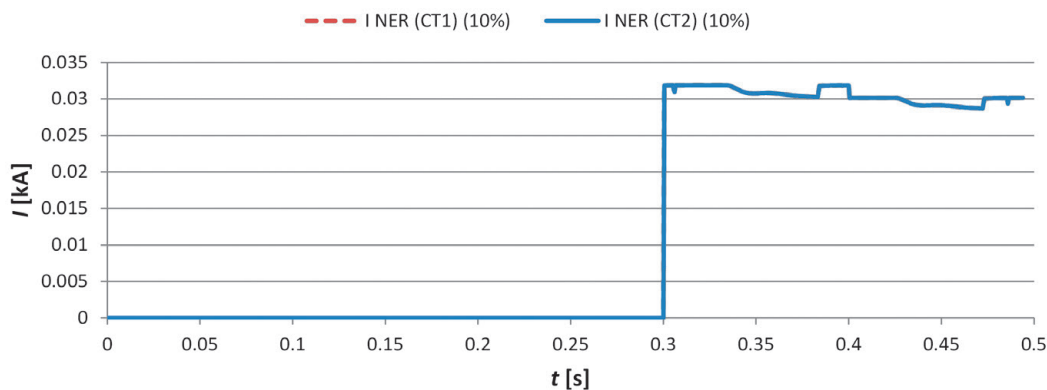


Fig. 11. Currents at “from” (CT1) and at “to” (CT2) side of earthing reactor (NER) during single-phase short-circuit of shunt reactor bus and interturn fault with 10% turns shorted (W1)

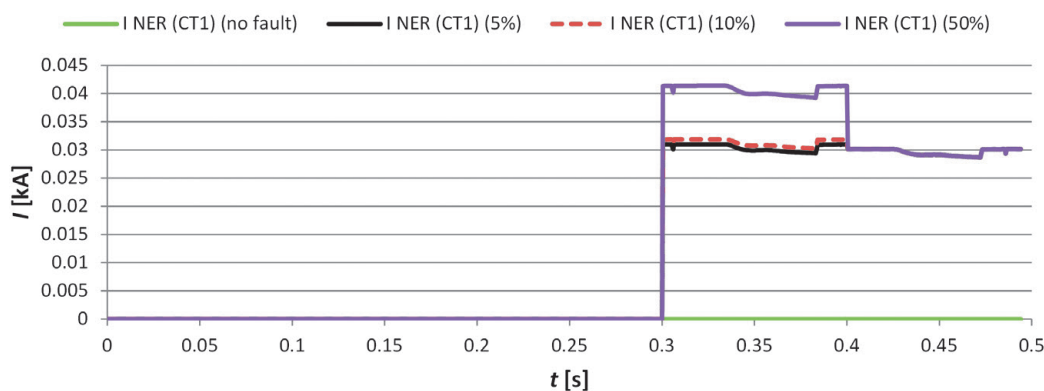


Fig. 12. Currents at “from” (CT1) and at “to” (CT2) side of earthing reactor (NER) during single-phase short-circuit of shunt reactor bus and interturn fault with different number of turns shorted (W1)

REFERENCES

1. CIGRE Working Group B5.37, “Protection, Monitoring and Control of Shunt Reactors”, 2013.
2. IEEE Power Engineering Society, “IEEE Guide for the Protection of Shunt Reactors”, 2007.
3. Z. Lubośny, J. Klucznik, K. Dobrzyński, “Problems of Selecting Protection for Shunt Reactors Working in Extra-High Voltage Grids”, *Acta Energetica*, No. 2 (27), 2016, pp. 139–143.
4. J. Klucznik et al., “Nonlinear secondary arc model use for evaluation of single pole auto-reclosing effectiveness”, *COMPEL – The International Journal For Computation And Mathematics In Electrical And Electronic Engineering*, Vol. 34, No. 3, 2015, pp. 647–656.
5. <http://www.litpol-link.com/>.
6. R. Zajczyk et al., “Analiza potencjalnych zagrożeń dla pracy BtB w wyniku zakłóceń w sieci polskiej wraz z opisem możliwych działań zaradczych” [Analysis of potential threats to BtB operation resulting from failures in the Polish power system, with a description of possible remedial actions] [not published, commissioned by PSE SA], 2016.

Krzysztof Dobrzyński

Gdańsk University of Technology

e-mail: krzysztof.dobrzynski@pg.gda.pl

Graduated from the Faculty of Electrical Engineering at Warsaw University of Technology (1999). He obtained his Ph.D. at the Faculty of Electrical and Control Engineering at Gdańsk University of Technology (2012). An assistant professor at the Power Engineering Department of Gdańsk University of Technology. His areas of interest include interoperation of distributed generation sources with the power system, mathematical modelling, power system control, and intelligent systems in buildings.

Jacek Klucznik

Gdańsk University of Technology

e-mail: jacek.klucznik@pg.gda.pl

He graduated from the Faculty of Electrical and Control Engineering at Gdańsk University of Technology (1999). Five years later he obtained his Ph.D. An assistant professor at the Power Engineering Department of his alma mater. His areas of interest include control systems for generators and turbines, wind power generation, and power system automatic protections.

Zbigniew Lubośny

Gdańsk University of Technology

e-mail: zbigniew.lubosny@pg.gda.pl

Graduated from Gdańsk University of Technology. A professor of engineering since 2004. Currently an associate professor at Gdańsk University of Technology. His areas of interest include mathematical modelling, power system stability, power system control, use of artificial intelligence application in power system control, and modelling and control of wind turbines. Editor in Chief of *Acta Energetica*.

Stanisław Czapp

Gdańsk University of Technology

e-mail: stanislaw.czapp@pg.gda.pl

A graduate of Gdańsk University of Technology (1996). An employee of the Faculty of Electrical and Control Engineering of his alma mater. His research activity is related to electrical installations and appliances, electric lighting, and in particular the protection against electric shock. Author or co-author of many articles and papers, and unpublished studies such as designs and expert evaluations and opinions. Expert of SEP Association of Polish Electrical Engineers in section 08 Electrical installations and appliances.

This is a supporting translation of the original text published in this issue of "Acta Energetica" on pages 42–49. When referring to the article please refer to the original text.

PL

Zabezpieczanie dławika uziemiającego przyłączonego do punktu gwiazdowego dławika kompensacyjnego wysokiego napięcia

Autorzy

Krzysztof Dobrzyński
Jacek Klucznik
Zbigniew Lubośny
Stanisław Czapp

Słowa kluczowe

linia napowietrzna wysokiego napięcia, dławik uziemiający, elektroenergetyczna automatyka zabezpieczeniowa, dławik kompensacyjny

Streszczenie

W artykule przedstawiono problematykę zabezpieczania dławików uziemiających przyłączanych do punktu gwiazdowego dławików kompensacyjnych stosowanych w liniach wysokiego napięcia, ze szczególnym uwzględnieniem detekcji zwarć wewnętrznych. Załączono analizy modelowe dla rzeczywistego układu oddanego do pracy w 2015 roku, który docelowo ma zostać doposażony w dławiki uziemiające.

Data wpływu do redakcji: 07.02.2017

Data akceptacji artykułu: 27.03.2017

Data publikacji online: 30.06.2017

1. Wstęp

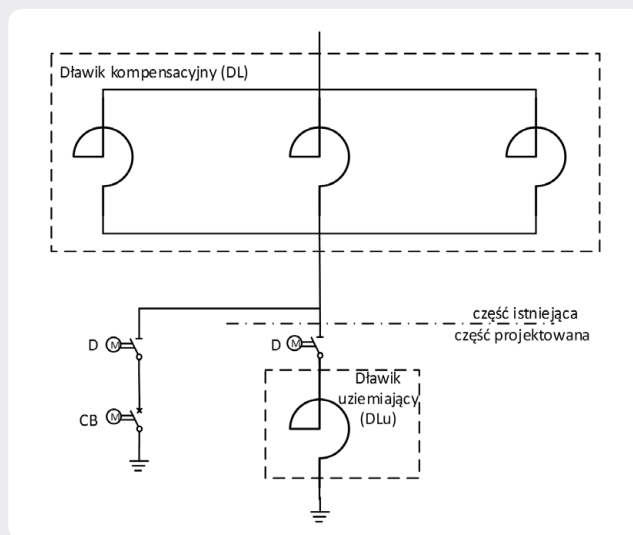
W 2015 roku zostało oddane połączenie systemu polskiego z systemem litewskim [3–5], na które składa się linia dwutorowa 400 kV relacji Elk Bis – Alytus i układ prądu stałego *Back-to-Back* (BtB) zainstalowany w stacji Alytus (rys. 3). Połączenie to stanowi most energetyczny wiążący system ENTSO-E z systemami krajów bałtyckich: Litwy, Łotwy i Estonii. Z każdej strony wybudowanej linii i niezależnie dla każdego toru, w celu kompensacji mocy biernej, zastosowano dławiki kompensacyjne. Moc dławików wynosi 2 x 50 Mvar po stronie stacji Elk Bis i 2 x 72 Mvar po stronie stacji Alytus. Wykorzystywanie dławików kompensacyjnych w liniach wysokich napięć stosowane jest już od dawna.

Dla polskiego systemu elektroenergetycznego to jednak rozwiązanie pionierskie, które polskiemu operatorowi daje możliwość dobrego poznania specyfiki pracy tego typu układów, zwłaszcza w ścisłej korelacji z układem prądu stałego. Należy również pamiętać, że tego typu rozwiązania zawsze projektowane są dla danego miejsca w systemie, zatem specyfika poszczególnych rozwiązań może się różnić.

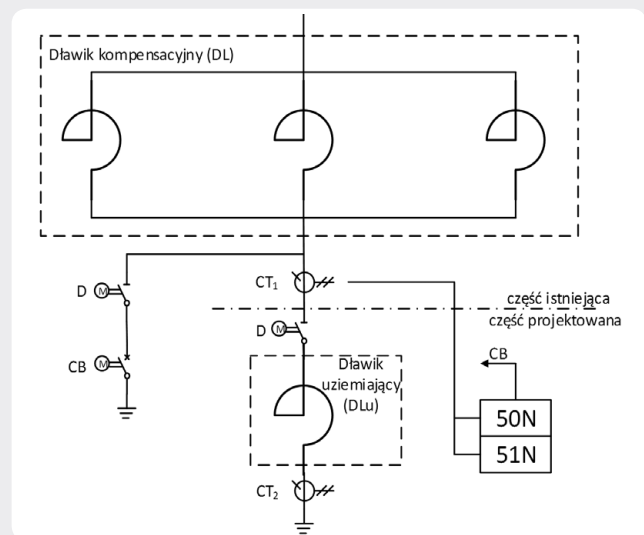
Aktualnie punkt gwiazdowy dławików kompensacyjnych przyłączonych do linii po stronie stacji Elk Bis jest bezpośrednio uziemiony, a po stronie stacji Alytus uziemiony przez dławik uziemiający. W 2016 roku operator sieci przesyłowej (OSP) zdecydował, że punkt gwiazdowy dławików kompensacyjnych po stronie stacji Elk Bis

powinien również mieć możliwość uziemienia przez dławik uziemiający. Ich zastosowanie ma na celu zmniejszenie wartości napięcia powrotnego i prądu wrotnego występującego podczas cyklu 1-fazowego SPZ.

Planowane rozwiązanie zakłada pracę dławika uziemiającego z jednoczesnym zastosowaniem wyłącznika bocznikującego, zamkniętego podczas normalnych stanów pracy sieci. Takie rozwiązanie daje określoną elastyczność, tzn. operator sieci może zdecydować, czy chce, żeby dławik uziemiający pracował w sposób ciągły, czy ma być on jedynie załączany na czas przerwy bezpieczeństwa SPZ. Analizy przeprowadzone na zlecenie OSP wykazały [6], że ciągła praca dławika, w niektórych stanach



Rys. 1. Projektowany układ dławika uziemiającego



Rys. 2. Wstępna koncepcja zabezpieczenia dławika uziemiającego

This is a supporting translation of the original text published in this issue of "Acta Energetica" on pages 42–49. When referring to the article please refer to the original text.

PL

zakłóceń (nie dotyczących linii Elk Bis – Alytus), może prowadzić do znacznego wzrostu przepięć. W artykule przedstawiono rozważania zakładające pracę dławika uzmiemiającego podczas cyklu 1-fazowego SPZ. Ze względu na specyfikę pracy dławika uzmiemiającego, kiedy w normalnym stanie pracy sieci napięcie na jego zaciskach jest bliskie zeru, pojawiają się trudności z detekcją zakłóceń występujących w dławiku. W artykule przeanalizowano potencjalne zakłócenia, jakie mogą wystąpić w dławiku i możliwości ich detekcji przez dedykowane zabezpieczenia.

2. Wstępna koncepcja automatyki zabezpieczeniowej dławika uzmiemiającego
Strukturę istniejącego układu dławika kompensacyjnego i jego planowaną rozbudowę przedstawiono na rys. 1.

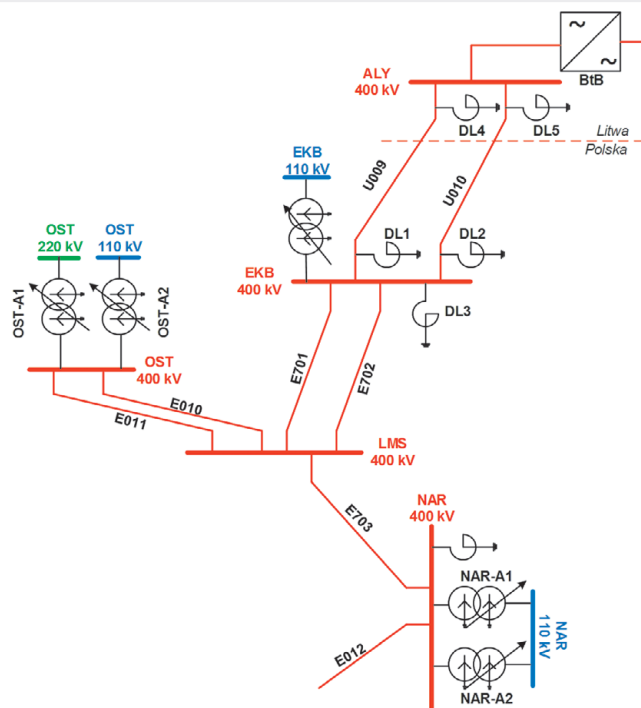
Podczas normalnego stanu pracy systemu (bezzakłóceń) odłączniki (D) i wyłącznik (CB) (rys. 1) są zamknięte i dławik kompensacyjny pracuje z bezpośrednio uzmiemionym punktem gwiazdowym. Dławik uzmiemiający ma być włączany do pracy tylko w przypadku wystąpienia zwarcia 1-fazowego w linii Elk Bis – Alytus i wykorzystania automatyki 1-fazowego SPZ. W takim przypadku sygnał uruchamiający automatykę SPZ jednocześnie powoduje otwarcie wyłącznika (CB) bocznikującego dławik uzmiemiający. Ponowne zamknięcie wyłącznika odbywa się z określoną zwłoką po czasie przerwy beznapięciowej SPZ.

Zastosowanie dławika uzmiemiającego wiąże się z opracowaniem koncepcji doboru zestawu odpowiednich zabezpieczeń oraz określeniem ich nastawień.

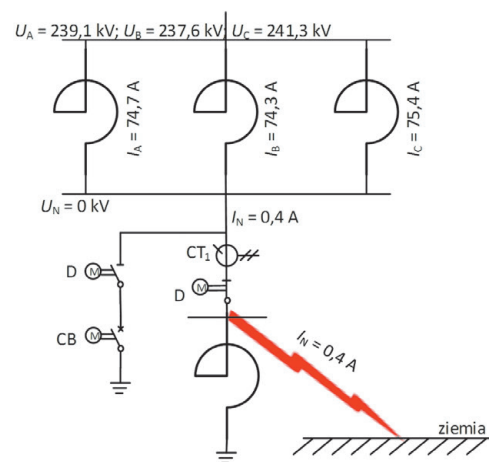
Problematyka zabezpieczenia dławików została opisana w technicznych raportach grup roboczych organizacji CIGRE [1] i IEEE [2], przy czym są to opracowania dotyczące dławików kompensacyjnych przyłączanych do linii lub szyn stacji. Na podstawie powyższych dokumentów można wymienić następujące funkcje zabezpieczeniowe stosowane w dławikach kompensacyjnych:

- zabezpieczenie różnicowe (fazowe) (87R)
- zabezpieczenie różnicowe obejmujące punkt neutralny dławika (87N)
- zabezpieczenie nadprądowe bezzwłoczne (50)
- zabezpieczenie nadprądowe zwłoczne (51)
- zabezpieczenie nadprądowe ziemnozwarciowe zwłoczne (51N)
- zabezpieczenie odległościowe (21)
- zabezpieczenie ziemnozwarciowe (pomiędzy kadzią a ziemią)
- zabezpieczenie nadprądowe składowej przeciwnej (67Q)
- zabezpieczenie od uszkodzenia wyłącznika (51BF)
- zabezpieczenie od zwarć międzyzwojowych (różne rozwiązania)
- zabezpieczenie od niepełnofazowego otwarcia wyłącznika
- zabezpieczenie Buchholza, zabezpieczenie od nagłego wzrostu ciśnienia (63).

Nie wszystkie z wymienionych zabezpieczeń powinny zostać zastosowane w przypadku dławika uzmiemiającego. Głównie ze względu na rodzaj dławika, w tym przypadku



Rys. 3. Część modelu analizowanej sieci 400 kV



Rys. 4. Wyniki uzyskane podczas zwarcia izolatora dławika uzmiemiającego z ziemią

wykonanego jako dławik powietrzny. Z drugiej strony decydować będzie również 1-fazowa budowa dławika. Niemniej posługując się dokumentami [1, 2], można wnioskować o sposobie zabezpieczenia dławika uzmiemiającego.

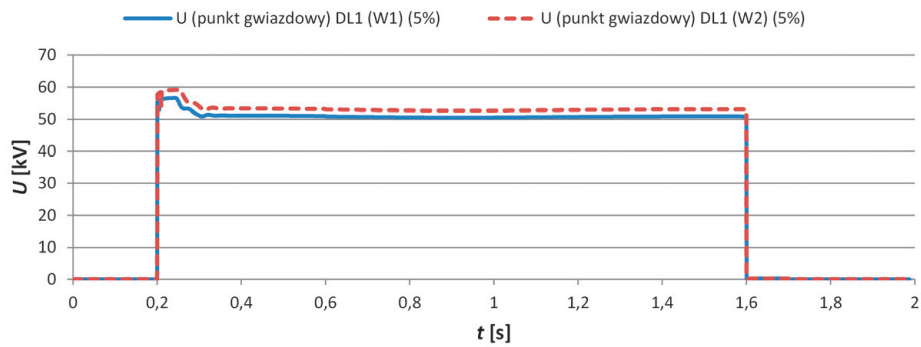
OSP w wstępnej fazie określił zestaw zabezpieczeń, które mają chronić dławik uzmiemiający:

- 51N – zabezpieczenie nadprądowo-zwłoczne, o charakterystyce niezależnej, dwustopniowe
- 50N – zabezpieczenie nadprądowo-bezzwłoczne
- 46 – zabezpieczenie nadprądowe zwłoczne składowej przeciwnej.

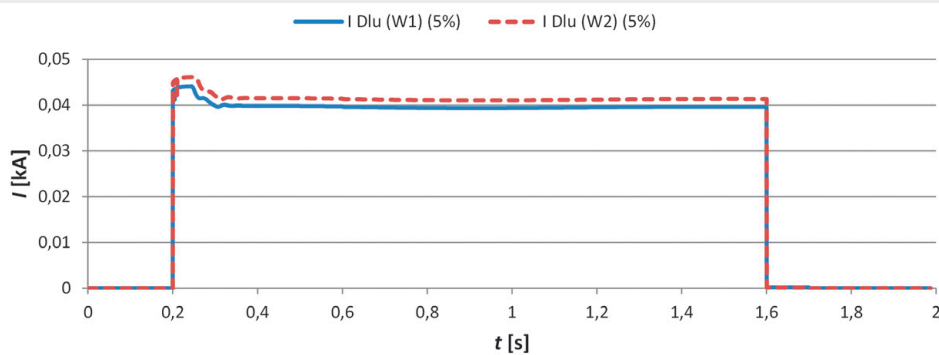
W tym zestawie zabezpieczeń należy zrezygnować z zabezpieczenia nadprądowego składowej przeciwnej, ze względu na brak możliwości zmierzenia składowej przeciwnej prądu (obiekt 1-fazowy). Pozostałe dwa zabezpieczenia zostały określone prawidłowo, przy czym kierowano się tu głównie ochroną dławika przed skutkami przetężeń. Na rys. 2 przedstawiono wstępne założenie układu zabezpieczenia dla dławika uzmiemiającego. Przyjęto również, że zasilanie zabezpieczeń powinno się odbywać z przekładnika prądowego CT₁ zainstalowanego po górnej stronie dławika uzmiemiającego. Zakładane dane znamionowe dławika uzmiemiającego decydują o nastawieniach

This is a supporting translation of the original text published in this issue of "Acta Energetica" on pages 42–49. When referring to the article please refer to the original text.

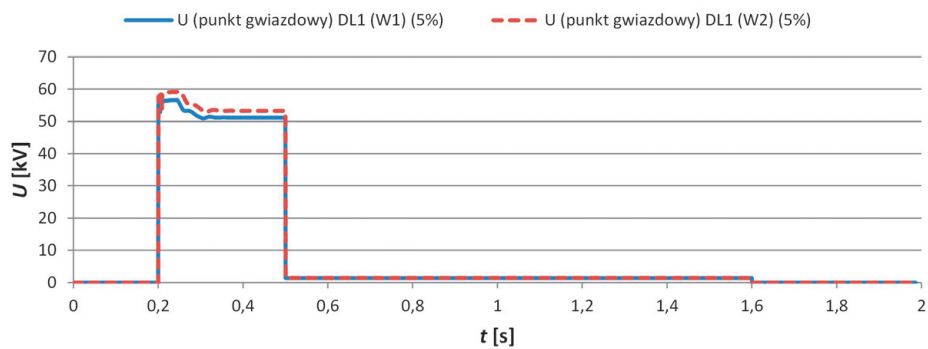
PL



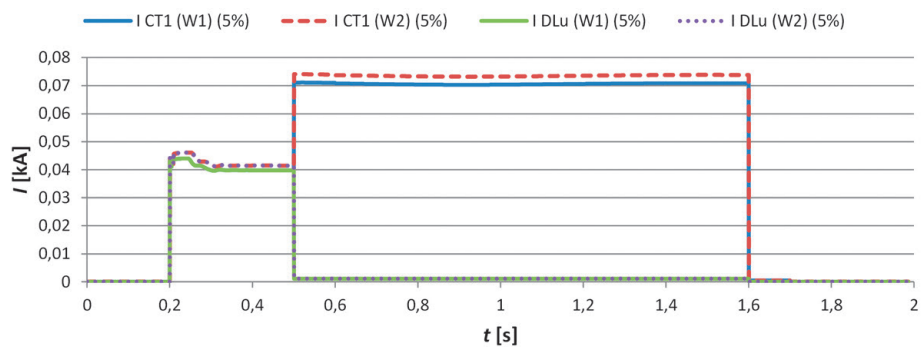
Rys. 5. Napięcie w punkcie gwiazdowym dławika kompensacyjnego; DL1 – dławik kompensacyjny przyłączony do toru I linii Elk Bis – Alytus po stronie stacji Elk Bis



Rys. 6. Prąd płynący przez dławik uziemiający; DLU – dławik uziemiający



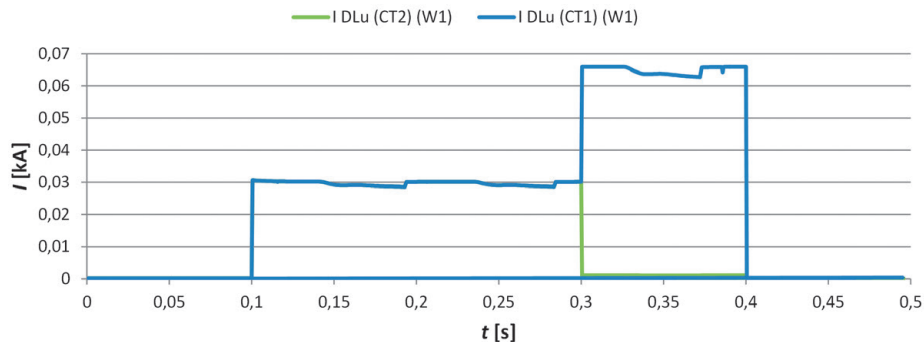
Rys. 7. Napięcie w punkcie gwiazdowym dławika kompensacyjnego; DL1 – dławik kompensacyjny przyłączony do toru I linii Elk Bis – Alytus po stronie stacji Elk Bis



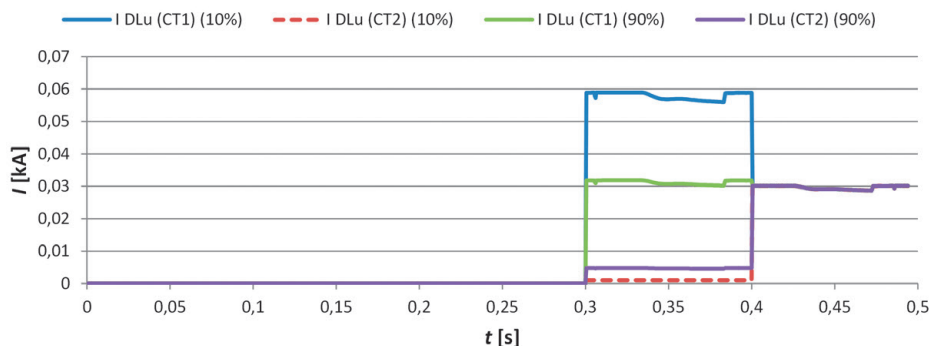
Rys. 8. Prąd płynący w dławiku uziemiającym (I_{DLU}) i prąd płynący przez przekładnik prądowy (I_{CT1})

This is a supporting translation of the original text published in this issue of "Acta Energetica" on pages 42–49. When referring to the article please refer to the original text.

PL



Rys. 9. Prąd płynący przed (CT1) i za (CT2) dławikiem uzimającym (DLu) w czasie zwarcia 1-fazowego na szynach dławika kompensacyjnego oraz zwarcia do ziemi na izolatorze dławika uzimającego



Rys. 10. Prąd płynący przed (CT1) i za (CT2) dławikiem uzimającym (DLu) w czasie zwarcia 1-fazowego na szynach dławika kompensacyjnego oraz zwarcia do ziemi w 10% i 90% długości uzwojenia dławika uzimającego (W1)

poszczególnych funkcji zabezpieczeniowych, które w tym przypadku zostały określone następująco:

- 51N – pierwszy stopień, prąd rozruchowy: 12 A ze zwłoką 120 s (prąd znamionowy ciągły dławika równy jest 10 A)
- 51N – drugi stopień, prąd rozruchowy: 65 A ze zwłoką 7 s (prąd znamionowy zwarcia dławika dla $t = 10$ s równy jest 65 A)
- 50N – prąd rozruchowy: 120 A (wartość skuteczna) (prąd znamionowy zwarcia równy jest 170 A – wartość szczytowa).

3. Model sieci

Analizy komputerowe przeprowadzono na modelu zrealizowanym w programie DIgSILENT PowerFactory®, którego część (najbliższe otoczenie rozważanej linii relacji Ełk Bis – Alytus) została przedstawiona na rys. 3.

Wybrane linie sieci 400 kV zamodelowano z wykorzystaniem rozmieszczenia geometrycznego przewodów względem siebie i względem ziemi, są to:

- dwutorowa linia relacji Ełk Bis – Alytus (U009, U010)
- dwutorowa linia relacji Ełk Bis – Łomża (E701, E702)
- dwutorowa linia relacji Łomża – Ostrołęka (E010, E011)
- linia relacji Łomża – Narew (E702).

Dzięki geometrycznemu modelowaniu powyższych linii otrzymuje się określoną asymetrię sieci w punkcie przyłączenia dławików kompensacyjnych (DL1 i DL2),

do których przyłączenie dławików uzimających jest rozważane. Asymetria ta widoczna jest również w stanie normalnym pracy sieci, gdzie występują różnice wartości napięć w poszczególnych fazach zasilających dławik kompensacyjny, a przez dławik uzimający płynie prąd około 0,2 A.

4. Detekcja zwarc wewnątrz dławika uzimającego

Model opisany w rozdziale 3 posłużył do analizy detekcji zwarc wewnątrz dławika uzimającego.

OSP przyjął, że podczas stanu normalnego systemu (bezzakłócenowego) dławik uzimający jest zbocznikowany przez wyłącznik. To oznacza, że przez dławik płynie bardzo mały prąd. Jeżeli w takim przypadku nastąpi uszkodzenie w dławiku uzimającym, to i tak sytuacja zasadniczo się nie zmieni, a proponowane zabezpieczenia nie wykryją uszkodzenia.

Rozważając przypadek, w którym wyłącznik bocznikujący jest stale otwarty, i zakładając jednocześnie zwarcie izolatora dławika uzimającego do ziemi, prąd płynący przez przekładnik wzrasta – co prawda – ponad dwukrotnie, ale w dalszym ciągu jest poniżej 1 A (rys. 4).

Powyższy przypadek zwarcia, ponieważ eliminuje z obwodu zwarcia impedancję dławika uzimającego, jest najbardziej znaczący pod kątem wartości prądu płynącego do ziemi. Przy innych zakłóceniach występujących w dławiku, np. zwarcu z ziemią uzwojenia, część impedancji

dławika będzie obecna w obwodzie zwarcia, przez co prąd płynący przez przekładnik będzie mniejszy. To pokazuje, że w normalnym stanie pracy sieci operator nie dowie się o wystąpieniu uszkodzenia w dławiku.

Większe wartości prądu należy spodziewać się w przypadku zakłóceń zewnętrznych. W pierwszym kroku rozważono sytuację aktualnie zakładaną przez OSP, w której wyłącznik bocznikujący otwierany jest podczas cyklu 1-fazowego SPZ. Przeprowadzono symulację, w której założono następującą sekwencję zdarzeń:

- 0,1 s – zwarcie 1-fazowe w 5% długości linii Ełk Bis – Alytus, od strony stacji Ełk Bis
- 0,2 s – otwarcie dwustronne linii Ełk Bis – Alytus oraz otwarcie wyłącznika bocznikującego dławik uzimający
- 0,6 s – przeminięcie zwarcia
- 1,6 s – załączenie obustronne linii Ełk Bis – Alytus
- 1,7 s – zamknięcie wyłącznika bocznikującego dławik uzimający.

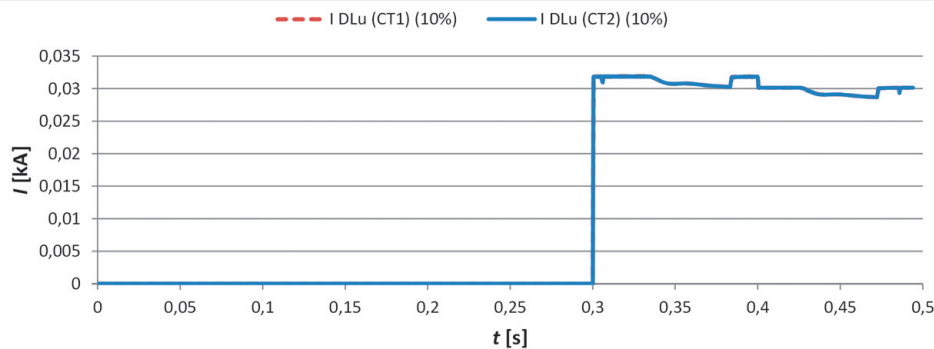
Ponadto wyniki uwzględniają dwa warianty pracy sieci:

- W1 – pracujące dławiki kompensacyjne i uzimione przez dławiki uzimające w stacji Alytus
- W2 – wyłączone dławiki kompensacyjne w stacji Alytus.

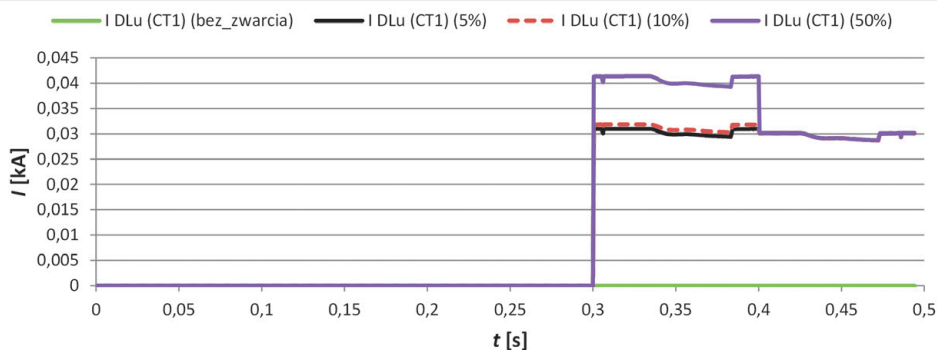
Otwarcie wyłącznika bocznikującego dławik uzimający powoduje wzrost napięcia w punkcie gwiazdowym do ok. 60 kV (rys. 5), po czym po 100 ms zmniejsza

This is a supporting translation of the original text published in this issue of "Acta Energetica" on pages 42–49. When referring to the article please refer to the original text.

PL



Rys. 11. Prąd płynący przed (CT1) i za (CT2) dławikiem uziemiającym (DLu) w czasie zwarcia 1-fazowego na szynach dławika kompensacyjnego oraz zwarcia międzyzwojowego z 10% zwartych zwojów (W1)



Rys. 12. Prąd płynący przed (CT1) i za (CT2) dławikiem uziemiającym (DLu) w czasie zwarcia 1-fazowego na szynach dławika kompensacyjnego oraz zwarcia międzyzwojowego z różną liczbą zwartych zwojów (W1)

się ono do ok. 50 kV. Z kolei prąd płynący przez dławik uziemiający kształtuje się na poziomie ok. 40 A (rys. 6). Wartość prądu oraz czas jego przepływu nie powodują pobudzenia zabezpieczeń dławika uziemiającego. Można zatem przyjąć, że nastawienia zabezpieczeń w tym przypadku są dobrane właściwie, ponieważ nie powinny one działać podczas zakłóceń zewnętrznych. Rozważania dowodzą, że jedyny przypadek, kiedy podczas uszkodzenia dławika uziemiającego popłynie przez niego stosunkowo duży prąd, to wystąpienie jednocześnie 1-fazowego zwarcia w linii Elk Bis – Alytus, co uruchomi automatykę 1-fazowego SPZ i otworzy wyłącznik bocznikujący dławik uziemiający, oraz wystąpienie zakłócenia w dławiku uziemiającym. Poniżej zamieszczono wyniki przedstawiające taki scenariusz zdarzeń, przy czym założono tu następującą sekwencję:

- 0,1 s – zwarcie 1-fazowe w 5% długości linii Elk Bis – Alytus, od strony stacji Elk Bis
- 0,2 s – otwarcie dwustronne linii Elk Bis – Alytus oraz otwarcie wyłącznika bocznikującego dławik uziemiający
- 0,5 s – zwarcie izolatora dławika uziemiającego do ziemi, przez rezystancję 20 Ω
- 0,6 s – przeminiecie zwarcia w linii Elk Bis – Alytus
- 1,6 s – załączenie obustronne linii Elk Bis – Alytus
- 1,7 s – zamknięcie wyłącznika bocznikującego dławik uziemiający.

W tym przypadku napięcie w punkcie gwiazdowym dławika kompensacyjnego (rys. 7) do chwili wystąpienia zwarcia w dławiku uziemiającym ($t = 0,5$ s) ma taki sam przebieg jak w poprzedniej symulacji (rys. 5). Od chwili pojawienia się zakłócenia w dławiku uziemiającym napięcie zmniejsza się do wartości bliskiej zero, co wynika z modelowania zwarcia w dławiku przez rezystancję przejścia równą 20 Ω.

Z kolei prąd płynący przez przekładnik prądowy (rys. 8) znacząco zwiększa swoją wartość i kształtuje się na poziomie ok. 70 A. Jest to wartość większa od drugiego stopnia nastawienia zabezpieczenia 51N (65 A), ale czas utrzymania się takiej wartości prądu ograniczony jest czasem przerwy SPZ. Zakładając nawet, że uszkodzenie w dławiku powstało przed zwarcie zewnętrznym, to czas płynięcia prądu przekraczającego wartość progową zabezpieczenia 51N nie będzie większy niż 2 s.

Zaproponowany zestaw zabezpieczeń chroni dławik uziemiający przed nadmiernym prądem, ale nie jest w stanie wykryć jego uszkodzenia i poinformować o tym fakcie operatora. Zaproponowano zatem rozszerzenie zestawu zabezpieczeń o funkcję różnicowoprądową, która porównuje prąd płynący przed i za dławikiem uziemiającym. Przeprowadzono weryfikację takiego założenia poprzez symulowanie wystąpienia następujących zakłóceń:

- zwarcie izolatora dławika uziemiającego do ziemi

- zwarcie do ziemi uzwojenia dławika uziemiającego
- zwarcie międzyzwojowe w uzwojeniu dławika uziemiającego.

Jednocześnie zakładano każdorazowo wystąpienie zakłócenia zewnętrznego powodującego powstanie dużej asymetrii w sieci.

4.1. Zwarcie izolatora dławika uziemiającego do ziemi

W przypadku analizy zwarcia izolatora dławika uziemiającego do ziemi założono, że wyłącznik bocznikujący dławik jest otwarty. Symulowano następującą sekwencję zdarzeń:

- 0,1 s – zwarcie 1-fazowe na szynach dławika kompensacyjnego
- 0,3 s – zwarcie izolatora dławika uziemiającego do ziemi
- 0,4 s – przeminiecie zwarcia na szynach dławika kompensacyjnego.

Na rys. 9 przedstawiono przebieg prądu płynącego przed i za dławikiem uziemiającym. Z rysunku tego wynika, że w przetworzonym wariancie (W1) zwarcie 1-fazowe na szynach dławika kompensacyjnego powoduje przepływ prądu przez dławik uziemiający na poziomie ok. 30 A (przedział czasu 0,1–0,3 s). Pojawienie się dodatkowego zwarcia do ziemi na izolatorze dławika uziemiającego (przedział czasu 0,3–0,4 s) powoduje, że przez ten dławik zaczyna płynąć prąd bliski zero, a przed dławikiem prąd (płynący *de facto* do ziemi) wzrasta do ok. 65 A, czyli do wartości prądu znamionowego

This is a supporting translation of the original text published in this issue of "Acta Energetica" on pages 42–49. When referring to the article please refer to the original text.

PL

zwarciego 10-sekundowego dławika uzemiającego. Należy tu zauważyć, że wartość tego prądu wynika przede wszystkim ze zwarcia na szynach dławika kompensacyjnego, które powinno zostać wykryte przez zabezpieczenia tego dławika. W przypadku kiedy zwarcie na szynach dławika kompensacyjnego przemija (przedział czasu 0,4–0,5 s), a zwarcie do ziemi na izolatorze dławika uzemiającego pozostaje, wówczas prąd doziemienia maleje praktycznie do zera. Z prezentowanej symulacji wynika, że do jednoznacznego wykrycia zakłócenia powstałego w dławiku uzemiającym należałoby wykorzystać zabezpieczenie różnicowe mierzące prąd przed i za tym dławikiem. Przy czym możliwość wykrycia zakłócenia wewnętrznego byłaby możliwa tylko w przypadku wystąpienia zakłócenia asymetrycznego zewnętrznego.

4.2. Zwarcie do ziemi uzwojenia dławika uzemiającego

Kolejnym analizowanym zakłóceniem jest zwarcie do ziemi uzwojenia dławika uzemiającego. Symulowano zwarcie w trzech różnych długościach uzwojenia dławika uzemiającego: 10%, 50% i 90%. Kolejność zdarzeń w symulacji jest następująca:

- 0,1 s – zwarcie do ziemi uzwojenia dławika uzemiającego
- 0,2 s – zwarcie 1-fazowe na zaciskach dławika kompensacyjnego
- 0,3 s – otwarcie wyłącznika bocznikującego dławik uzemiający
- 0,4 s – przemińnięcie zwarcia do ziemi uzwojenia dławika uzemiającego.

Analizy przeprowadzono dla wariantu W1, w którym załączone są dławiki kompensacyjne w stacji Alytus.

Na rys. 10 przedstawiono przebiegi prądu płynącego przed (I DLu (CT1)) i za (I DLu (CT2)) dławikiem uzemiającym.

Z przebiegów tych wynika, że pojawienie się jedynie zwarcia do ziemi uzwojenia dławika uzemiającego nie powoduje przepływu prądu w tym dławiku (przedział czasu 0,1–0,2 s). Dopiero zwarcie 1-fazowe na szynach dławika kompensacyjnego i otwarcie wyłącznika bocznikującego powoduje przepływ prądu przez dławik uzemiający (przedział czasu 0,3–0,4 s). W tym przypadku na podstawie różnicy prądu mierzonego przez przekładnik CT₁ i CT₂ można wnioskować o zakłóceniu występującym w tym dławiku. Należy przy tym pamiętać, że jest to możliwe jedynie wówczas, gdy dodatkowo wystąpi zakłócenie zewnętrzne powodujące wystąpienie asymetrii w sieci.

4.3. Zwarcie międzyzwojowe w uzwojeniu dławika uzemiającego

Ostatnim potencjalnym zakłóceniem mogącym wystąpić w dławiku uzemiającym jest zwarcie międzyzwojowe. Przeanalizowano zwarcie międzyzwojowe obejmujące: 5%, 10%, 50% zwojów. Kolejność zdarzeń przyjętych w symulacji jest następująca:

- 0,1 s – zwarcie międzyzwojowe w dławiku uzemiającym
- 0,2 s – zwarcie 1-fazowe na zaciskach dławika kompensacyjnego
- 0,3 s – otwarcie wyłącznika bocznikującego dławik uzemiający
- 0,4 s – przemińnięcie zwarcia międzyzwojowego w dławiku uzemiającym.

Na rys. 11 przedstawiono prąd płynący przed i za dławikiem uzemiającym. Z przebiegów wynika, że nie ma możliwości wykrycia zwarcia międzyzwojowego z wykorzystaniem różnicy prądów mierzonych przed i za dławikiem uzemiającym.

W zależności od liczby zwartych zwojów prąd płynący przez dławik uzemiający będzie

wzrastał od wartości ok. 30 A przy małej liczbie zwartych zwojów, do ok. 65 A przy zwarciu całego dławika (rys. 12).

5. Podsumowanie

Zaproponowany na wstępie układ zabezpieczeń dławika uzemiającego jest wystarczający ze względu na jego ochronę przed skutkami przetężeń. Nie daje on jednak możliwości detekcji uszkodzeń powstałych w dławiku. Zaproponowano zatem rozszerzenie zestawu zabezpieczeń o funkcję różnicowoprądową, która jest w stanie wykryć większość zakłóceń powstałych w dławiku (oprócz zwarcń międzyzwojowych).

Bibliografia

1. CIGRE Working Group B5.37, Protection, Monitoring and Control of Shunt Reactors, 2013.
2. IEEE Power Engineering Society, IEEE Guide for the Protection of Shunt Reactors, 2007.
3. Lubośny Z., Klucznik J., Dobrzyński K., Problems of Selecting Protection for Shunt Reactors Working in Extra-High Voltage Grids, *Acta Energetica* 2016, No. 2/27, s. 139–143.
4. Klucznik J. i in., Nonlinear secondary arc model use for evaluation of single pole auto-reclosing effectiveness, *COMPTEL – The International Journal For Computation And Mathematics In Electrical And Electronic Engineering* 2015, t. 34, nr 3, s. 647–656.
5. <http://www.litpol-link.com/>.
6. Zajczyk R. i in., Analiza potencjalnych zagrożeń dla pracy BtB w wyniku zakłóceń w sieci polskiej wraz z opisem możliwych działań zaradczych [niepublikowany, na zlecenie PSE SA], 2016.

This is a supporting translation of the original text published in this issue of "Acta Energetica" on pages 42–49. When referring to the article please refer to the original text.

PL

Krzysztof Dobrzyński

dr inż.

Politechnika Gdańska

e-mail: krzysztof.dobrzyński@pg.gda.pl

Ukończył studia na Wydziale Elektrycznym Politechniki Warszawskiej (1999). Stopień doktora nauk technicznych uzyskał na Wydziale Elektrotechniki i Automatyki Politechniki Gdańskiej (2012). Pracuje jako adiunkt w Katedrze Elektroenergetyki Politechniki Gdańskiej. Obszar jego zainteresowań to: współpraca źródeł generacji rozproszonej z systemem elektroenergetycznym, modelowanie matematyczne, sterowanie systemem elektroenergetycznym, instalacje inteligentne w budynkach.

Jacek Klucznik

dr inż.

Politechnika Gdańska

e-mail: jacek.klucznik@pg.gda.pl

Studia magisterskie ukończył na Wydziale Elektrotechniki i Automatyki Politechniki Gdańskiej (1999). Pięć lat później uzyskał stopień doktorski. Pracuje jako adiunkt w Katedrze Elektroenergetyki swojej macierzystej uczelni. Zajmuje się układami regulacji generatorów i turbin, energetyką wiatrową oraz elektroenergetyczną automatyką zabezpieczeniową.

Zbigniew Lubośny

prof. dr hab. inż.

Politechnika Gdańska

e-mail: zbigniew.lubosny@pg.gda.pl

Wychowanek Politechniki Gdańskiej. Od 2004 roku jest profesorem nauk technicznych. Obecnie zatrudniony na swojej macierzystej uczelni na stanowisku profesora zwyczajnego. Obszar jego zainteresowań to: modelowanie matematyczne, stabilność systemu elektroenergetycznego, sterowanie systemem elektroenergetycznym, zastosowanie sztucznej inteligencji do sterowania systemem elektroenergetycznym, modelowanie i sterowanie elektrowniami wiatrowymi. Redaktor naczelny *Acta Energetica*.

Stanisław Czapp

dr hab. inż.

Politechnika Gdańska

e-mail: stanislaw.czapp@pg.gda.pl

Absolwent Politechniki Gdańskiej (1996). Jest pracownikiem Wydziału Elektrotechniki i Automatyki swojej macierzystej uczelni. Jego działalność naukowa jest związana z instalacjami i urządzeniami elektrycznymi, oświetleniem elektrycznym, a szczególnie ochroną przed porażeniem prądem elektrycznym. Autor lub współautor wielu artykułów i referatów oraz opracowań niepublikowanych o charakterze projektów, ekspertyz i opinii. Jest rzeczoznawcą SEP w dziale 08 Instalacje i urządzenia elektryczne.