

Start-up of a power unit of a thermal power plant auxiliary system with supply from a hydropower plant

Authors

Zbigniew Lubošny
Krzysztof Dobrzyński
Jacek Klucznik

Keywords

blackout, power system restoration, auxiliary systems

Abstract

This article discusses the issues related to a power unit of a thermal power plant start-up with the use of a hydropower plant. Hydropower plant can supply and will enable start-up of auxiliary equipment in a power unit of a thermal power plant. Due to high capacity of auxiliary drives, start-up of auxiliaries in a thermal power plant after blackout (and boiler shutdown) is not possible from emergency energy sources in the power plant. In such a case an external electricity source with high capacity is required.

DOI: 10.12736/issn.2300-3022.2013304

1. Introduction

Connection of the National Power System (Krajowy System Energetyczny, NPS) to the UCPTe system (then Union for the Coordination of the Transmission of Electricity – UCTE, currently European Network of Transmission Systems Operators for Electricity – ENTSOE) on 18 October 1995 required from the national system and the systems of Central Europe, which then formed the CENTERL system, many efforts to adapt national systems for automation, control and procedures to the ones applied and used in the UCPTe system. At that time, strong emphasis was placed on development of procedures and preparation of automation systems for protection and restoration of the power system. Those requirements are still applicable today. UCPTe (ENTSOE) requirements impose the obligation to develop, among other things, the plans for protection and restoration of the power system after a major system failure, for example a blackout, in cooperating power systems. As part of those plans the following can be done in the NPS:

- switching to house load operation mode of power units in base-load power plants
- start-up of thermal power plants with the use of power plants which are able to self-start-up (mainly hydropower plants).

Ability of power units in the NPS to participate in protection and restoration of the power system is illustrated in Fig. 1. In the case of thermal power plants it shows the number of units which are able to switch to house load operation mode (green) in the power plant, the number of units which can operate in island mode in the power plant, i.e. an island consisting of several generating units and loads (magenta). Ability of those generating unit

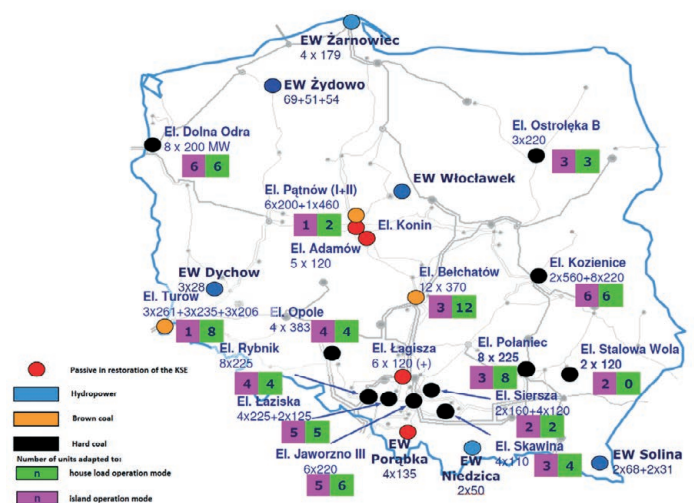


Fig. 1. NPS base-load power plants in the system protection and restoration plan (PSE-Operator)

to work in a particular operating mode is determined mainly by turbine and boiler control systems.

The process of the power system restoration may be carried out in several ways, which is dependent on the condition of system operation resulting from a system failure and implemented protection operations of the system.

Blackout, which is the least troublesome for the system, may apply to a subsystem. One example is the failure in Szczecin (8 April 2008). In this case, the units in base-load power plants, at least most of them, remain in operation with the grid and loads.

Restoration of voltage in a subsystem with blackout is then a relatively simple task involving connecting of deactivated lines and loads to the healthy part of the power system.

A major system failure may be defined as a failure which has made the majority (or all) units switch to house load operation mode. This means that blackout applies to the entire system or a significant part of it. However, because in this case the units in thermal power plants operate (for auxiliary purposes), it is possible to reconstruct the system by connecting power lines and transformers (establishing transmission and distribution grid) and further by sequential connection of loads (restoration of power in subsystems).

An extreme case of major system failure is blackout in the system and shutdown of units in (all) thermal power plants. Power units in thermal power plants are not able to start on their own after shutdown, which is not understood here as switching to auxiliaries supply, but as stopping of the turbine and shutdown of the boiler. This lack of self-starting ability is a result of the fact that start-up of power units requires powering up of large auxiliary loads like feed water pump, cooling water pump, induced and forced draught fans, and coal mills. Only when those (and other minor) devices are energized is it possible to turn on the boiler, then start the steam turbine, excite the synchronous generator, then possibly synchronize generator to the grid and feed power to the grid (load). Local self-starting electricity sources in power plants are back-up generators powered by Diesel engines with low power compared to the aforementioned drives. They are not able to ensure that large pumps, fans and coal mills are started up.

This means that a self-starting electricity source with high power is required to start a deactivated unit in a thermal power plant. Hydropower plants with sufficient power rating are such sources in power systems. As shown in Fig. 1, in the NPS there are six such power plants, i.e. plants able to start a power unit in a thermal power plant and thus provided for this purpose in the power system protection and restoration plan, including two pumped-storage power plants (Żarnowiec and Żydowo). This number is not satisfactory.

An increase in the number of hydropower plants which may not only start power units in thermal power plants, but also simultaneously and quickly join the subsystem restoration process (supply for consumers) should be desired. We can imagine that directly after blackout the connections between hydropower plants in Włocławek, Żarnowiec, Żydowo and the hydropower plant considered for the Vistula (Wisła) River below Włocławek are established. Those sources would be able to supply at least some loads in the area in which they are located. At the same time, start-up lines to power plants in Pątnów, Pelplin (in plans), Ostrołęka could be created. Operation of those plants as part of the reconstructed grid with supply for some energy consumers may be beneficial due to consumption of reactive power by loads. Consumption of reactive power by loads would compensate, at least in part, the power generated in excess by high voltage power lines, i.e. with rated voltage of 220 kV and 400 kV. The process of start-up of a power unit in a thermal power plant from a hydropower plant is shown below as an example of efficiency of the basic stage of system restoration after blackout,

i.e. after shutdown of a thermal power plant (including the boiler). The example refers to a power unit in Pątnów Power Plant and Włocławek Hydropower Plant [2, 3, 7]. Practically, it also refers to the hydropower plant considered on the Vistula (Wisła) River, below the dam in Włocławek. The difference in the case of start-up in the considered hydropower plant is small, and it applies only to a part of the transmission line, i.e. the 110 kV line between Włocławek Azoty Power Station and Włocławek Hydropower Plant (in the presented variant) or the considered hydropower plant.

2. Structure of starting system for the power unit in Pątnów Power Plant

Włocławek Hydropower Plant is planned for Pątnów Power Plant as a black start source. The argument for such a solution is a relatively small distance of Włocławek Hydropower Plant, i.e. approx. 90 km, from Pątnów Power Plants, and easy separation of the start-up line. It should be noted that in view of high reactive power generated by power lines, construction of start-up lines composed of lines with rated voltage of 400 kV and 220 kV should be avoided, as far as possible.

The fundamental problem associated with black start of a thermal power plant is the supply of auxiliary equipment and systems, including activation of the largest – in terms of power – motors of auxiliary equipment. The main risk associated with starting of those devices is the possible stall of asynchronous motors (such motors are usually used in this case) as a result of an extensive decrease in voltage, caused by the flow of inrush motors current through the start-up line. Activation of that auxiliary equipment (pumps, fans and coal mills) practically ensures the ability to start the power unit, and thus the plant itself.

Pątnów Power Plant is a condensing plant with a cooling circuit using water from nearby Goślawickie Lake. It consists of six power units with a capacity of 200 MW (Pątnów I) and a power unit with a capacity of 474 MW (Pątnów II). The power unit in Pątnów I Power Plant consists of the following equipment [7]:

- OP-650b boiler manufactured by RAFAKO fuelled by brown coal
- TK200 steam turbine manufactured by Zamech. It is a 3-stage impulse turbine with reheating and regeneration system. The turbine is equipped with two steam condensers, two injector sets supplied with steam from deaerator with a working pressure of 6 ata
- TWW-200-2 Dolmel synchronous generator with the following rating: $S_n = 235$ MVA, $P_n = 200$ MW, $U_n = 15.75$ kV, $I_n = 8625$ A, $\cos\varphi_n = 0.85$, $f_n = 50$ Hz, $n_n = 3000$ rpm
- TW240000/220 3-phase, 2-winding unit transformer with the following rating: $S_n = 240$ MVA, $U_{nG} = 250$ kV, $U_{nD} = 15.75$ kV, $I_{nG} = 554$ A, $I_{nD} = 8798$ A, $u_k = 15.5\%$, connection group Yd11
- auxiliary TRDT 20000/20 3-phase, 3-winding transformer with tap changer and the following rating: $S_n = 20/10/10$ MVA, $U_n = 15.75/6 \cdot 0.2625/6.3/6.3$ kV, $u_{kGDI} = 7.62\%$, $u_{kGDII} = 7.3\%$, $u_{kDD} = 19.05\%$.

In addition to the equipment listed above the unit includes auxiliary equipment, such as pumps, fans, coal mills and others. They are driven by electric motors powered from unit substations with

a voltage of 6 kV and 0.4 kV. The 6 kV auxiliary substation is divided and consists of two sections, PATRA6 and PATRB6 (acc. to designations in Fig. 2) for unit no. 6. Its basic power supply comes from an auxiliary transformer (TZ6), with back-up power supply from a common substation in the plant (PATPR2). The 0.4 kV auxiliary substation is also divided into two sections, supplied separately from the 6 kV using two 6/0.4 kV/kV transformers with rated power of 800 kVA each.

The start-up line to the common substation in the plant (PATPR2) in the direction of Włocławek Hydropower Plant consists of the following (Fig. 2):

- TR3 transformer connecting busbars with a voltage of 6 kV and 10 kV. That transformer is plugged in the third winding of AT autotransformer connecting 220 kV and 110 kV busbars in the substation of Pałtów Power Plant
- AT autotransformer (at the moment of start-up the circuit breaker in the transformer bay of the 110 kV substation of this transformer is open)
- Pałtów - Włocławek Azoty power line with a rated voltage of 220 kV and a length of 75 km.
- WLA-AT2 autotransformer in Włocławek Azoty substation connecting 220 kV and 110 kV busbars
- Włocławek Azoty - Włocławek Wschód power line with a rated voltage of 110 kV and a length of 18 km
- T3 unit transformer in Włocławek Wschód substation connecting 110 kV and 10 kV busbars (busbars in duo-unit of Włocławek Hydropower Plant).

The power source of the auxiliary system in Pałtów Power Plant during its restart after blackout consists of two hydroelectric sets

in Włocławek Power Plant (which constitute the aforementioned duo-unit). The hydroelectric set consists of [7]:

- PŁ-661-W-800 Kaplan turbine with the following rating:
 $P_n = 27.8 \text{ MW}$, $H_{nom} = 10.5 \text{ m}$, $\Delta H = 5.22 - 12.7 \text{ m}$, $n_n = 57.7 \text{ rpm}$, $n_{speed} = 130 \text{ rpm}$, $Q_n = 365 \text{ m}^3/\text{s}$
- EGRK-150 turbine power and angular speed control system. The system controls the opening of the wicket gate and position of rotor blades
- synchronous generator with the following rating:
 $S_n = 31.8 \text{ MVA}$, $U_n = 10.5 \text{ kV}$, $I_n = 1750 \text{ A}$, $\cos\varphi_n = 0.85$, $f_n = 50 \text{ Hz}$, $n_n = 57.7 \text{ rpm}$, $U_{wn} = 260 \text{ V}$, $I_{wn} = 1390 \text{ A}$, $T_m = 6.5 \text{ s}$
- Excitation system and voltage control system consisting of DC exciter with a power of 450 kW and RNGT-51 transductor voltage controller
- 3-phase, 2-winding unit transformer with the following rating:
 $S_n = 63.5 \text{ MVA}$, $U_{nG} = 121 \text{ kV}$, $U_{nD} = 10.5 \text{ kV}$, $u_k = 10.5\%$, connection group Yd11.

The start-up line connecting power units in Włocławek Hydropower Plant and Pałtów Power Plant – in accordance with the data presented in the previous chapter – consists of power lines (overhead, cables and busbars) with a rated voltage of 220 kV, 110 kV, 6 kV and the transformers coupling those busbars and lines. Fig. 2 shows the diagram of the start-up line with the adjacent NPS components. In this figure, unit no. 5 of the power plant and auxiliary unit no. 6 are connected for operation. The synchronous generator of unit no. 6 is turned off. Fig. 3 shows the separate start-up line before connection of large auxiliary motors of unit no. 6. Only minor loads supplied from auxiliary busbars of unit no. 6 are connected.

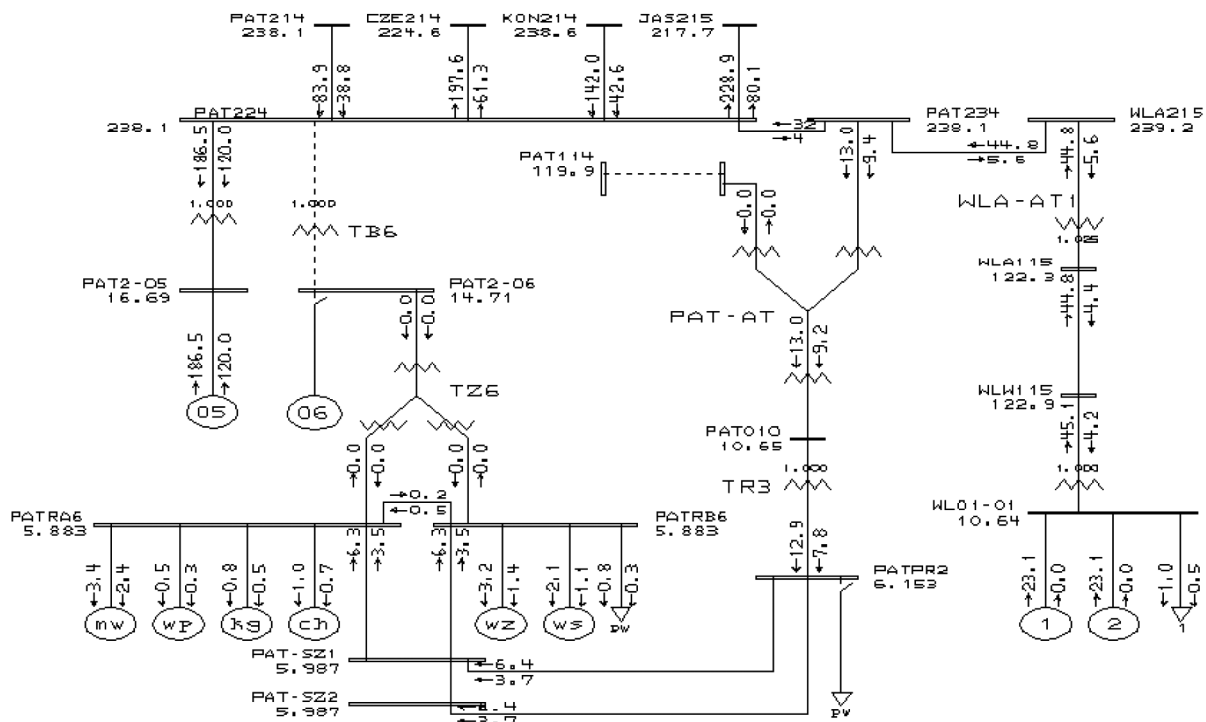


Fig. 2. Diagram of supply line for auxiliary equipment in unit no. 6 of Pałtów I Power Plant and Włocławek Hydropower Plant. An example distribution of power for connection of the starting system to the power system

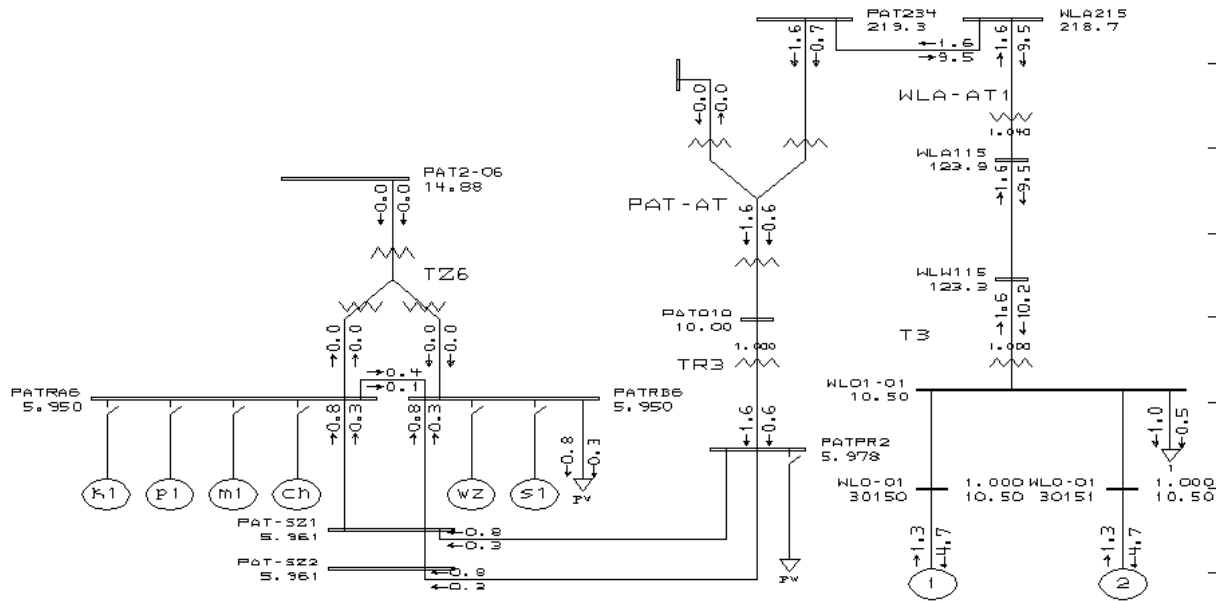


Fig. 3. Diagram of supply circuit for auxiliary equipment in unit no. 6 of Pałnów I Power Plant and Włocławek Hydropower Plant. Status before start-up of motors of auxiliary equipment

3. Start-up sequence of auxiliary equipment

The system experiment [2, 3], as well as studies using a mathematical model [7] consisted of the following: activation of hydro-electric sets of Włocławek Hydropower Plant, configuration of start-up line, sequential start of auxiliary equipment in unit no. 6 of Pałnów I Power Plant, activation of the unit in the power plant, synchronisation of the unit with the power system and switching of auxiliary power supply of the unit from the 200 MW generator tap.

Activation of duo-unit of Włocławek Power Plant consisted of:

- start-up of HZ4 hydrogenerator with auxiliary supply from a Diesel unit
- 0.4 kV auxiliary supply of “starting” duo-unit (hydrogenerators HZ1, HZ2) from hydrogenerator HZ4
- start-up of HZ1 and HZ2 hydrogenerators (duo unit)
- switching the duo-unit to the separate start-up line.

Those actions lead to energizing to the common substation of Pałnów Power Plant (PATPR2) and further to energizing busbars of auxiliary substation PATRA6 and PATRB6.

The voltage value on auxiliary substation PATRA6 and PATRB6 busbars was 6 kV, whereas the voltage on duo-unit busbars was equal to rated voltage, i.e. 10.5 kV.

Then, auxiliary equipment in unit no. 6 of Pałnów Power Plant was activated in sequence by starting asynchronous motors in the following order:

- | | |
|-----------------------------|----------------------|
| 1. Cooling water pump no. 8 | $P_n = 1000$ kW [ch] |
| 2. Main condensate pump 6A | $P_n = 250$ kW [k1] |
| 3. Slurry pump | $P_n = 250$ kW [k2] |
| 4. Feed water pump 6C | $P_n = 3150$ kW [wz] |

- | | |
|----------------------------|------------------------|
| 5. Main condensate pump 6B | $P_n = 250$ kW [k3] |
| 6. Exhaust fan 6A | $P_n = 700$ kW [s1] |
| 7. Exhaust fan 6C | $P_n = 700$ kW [s2] |
| 8. Forced draught fan 6A | $P_n = 500$ kW [p1] |
| 9. Forced draught fan 6A | $P_n = 500$ kW [p2] |
| 10. Coal mill 6A | $P_n = 430$ kW [m1] |
| 11. Coal mill 6B | $P_n = 430$ kW [m2] |
| 12. Coal mill 6C | $P_n = 430$ kW [m3] |
| Total: | $\Sigma P_n = 8690$ kW |

The sequence of the above-mentioned steps and the overall active power consumption by auxiliary equipment in unit no. 6 of Pałnów Power Plant are shown in Fig. 4. It should be noted that at each stage of start-up the overall power consumed by the connected equipment is lower than the total of active power rating of that equipment, which is due to its operation under partial load. The start-up itself is also in the form of idling (fans and mills) or partial load (pumps).

The selected parameters characterising the start-up process for auxiliary motors are shown in Tab. 1. The data and Fig. 4 indicate that mills and fans are characterised by the longest starting time T_r . In addition, the highest drop of voltage ΔU occurs at start-up of the device with the highest power rating, i.e. feed water pump. This means that the motor of the feed water pump is the element most vulnerable to stalling.

The next (and last) operation carried out during the system experiment is synchronous generator excitation and its synchronization with the grid. Once the above-mentioned operations are complete, the auxiliary substation is switched to basic power supply, i.e. from the synchronous generator by the auxiliary transformer of unit no. 6.

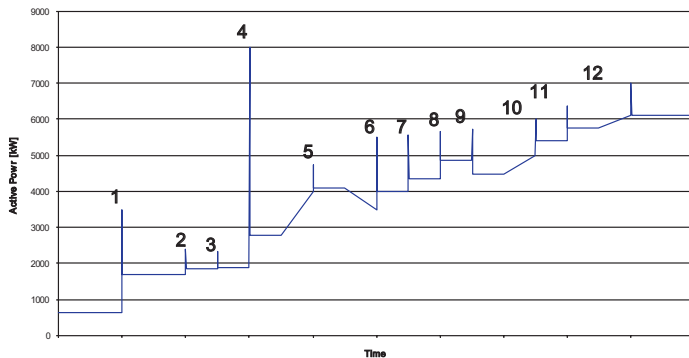


Fig. 4. Start-up of auxiliary equipment and the overall active power consumed by auxiliary equipment in unit no. 6 during its start-up (numbering of connected equipment in accordance with the list shown above)

Device	P_n [kW]	P_{max} [kW]	ΔU [as above]	I_{max} [kA]	T_r [s]
Cooling water pump	1000	2460	0.15	0.65	4.1
Main condensate pump	250	650	0.05	0.15	1.3
Slurry pump	250	650	0.05	0.22	1.3
Feed water pump	3150	6350	0.29	1.92	7
Main condensate pump	250	610	0.04	0.28	1.3
Exhaust fan	700	2060	0.12	0.54	32
Forced draught fan	500	1050	0.07	0.29	7.5
Coal mill	430	860	0.06	0.22	49

Tab. 1. Selected parameters that characterise start-up of auxiliary motors

The success of the above confirms that it is possible to start the power unit of the thermal power plant, and therefore to start the entire fossil fuel power plant (the other units in the power plant are started from the first activated unit) from the hydroelectric power plant through the transmission line.

4. Conclusions

Based on the considerations above we can formulate the following observation. Development of the hydropower sector in Poland in the form of large (relatively large) hydropower plants is justified (in addition to many other known and compelling reasons) because of the security of the power system operation (energy security). The self-starting capability of hydropower plants should not be underestimated. It is a value which is revealed in fact, but also unfortunately, only in cases of a major

system failure. Unfortunately, many years of operation of the National Power System without large (national) scale blackout, successfully inhibits the ability (or desire) to invest in such facilities and solutions. The initiative of ENERGA SA regarding the construction of a hydropower plant on the Vistula (Wisła) River is fortunately changing that way of thinking.

REFERENCES

1. Bajorek Z., Teoria maszyn elektrycznych [Theory of electric machines], Warsaw 1982.
2. Study of operation of Włocławek Hydropower Plant on a separate grid. Report of the experiment on start-up of a 200 MW power unit no. 6 in Pątnów Power Plant with auxiliary supply from Włocławek Hydropower Plant of 20/06/1998, Institute of Power Engineering Gdańsk Division, Control Department, Warsaw 1998.
3. Study of rotational speed and voltage control system for hydroelectric sets in Włocławek Hydropower Plant in order to determine their technical condition, scope of upgrading and capability of operation on the separate grid in the case of blackout in the KSE (NPS), Institute of Power Engineering Gdańsk Division, Department of Electrohydraulic Equipment, Warsaw 1998.
4. Kundur P., Power System Stability and Control, McGraw-Hill, Inc., New York 1993.
5. Laudyn D., Pawlik M., Strzelczyk F., Elektrownie [Power plants], Warsaw 1995.
6. Pawlik M., Skierski J., Układy i urządzenia potrzeb własnych elektrowni [Auxiliary systems and equipment in power plants], Warsaw 1986.
7. Szczerba Z., Lubośny Z., Zajczyk R., Modelowanie rozruchów urządzeń potrzeb własnych bloków elektrowni ciepłych przy zasilaniu z odległych elektrowni wodnych w programie PSLF [Modelling of start-up of auxiliary equipment of power units in thermal power plants with supply from distant hydropower plants in the PSLF program]. Stage II. Analiza rozruchu układu potrzeb własnych i toru przesyłowego elektrownia wodna Włocławek – elektrownia Pątnów [Analysis of start-up of the auxiliary system and Włocławek Hydropower Plant – Pątnów Power Plant transmission line], Unipol s.c., March 2000.
8. Skierski J., Nieliniowy model matematyczny silnika asynchronicznego do analizy stanów przejściowych w trakcie wybiegu grupowego [Non-linear mathematical model of asynchronous motor for analysis of transients during group operation], Przegląd Elektrotechniczny 1978, R LIV, z. 2.
9. Śliwiński T., Głowacki A., Parametry rozruchowe silników indukcyjnych [Start-up parameters of induction motors], Warsaw 1982.
10. Janiczek R., Eksploatacja elektrowni ciepłych [Operation of thermal power stations], Warsaw 1980.

Zbigniew Lubośny

Gdańsk University of Technology

e-mail: z.lubosny@ely.pg.gda.pl

Graduate of Gdańsk University of Technology. A professor of engineering since 2004. Currently an associate professor at Gdańsk University of Technology. His main areas of interest include: mathematical modelling, power system stability, power system control, use of artificial intelligence application in power system control, and modelling and control of wind turbines.

Krzysztof Dobrzyński

Gdańsk University of Technology

e-mail: k.dobrzynski@eia.pg.gda.pl

Graduated from the Faculty of Electrical Engineering of Warsaw University of Technology in 1999. In 2012 he obtained his doctorate at the Faculty of Electrical Engineering and Automation of Gdańsk University of Technology. A lecturer at the Power Engineering Department of Gdańsk University of Technology. His areas of interest include cooperation of distributed generation sources with the power system, mathematical modelling, power system control, and intelligent systems in buildings.

Jacek Klucznik

Gdańsk University of Technology

e-mail: j.klucznik@eia.pg.gda.pl

Graduated as M.Sc. from the Faculty of Electrical and Control Engineering at Gdańsk University of Technology (1999). Five years later he obtained his Ph.D. A lecturer at the Power Engineering Department of Gdańsk University of Technology. His areas of interest include control systems for generators and turbines, wind power generation, and power system automatic protections.

This is a supporting translation of the original text published in this issue of "Acta Energetica" on pages 60–65. When referring to the article please refer to the original text.

PL

Rozruch urządzeń potrzeb własnych bloku elektrowni ciepłej przy zasilaniu z elektrowni wodnej

Autorzy

Zbigniew Lubośny
Krzysztof Dobrzyński
Jacek Klucznik

Słowa kluczowe

blackout, odbudowa systemu elektroenergetycznego, urządzenia potrzeb własnych elektrowni

Streszczenie

W artykule przedstawiono zagadnienia związane z rozruchem bloku elektrowni ciepłej z wykorzystaniem elektrowni wodnej. Elektrownia wodna zasilą i umożliwią rozruch urządzeń potrzeb własnych bloku elektrowni ciepłej. Rozruch urządzeń potrzeb własnych ciepłej elektrowni systemowej po *blackout* (i wyłączeniu kotła), ze względu na duże moce napędów potrzeb własnych, nie jest możliwy z samostartujących źródeł energii na terenie danej elektrowni. Wymagane jest wówczas zewnętrzne źródło energii elektrycznej dużej mocy.

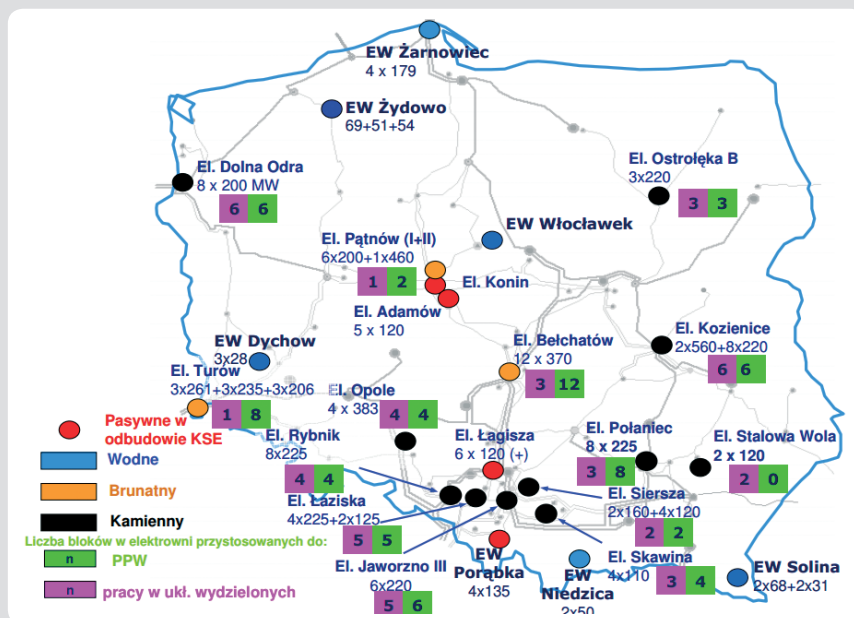
1. Wstęp

Przyłączenie Krajowego Systemu Elektroenergetycznego (KSE) 18 października 1995 roku do systemu UCPT (następnie Union for the Coordination of the Transmission of Electricity – UCTE, a obecnie European Network of Transmission System Operators for Electricity – ENTSOE) obwarowane zostało koniecznością podjęcia przez system krajowy, a także przez systemy państw Europy Środkowej tworzące system CENTREL, wielu działań zmierzających do dostosowania krajowych układów automatyki, regulacji oraz procedur postępowania do stosowanych i praktykowanych w systemie UCPT. Między innymi duży nacisk położono wówczas na opracowanie procedur i przygotowanie układów automatyki do obrony i odbudowy systemu elektroenergetycznego. Wymagania te obowiązują również obecnie.

Wymagania UCPT (ENTSOE) nakładają na współpracujące systemy elektroenergetyczne obowiązek opracowania m.in. planów obrony i odbudowy systemu elektroenergetycznego po tzw. dużej awarii systemowej, na przykład po tzw. *blackout*. W ramach tych planów w KSE przewiduje się możliwość:

- przechodzenia bloków elektrowni systemowych do pracy na potrzeby własne (PPW)
- uruchamiania elektrowni ciepłych z elektrowni samostartujących, głównie wodnych.

Zdolność bloków elektroenergetycznych w KSE do udziału w obronie i odbudowie systemu elektroenergetycznego ilustruje rys. 1. W przypadku elektrowni ciepłych podana jest tu liczba bloków danej elektrowni, które są w stanie przejść do pracy na potrzeby własne (kolor zielony), oraz liczba bloków danej elektrowni, które są w stanie pracować w układzie wydzielonym, tj. wyspie składającej się z kilku bloków wytwórczych oraz odbiorów (kolor fioletowy). O zdolności do pracy tych bloków wytwórczych w danym trybie pracy decydują głównie układy regulacji turbin i kotłów.



Rys. 1. Elektrownie systemowe KSE w planie obrony i odbudowy systemu (PSE-Operator)

Proces odbudowy systemu elektroenergetycznego może być realizowany na kilka sposobów, co uzależnione jest od stanu pracy systemu, do którego doprowadziła awaria systemowa i realizowane działania obronne systemu.

W najmniej dokuczliwym dla systemu przypadku zanik zasilania (*blackout*) może dotyczyć podsystemu. Za przykład niech posłuży awaria szczytowa (8 kwietnia 2008). W takim przypadku bloki elektrowni systemowych, a przynajmniej ich większość, pozostają w pracy z siecią i odbiorami. Odbudowa napięcia w podsystemie z *blackout* jest wówczas zadaniem względnie prostym, polegającym na przyłączeniu wyłączonych linii i odbiorów do pracującego systemu elektroenergetycznego.

Dużą awarią systemową można określić awarię, która doprowadziła do przejścia znaczącej części (ewentualnie wszystkich bloków) do pracy na potrzeby własne.

Oznacza to, że brak zasilania obejmuje cały system lub jego znaczącą część. Ponieważ jednak w tym przypadku bloki elektrowni ciepłych pracują (na potrzeby własne), możliwa jest odbudowa systemu przez załączenie linii elektroenergetycznych i transformatorów (tworzenie sieci przesyłowej i rozdzielczej) oraz dalej przez sekwencyjne załączanie odbiorów (odbudowa zasilania w podsystemach).

Skrajnym przypadkiem dużej awarii systemowej jest zanik zasilania w systemie oraz wyłączenie z pracy bloków (wszystkich) elektrowni ciepłych. Bloki elektrowni ciepłych nie są w stanie uruchomić się samodzielnie po wyłączeniu, które nie jest rozumiane tu jako przejście bloku do pracy na potrzeby własne, ale jako zatrzymanie turbiny i wyłączenie kotła. Ta niemożność samorozruchu wynika z faktu, że rozruch bloku wymaga załączenia dużych odbiorów potrzeb własnych, jak pompa wody

zasilającej, pompa wody chłodzącej, wentylatory ciągu i podmuchu, młyny węglowe itd. Dopiero załączenie tych odbiorów (oraz innych pomniejszych) umożliwi uruchomienie kotła, następnie załączenie turbiny parowej, a w dalszej kolejności wzbudzenie generatora synchronicznego, ewentualną synchronizację z siecią oraz wyprowadzenie mocy do sieci (odbiorów). Lokalne, tj. elektrowniane, samostartujące źródła energii elektrycznej w elektrowniach to rezerwowe generatory napędzane silnikami Diesla o małej w stosunku do wymienionych napędów mocy. Nie są one w stanie zapewnić możliwości uruchomienia dużych pomp, wentylatorów i młynów węglowych. Powyższe oznacza, że w celu uruchomienia wyłączzonego bloku elektrowni ciepłej potrzebne jest samostartujące źródło energii elektrycznej o dużej mocy. Takimi źródłami w systemach elektroenergetycznych są elektrownie wodne o odpowiednio dużej mocy znamionowej. Jak wynika z rys. 1 w KSE elektrowni takich, tj. zdolnych do uruchomienia bloku elektrowni ciepłej i tym samym przewidzianych do tego celu w planie obrony i odbudowy systemu elektroenergetycznego, jest sześć, w tym dwie szczytowo-pompowe (Żarnowiec i Żydowo). Liczby tej nie można uznać za zadowalającą.

Wzrost liczby elektrowni wodnych mogących, oprócz uruchomienia bloków elektrowni ciepłych, równocześnie i szybko włączyć się w proces odbudowy podsystemów (zasilania odbiorców) należy uznać za pożądany. Można sobie wyobrazić, że bezpośrednio po *blackout* odbudowywane są powiązania pomiędzy elektrowniami wodnymi Włocławek, Żarnowiec, Żydowo i rozważana elektrownia wodna ułożona na Wiśle poniżej Włocławka. Źródła te byłyby w stanie zasilac przynajmniej część odbiorów w rejonie kraju, w którym się znajdują, a równocześnie tworzone mogłyby być tory rozruchowe do elektrowni Pątnów, Pelplin (elektrownia planowana), Ostrołęka itd. Praca wymienionych elektrowni w ramach odbudowywanej sieci z zasilaniem części odbiorów może być korzystna ze względu na pobór mocy biernej przez odbiory. Pobór mocy biernej przez odbiory kompensowałby, przynajmniej częściowo, moc, która w nadmiarze jest generowana przez linie elektroenergetyczne najwyższych napięć, tj. linie o napięciu znamionowym 220 kV i 400 kV.

Poniżej, jako przykład efektywności podstawowego etapu odbudowy systemu po *blackout*, tj. po wyłączeniu z pracy elektrowni ciepłej (z wyłączeniem kotła), przedstawiono proces rozruchu bloku elektrowni ciepłej z elektrowni wodnej. Przedstawiony przykład dotyczy bloku elektrowni Pątnów i elektrowni wodnej Włocławek [2, 3, 7]. Praktycznie odnosi się on również do rozważanej elektrowni wodnej na Wiśle, ponieważ zapory we Włocławku. Różnica w przypadku realizacji rozruchu z rozważanej elektrowni wodnej jest mała, a dotyczy tylko części toru przesyłowego, tj. linii 110 kV, pomiędzy stacją elektroenergetyczną Włocławek Azoty a elektrownią wodną Włocławek (w wariantcie prezentowanym) lub elektrownią wodną rozważaną.

2. Struktura układu rozruchu bloku elektrowni Pątnów

Dla elektrowni Pątnów jako elektrowni rozruchowej – w jednym z wariantów – przewiduje się elektrownię wodną Włocławek. Argumentem przemawiającym za takim rozwiązaniem jest względnie bliskie położenie elektrowni wodnej Włocławek, tj. w odległości ok. 90 km od elektrowni Pątnów, oraz łatwość wydzielenia toru rozruchowego. Warto zaznaczyć, że ze względu na dużą moc ładowania linii elektroenergetycznych w miarę możliwości unika się tworzenia torów rozruchowych złożonych z linii o napięciu znamionowym 400 kV i 220 kV.

Podstawowym problemem związanym z rozruchem elektrowni ciepłej jest zasilanie urządzeń i układów jej potrzeb własnych, a w tym przede wszystkim uruchomienie największych – co do mocy – napędów silnikowych urządzeń potrzeb własnych. Głównym zagrożeniem związanym z uruchamianiem tych napędów jest możliwość utknięcia silników asynchronicznych (zwykle tego typu silniki są tu stosowane) w wyniku zbytniego obniżenia się napięcia, spowodowanego przepływem prądu rozruchowego silników przez tor rozruchowy. Uruchomienie tych urządzeń potrzeb własnych (pomp, wentylatorów i młynów węglowych) praktycznie gwarantuje możliwość uruchomienia bloku elektroenergetycznego i tym samym elektrowni.

Elektrownia Pątnów jest elektrownią kondensacyjną z obiegiem chłodzenia wodą z pobliskiego Jeziora Gosławickiego. Składa się ona z sześciu bloków elektroenergetycznych o mocy 200 MW (Pątnów I) i bloku o mocy 474 MW (Pątnów II). W skład bloku elektrowni Pątnów I wchodzi następujące urządzenia [7]:

- kocioł typ OP-650b produkcji RAFAKO, paliwem jest tu węgiel brunatny
- turbina parowa typu TK200 produkcji Zamech. Jest to turbina 3-kadłubowa, akcyjna, z międzystopniowym przegrzewem pary, z układem regeneracyjnym. Turbina wyposażona jest w dwa powierzchniowe skraplacze pary, dwa zespoły smoczków, zasilane parą z odgazowiyacza o ciśnieniu roboczym 6 ata
- generator synchroniczny typu TWW-200-2 produkcji Dolmel o danych znamionowych: $S_n=235$ MVA, $P_n=200$ MW, $U_n=15,75$ kV, $I_n=8625$ A, $\cos\varphi_n=0,85$, $f_n=50$ Hz, $n_n=3000$ obr./min
- transformator blokowy typu TW240000/220, 3-fazowy, 2-uzwojeniowy o danych znamionowych: $S_n=240$ MVA, $U_{nG}=250$ kV, $U_{nD}=15,75$ kV, $I_{nG}=554$ A, $I_{nD}=8798$ A, $u_k=15,5\%$, grupa połączeń Yd11
- transformator odczepowy potrzeb własnych TRDT 20000/20, 3-fazowy, 3-uzwojeniowy, z regulacją po stronie górnego napięcia o danych znamionowych: $S_n=20/10/10$ MVA, $U_n=15,75 \pm 6 \cdot 0,2625/6,3/6,3$ kV, $u_{kGDI}=7,62\%$, $u_{kGDI}=7,3\%$, $u_{kDD}=19,05\%$.

Poza wymienionymi urządzeniami w skład bloku wchodzi urządzenia potrzeb własnych, takie jak pompy, wentylatory, młyny węglowe i inne. Są one napędzane silnikami elektrycznymi zasilanymi z rozdzielni blokowych na poziomie napięcia

6 kV i 0,4 kV. Rozdzielnia potrzeb własnych 6 kV jest sekcjonowana i składa się z dwóch sekcji PATRA6, PATRB6 (według oznaczeń jak na rys. 2) dla bloku nr 6. Jej zasilanie podstawowe realizowane jest z transformatora potrzeb własnych (TZ6), a zasilanie rezerwowe z rozdzielni potrzeb ogólnych elektrowni (PATPR2). Rozdzielnia potrzeb własnych 0,4 kV podzielona jest również na dwie sekcje, zasilane osobno z rozdzielni 6 kV za pomocą dwóch transformatorów 6/0,4 kV/kV o mocy znamionowej 800 kVA każdy.

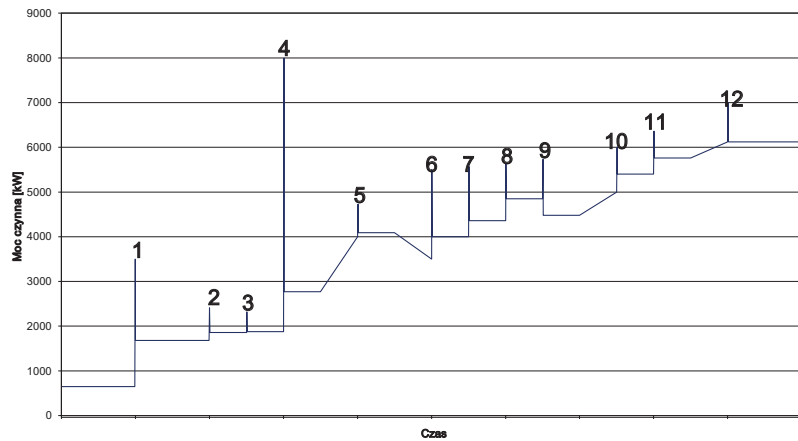
Tor uruchomieniowy od rozdzielni potrzeb ogólnych elektrowni (PATPR2) w kierunku elektrowni wodnej Włocławek tworzą (rys. 2):

- transformator TR3 łączący szyny o napięciu 6 kV i 10 kV. Transformator ten jest wpięty w trzecie uzwojenie autotransformatora AT łączącego szyny 220 kV i 110 kV rozdzielni elektrowni Pątnów
- autotransformator AT (w czasie rozruchu wyłącznik w polu transformatorowym rozdzielni 110 kV tego transformatora jest otwarty)
- linia elektroenergetyczna o napięciu znamionowym 220 kV Pątnów – Włocławek Azoty i długości 75 km
- autotransformator WLA-AT2 w rozdzielni Włocławek Azoty łączący szyny o napięciu 220 kV i 110 kV
- linia elektroenergetyczna o napięciu znamionowym 110 kV Włocławek Azoty – Włocławek Wschód o długości 18 km
- transformator blokowy T3 w rozdzielni Włocławek Wschód łączący szyny o napięciu 110 kV i 10 kV (szyny duobloku elektrowni wodnej Włocławek).

Źródłem zasilania układu potrzeb własnych elektrowni Pątnów w czasie restartu tej elektrowni po *blackout* są dwa hydrozespoły elektrowni Włocławek (tworzące wspomniany wyżej duoblok). W skład hydrozespołu wchodzi [7]:

- turbina Kaplana typu PŁ-661-W-800 o danych znamionowych: $P_n=27,8$ MW, $H_{nom}=10,5$ m, $\Delta H=5,22-12,7$ m, $n_n=57,7$ obr./min, $n_{rozbieg}=130$ obr./min, $Q_n=365$ m³/s
- układ regulacji mocy i prędkości kątowej turbiny typu EGRK-150. Układ ten steruje otwarciem aparatu kierowniczego i położeniem łopatek wirnika
- generator synchroniczny o danych znamionowych: $S_n=31,8$ MVA, $U_n=10,5$ kV, $I_n=1750$ A, $\cos\varphi_n=0,85$, $f_n=50$ Hz, $n_n=57,7$ obr./min, $U_{wn}=260$ V, $I_{wn}=1390$ A, $T_m=6,5$ s
- układ wzbudzenia i regulacji napięcia składający się ze wzbudnicy prądu stałego o mocy 450 kW i transduktorowego regulatora napięcia RNGT-51
- transformator blokowy 3-fazowy, 2-uzwojeniowy o danych znamionowych: $S_n=63,5$ MVA, $U_{nG}=121$ kV, $U_{nD}=10,5$ kV, $u_k=10,5\%$, grupa połączeń Yd11.

Tor rozruchowy łączący bloki elektrowni wodnej Włocławek z blokami elektrowni ciepłej Pątnów – zgodnie z danymi przedstawionymi w poprzednim rozdziale – stanowią linie elektroenergetyczne (napowietrzne, kablowe i tory szynowe) o napięciu znamionowym 220 kV, 110 kV, 6 kV oraz transformatory sprzęgające te



Rys. 4. Przebieg rozruchu urządzeń potrzeb własnych oraz wartość sumaryczna mocy czynnej pobieranej przez urządzenia potrzeb własnych bloku nr 6 w czasie jego rozruchu (numeracja załączanych urządzeń zgodna z wykazem przedstawionym powyżej)

Urządzenie	P_n [kW]	P_{max} [kW]	ΔU [j.w.]	I_{max} [kA]	T_r [s]
Pompa wody chłodzącej	1000	2460	0,15	0,65	4,1
Pompa kondensatu głównego	250	650	0,05	0,15	1,3
Pompa bagrowa	250	650	0,05	0,22	1,3
Pompa wody zasilającej	3150	6350	0,29	1,92	7,0
Pompa kondensatu głównego	250	610	0,04	0,28	1,3
Wentylator spalin	700	2060	0,12	0,54	32,0
Wentylator podmuchu	500	1050	0,07	0,29	7,5
Młyn węglowy	430	860	0,06	0,22	49,0

Tab. 1. Wybrane parametry charakteryzujące rozruch silników napędów potrzeb własnych

4. Wnioski

Podsumowując przedstawione powyżej rozważania, można sformułować następujące spostrzeżenie. Rozwój elektroenergetyki wodnej w kraju, w postaci dużych (względnie dużych) elektrowni wodnych, jest uzasadniony (oprócz wielu innych znanych i ważkich powodów) ze względu na bezpieczeństwo pracy systemu elektroenergetycznego (bezpieczeństwo elektroenergetyczne). Zdolność elektrowni wodnych do samorozruchu jest

wartością nie do przecenienia. Jest wartością, która w istocie, ale również niestety, ujawnia się dopiero w warunkach dużej awarii systemowej. Wieloletnia praca Krajowego Systemu Elektroenergetycznego bez *black-outu* na skalę krajową efektywnie, niestety, hamuje zdolność (lub chęć) do inwestowania w tego typu obiekty i rozwiązania. Inicjatywa ENERGA SA dotycząca budowy elektrowni wodnej na Wiśle zmienia na szczęście ten sposób myślenia.

Zbigniew Lubośny

prof. dr hab. inż.
Politechnika Gdańska
e-mail: z.lubosny@ely.pg.gda.pl

Wychowanek Politechniki Gdańskiej. Od 2004 roku jest profesorem nauk technicznych. Obecnie zatrudniony na swojej macierzystej uczelni na stanowisku profesora nadzwyczajnego. Obszar zainteresowań to: modelowanie matematyczne, stabilność systemu elektroenergetycznego, sterowanie systemem elektroenergetycznym, zastosowanie sztucznej inteligencji do sterowania systemem elektroenergetycznym, modelowanie i sterowanie elektrowniami wiatrowymi.

Krzysztof Dobrzyński

dr inż.
Politechnika Gdańska
e-mail: k.dobrzyński@eia.pg.gda.pl

Ukończył studia na Wydziale Elektrycznym Politechniki Warszawskiej w 1999 roku. W 2012 roku uzyskał tytuł doktorski na Wydziale Elektrotechniki i Automatyki Politechniki Gdańskiej. Pracuje jako adiunkt w Katedrze Elektroenergetyki Politechniki Gdańskiej. Obszar zainteresowań to współpraca źródeł generacji rozproszonej z systemem elektroenergetycznym, modelowanie matematyczne, sterowanie systemem elektroenergetycznym, instalacje inteligentne w budynkach.

Jacek Klucznik

dr inż.
Politechnika Gdańska
e-mail: j.klucznik@eia.pg.gda.pl

Studia magisterskie ukończył na Wydziale Elektrotechniki i Automatyki Politechniki Gdańskiej (1999). Pięć lat później uzyskał tytuł doktorski. Pracuje jako adiunkt w Katedrze Elektroenergetyki swojej macierzystej uczelni. Zajmuje się układami regulacji generatorów i turbin, energetyką wiatrową oraz elektroenergetyczną automatyką zabezpieczeniową.

Bibliografia

- Bajorek Z., Teoria maszyn elektrycznych, Warszawa 1982.
- Badania pracy elektrowni wodnej Włocławek na sieć wydzieloną. Sprawozdanie z eksperymentu systemowego uruchomienia bloku elektroenergetycznego nr 6 200 MW elektrowni Pątnów przy zasilaniu jego potrzeb własnych z elektrowni wodnej Włocławek wykonanego w dniu 20.06.1998, Instytut Energetyki o. Gdańsk, Zakład Regulacji, Warszawa 1998.
- Badania układów regulacji prędkości obrotowej i napięcia hydrozespołów w EW Włocławek w celu określenia ich stanu technicznego, zakresu modernizacji i możliwości pracy na sieć wydzieloną w przypadku zaniku napięcia w KSE, Instytut Energetyki o. Gdańsk, Zakład Urządzeń Elektrohydraulicznych Elektrowni, Warszawa 1998.
- Kundur P., Power System Stability and Control, McGraw-Hill, Inc., New York 1993.
- Laudyn D., Pawlik M., Strzelczyk F., Elektrownie, Warszawa 1995.
- Pawlik M., Skierski J., Układy i urządzenia potrzeb własnych elektrowni, Warszawa 1986.
- Szczerba Z., Lubośny Z., Zajczyk R., Modelowanie rozruchów urządzeń potrzeb własnych bloków elektrowni ciepłych przy zasilaniu z odległych elektrowni wodnych w programie PSLF. Etap II. Analiza rozruchu układu potrzeb własnych i toru przesyłowego elektrownia wodna Włocławek – elektrownia Pątnów, Unipol s.c., marzec 2000.
- Skierski J., Nieliniowy model matematyczny silnika asynchronicznego do analizy stanów przejściowych w trakcie wybiegu grupowego, *Przegląd Elektrotechniczny* 1978, R LIV, z. 2.
- Śliwiński T., Głowacki A., Parametry rozruchowe silników indukcyjnych, Warszawa 1982.
- Janiczek R., Eksploatacja elektrowni ciepłych, Warszawa 1980.