

# Modelling of Power Electronic Compensators for the Analysis of Power System Operation

## Author

Robert Kowalak

## Keywords

power electronic shunt compensators, SVC, STATCOM

## Abstract

The article presents selected methods of modelling power electronic compensators in order to analyze their operation in the power systems. Advantages and disadvantages of models have been shown with an indication of their usefulness for modelling specific phenomena.

**DOI: 10.12736/issn.2300-3022.2013405**

## 1. Introduction

Currently, proper operation of power systems requires application of various additional devices, which, without generators and transformers, participate in control processes. Those include the latest devices belonging to FACTS (Flexible Alternating Current Transmission Systems). Among them, power electronic compensators are of particular importance. Their significance is increasing in connection with development of the system, in particular with the increase in power consumption. This leads to the occurrence of more frequent problems with maintaining proper voltage levels at the supply network, usually connected with reactive power flows.

Due to the high rated power of compensators, their introduction to the system must be preceded by a proper analysis of their impact on the power system. This task is carried out in the form of computer modelling, which reflects the system operation with the new device. Reliability of the results obtained in that process is determined by the accuracy of reflection of the power system and of the new element – the compensator.

This article contains a synthetic description of selected modelling methods of power electronic shunt compensators that belong to the group of FACTS. The models discussed in detail in this paper have been used in simulation tests carried out in PLANS and DlgSILENT PowerFactory programs.

## 2. Types of compensators

Shunt compensators found in power systems can be divided into two main groups: dynamoelectric and static compensators. The importance of the first type of devices, which are synchronous machines, is very insignificant due to the fact that they are used more and more rarely. In comparison, static compensators are commonly used in power supply systems around the world. Static compensators can be divided into the following: classic

compensators, in which electromechanical switches are used for switching operations, and power electronic compensators, in which power electronic systems are applied. Power electronic compensators consist of SVC (Static VAR Compensator) and STATCOM (Static Compensator).

- SVC systems are made of the following modules:
- TSC – thyristor switched capacitor
- TSR – thyristor switched reactor
- TCR – thyristor controlled reactor
- FC – fixed capacitors, including harmonic filters of capacitive character.

Names of SVCs originate from the modules used in their structure. Thus, we can distinguish the following subtypes: TSC, TSR, TCR, TCR-FC, TCR-TSC, TCR-TSC-FC and TSR-TSC (TCR and TCR-TSC are not used in practice). Only SVCs containing the TCR element in their structure can provide continuous control. There are two basic designs in STATCOM systems. The most common of them is based on VSI (Voltage Source Inverter). STATCOMs designed with the use of CSI (Current Source Inverter) do not occur in power systems. Both designs are able to carry out control on a continuous basis.

The newest group of power electronic compensators are hybrid systems, constructed as combination of both of the solutions presented above in a single design. Because of their structure, they are often called STATCOM-based SVCs. This is because their system structure reminds SVC, with the only difference that TCR is replaced by STATCOM.

Power electronic compensators may operate using one of the control criteria: voltage control, reactive power control, power factor control and power oscillation damping [8]. The basic control criterion used for transmission networks in steady state is voltage control.

Power electronic compensators are presented in more detailed for example in [3].

### 3. Static models

In modelling of power electronic compensators, including the flow analysis, the character of those devices in steady state should be taken into account. Both SVCs with continuous control and STATCOM in steady states of control operate identically, and therefore they can be modelled in the same way for that range of work.

However, behaviour of those devices outside the range of control is different. Reactive power of SVC is dependent on the supply voltage square, whereas reactive power of STATCOM depends on the voltage value. Therefore, for example, at reduced values of supply voltages, SVC is more limited in the supply of reactive power than STATCOM – such behaviour of devices requires a different approach to modelling their operation outside the range of control (i.e. in the case of overvoltage or undervoltage).

#### 3.1. Modelling of SVC

SVC may be seen in the power system as a variable susceptance connected in the particular system part, of capacitive or inductive character, depending on the current setting. Susceptance of such a system is a result of capacitive and inductive elements, as well as harmonic filters comprising the compensator (if they are installed). Only in a special case of setting, are inductive and capacitive elements balanced, which can be perceived as a complete shutdown from the point of view of the system susceptance. In this case SVC draws a small amount of active power from the system, which is associated with occurring losses (may be omitted in modelling).

One of the modelling methods may be the model “fragmentation” into models of respective elements comprising the reflected SVC. So the capacities switched permanently with a total capacity  $C$  can be modelled as the susceptance with its value resulting from dependence

$$B_C = \omega C \quad (1)$$

where:  $\omega$  – pulsation.

The result value of susceptance of capacitive elements of TSC may be expressed as:

$$B_{TSC} = \omega C_{\Sigma zai} \quad (2)$$

where:  $C_{\Sigma zai}$  – the total capacitance of all TSC sections switched to operation at the moment.

In order to simplify the model, the components with permanently switched capacity can be considered as one of the TSC elements with a specific capacity.

TSR and TCR are inductive elements in SVC. Even though their structure is similar, their control method is different. Susceptance of TSR is expressed in the form of:

$$B_{TSR} = -\frac{1}{\omega L_{zai}} \quad (3)$$

where:  $L_{zai}$  – the total inductance of all sections switched to operation at the moment.

The TCR susceptance, which is dependent on the ignition angle of thyristor switches, is described as follows:

$$B_{TCR} = -\frac{2(\pi - \alpha) + \sin(2\alpha)}{\pi \omega L_{TCR}} \quad (4)$$

where:  $L_{TCR}$  – inductance of TCRs,  $\alpha$  – thyristor ignition angle.

SVC may be modelled as a single element, which is the variable susceptance included to the supply system as shunt [2, 5]. This modelling method is showing in Fig. 1.

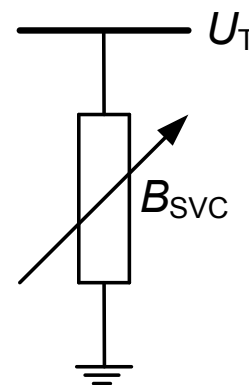


Fig. 1. SVC model in the form of variable susceptance

The devices susceptance can be modelled directly as a variable which is depended on the angle of setting TCR thyristors and the number of switched TSC sections. Current drawn by the system is described as:

$$I_{SVC} = U_T \cdot B_{SVC} \quad (5)$$

where:  $U_T$  – voltage at the connection point.

Reactive power the device is described by the following:

$$Q_{SVC} = U_T^2 \cdot B_{SVC} \quad (6)$$

Change of susceptance allows controlling both the voltage value at the connection point and the reactive power level.

SVC susceptance is resultant from all susceptance elements that operate parallel with each other. In order to simplify those considerations it has been assumed that the compensator device is made of TSC and TCR. The susceptance description of those elements is shown in equations 2 and 4. Equivalent susceptance of TCR-TSC-type SVC may be expressed as:

$$B_{SVC}(\alpha) = B_{TSC} + B_{TCR} = \omega C_{zai} - \frac{2(\pi - \alpha) + \sin(2\alpha)}{\pi \omega L_{TCR}} \quad (7)$$



The discussed modelling methods allow for reflection of the entire SVC system, but without specifying the transformer in that model. The transformer in this model can be included, with a certain simplification, as an adjustment of parameter  $B_{SVC}$ . Because sometimes a more accurate reflection of transformer is recommended, parameters such as resistance  $R_{Tr}$  and reactance  $X_{Tr}$  should be entered in the model. Admittance of SVC system with transformer ( $Y_{Tr-SVC}$ ) is described by the following:

$$Y_{Tr-SVC}(\alpha) = \frac{Y_{Tr} \cdot Y_{SVC}}{Y_{Tr} + Y_{SVC}} \quad (8)$$

$$G_{Tr-SVC} = \frac{R_{Tr}}{R_{Tr}^2 + X_{Tr-SVC}^2} \quad (9)$$

$$B_{Tr-SVC} = -\frac{X_{Tr-SVC}^2}{R_{Tr}^2 + X_{Tr-SVC}^2} \quad (10)$$

$$X_{Tr-SVC} = X_{SVC} + X_{Tr} \quad (11)$$

$$X_{SVC} = \frac{1}{B_{SVC}} \quad (12)$$

where:  $Y_{Tr}$  – transformer admittance,  $Y_{SVC}$  – result admittance of compensator elements (without transformer).

### 3.2. STATCOM modelling

STATCOM is seen in the system as an alternating voltage source with continuous control connected to the power supply system via a HV/MV transformer. Such a perception is possible due to the use of an inverter with gate turn-off thyristors, which is loaded with capacity on the side of DC voltage.

It the model tests STATCOM can be reflected in the form of an equivalent circuit, consisting of an ideal alternating voltage source connected in series with impedance [1, 7, 9]. The idea is shown in Fig. 2.

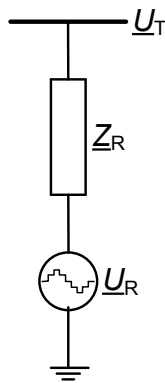


Fig. 2. STATCOM model

Voltage  $\underline{U}_R$  is described as follows:

$$\underline{U}_R = U_R \cdot (\cos \delta_R + j \sin \delta_R) \quad (13)$$

where:  $\delta_R$  – phase angle of voltage  $U_R$ .

Apparent power of the above system is described as follows:

$$\underline{S}_R = \underline{U}_R \cdot \underline{Y}_R^* \cdot (\underline{U}_R^* - \underline{U}_T^*) \quad (14)$$

where:  $Y_R$  – admittance resulting from impedance  $Z_R$ .

The model above can be described by equations that reflect power flow, as shown in [1]. This model allows specifying the power supplied to the connection busbars (index  $T$ ) and the inverter power (index  $R$ ).

$$P_T = U_T^2 G_R + U_T U_R [G_R \cos(\theta_T - \delta_R) + B_R \sin(\theta_T - \delta_R)] \quad (15)$$

$$Q_T = -U_T^2 B_R + U_T U_R [G_R \sin(\theta_T - \delta_R) - B_R \cos(\theta_T - \delta_R)] \quad (16)$$

$$P_R = U_R^2 G_R + U_R U_T [G_R \cos(\delta_R - \theta_T) + B_R \sin(\delta_R - \theta_T)] \quad (17)$$

$$Q_R = -U_R^2 B_R + U_R U_T [G_R \sin(\delta_R - \theta_T) - B_R \cos(\delta_R - \theta_T)] \quad (18)$$

where:  $G_R$  – conductance and  $B_R$  – susceptance resulting from admittance  $Y_R$ .

### 3.3. Static model of power electronic compensator

In static modelling it is important to properly reflect the characteristics of the particular compensator. Depending on the needs the model can reflect all characteristics or only some parts. Example characteristics of SVC and STATCOM are shown in Fig. 3 and 4, respectively.

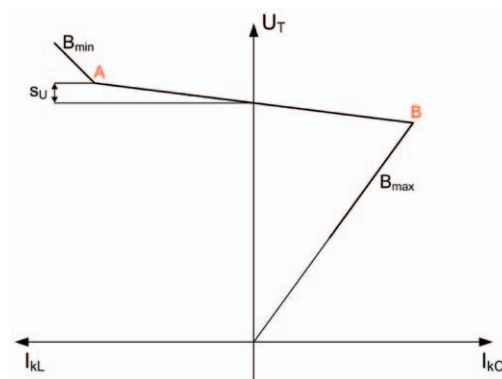


Fig. 3. Static characteristics of SVC:  $s_U$  – compensator droop,  $U_T$  – voltage at the connection point,  $I_k$  – compensator current ( $I_L$  – inductive,  $I_C$  – capacitive)

Based on the static characteristics of the compensator, it can be modelled as PU type node in the flow program (constant active

power, constant voltage), which is connected to the PQ type node (constant active power, constant reactive power) through inductive reactance [8]. In the range of compensator control, which is limited by the maximum inductive reactive power on the one side and by the maximum capacitive reactive power on the other, such a system will supply/take reactive power from the power supply system depending on the current system status and the set voltage value. When the limit is reached, the model will be seen in the particular system point as constant capacitive or inductive reactive power, depending on which limit has been reached. Introduction of inductive reactance to the model allows reflecting the droop of compensator characteristics.

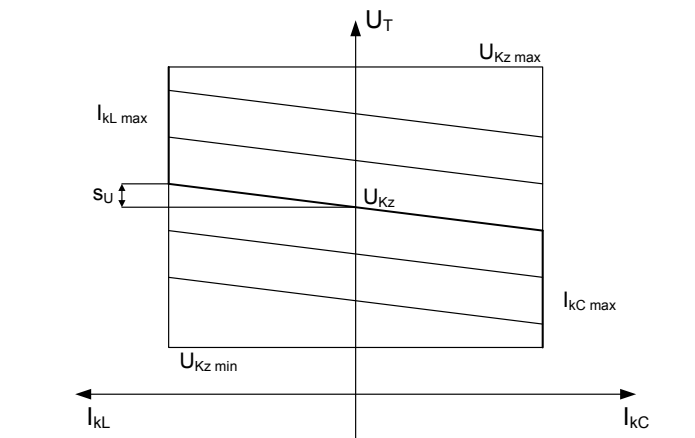


Fig. 4. STATCOM static characteristics:  $U_{KZmax}$ ,  $U_{KZmin}$  – upper and lower voltage limit,  $I_{kLmax}$ ,  $I_{kCmax}$  – current limit related to current in the inductive and capacitive element,  $U_{KZ}$  – set voltage

Development of this type of modelling is a reflection of compensator using the generator model with inductive reactance connected in series [4, 6]. This modelling method can be used in various flow programs. Introduction of relevant restrictions for generation of reactive power to the generator allows for giving the available compensator reactive power, and the connected reactance enables modelling of characteristics droop which describes the compensator. This type of modelling is presented in Fig. 5.

Such a type of model is fully based only on the part of static characteristics that reflects the range of control. The model itself is

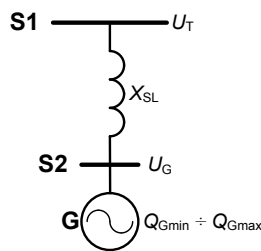


Fig. 5. Compensator model diagram – generator model with reactance: S1 – busbar connecting the compensator to the system,  $X_{SL}$  – droop modelling reactance, S2 – generator busbar, G – generator,  $U_G$  – generator voltage

composed of an ideal generator model, connected to the system via series reactance (e.g. a simplified line model which takes into account only its reactance).

The generator model should include the range of allowed changes in reactive power, which depends on the range of compensator control. The range is determined as:

$$Q_{Gmin} = Q_{Kmin} \tag{19}$$

$$Q_{Gmax} = Q_{Kmax} \tag{20}$$

where:  $Q_{Kmin}$  – power of the compensator inductive element (minimum),  $Q_{Kmax}$  – power of the compensator capacitance element (maximum).

The set voltage  $U_G$  which corresponds to the compensator set voltage, should also be determined in the generator:

$$U_G = U_{KZ} \tag{21}$$

where:  $U_{KZ}$  – compensator set voltage.

In the presented model the generator power flows through reactance  $X_{SL}$  which connects it to the power system. The purpose of this reactance is to allow reflection in the droop model of the compensator characteristics. The value of this reactance is determined as follows:

$$X_{SL} = \frac{s_U \cdot U_{Kn}^2}{S_{Kn}} \tag{22}$$

where:  $U_{Kn}$  – compensator rated voltage,  $S_{Kn}$  – compensator rated power,  $s_U$  – compensator droop expressed in relative units.

With the correct designation of the compensator model parameters, the dependence is met for the state in which the compensator does not take and does not give reactive power to the system:

$$U_T = U_{KZ} \tag{23}$$

The described model is simple and reflects very well the operation of both SVC and STATCOM, but only in the control range of both of these units. Outside that range the model behaviour is totally different than it would be for each of these compensators; additionally, the model will maintain a constant generation or consumption reactive power (depending on which of the restrictions has been exceeded) as in the case of generator.

It indicates that the model is also very restricted in use, as it may be used only in the model tests in which the reflected compensators do not go beyond the control range specified for their operation. When the parameters of the modelled circuit impose the compensator operation outside the control range, the results obtained will include a major error, which will depend on how

further away the compensator is from the control range; the errors will be larger for SVC than for STATCOM because of the nature of compensators.

The scope of application of that model can be extended by introducing additional elements. The first of modifications allows for good modelling of compensators in terms of control, as well as outside the control range at low voltage values, when the compensator is in capacitive mode. However, in that range the model reflects properly only the behaviour of SVC. The modification involves the inclusion of a particular capacity to the model structure, as shown in Fig. 6.

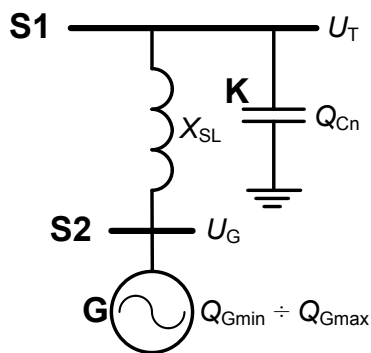


Fig. 6. Compensator model diagram – generator model with reactance and capacitor bank: S1 – busbar connecting the compensator to the system,  $X_{SL}$  – droop modelling reactance, S2 – generator busbar, G – generator, K – capacitor bank,  $Q_{Cn}$  – capacitor rated power,  $U_G$

The change requires a slightly different method for determining certain model parameters. Therefore, the introduced range of allowed changes in reactive powers in the generator, depending on the compensator control range, is determined in accordance with the following:

$$Q_{G\min} = Q_{K\min} - Q_{K\max} \quad (24)$$

$$Q_{G\max} = 0 \quad (25)$$

The voltage set in the generator is determined as follows:

$$U_G = \frac{U_{Kz} \cdot S_{Kn}}{S_{Kn} + s_U \cdot Q_{K\max}} \quad (26)$$

The method for determining reactance  $X_{SL}$  is also changed. The value of this reactance is determined as follows:

$$X_{SL} = \frac{s_U \cdot U_{Kn}^2}{S_{Kn} \cdot (1 + s_U)} \quad (27)$$

The value of the introduced capacity should be selected in such a way that the rated reactive power achieved by it is equal to the reactive power of the capacitive element in the compensator.

$$Q_{Cn} = Q_{K\max} \quad (28)$$

Reactive power of the entire compensator results from the reactive power of the generator system and series reactance  $X_{SL}$ , and the capacitor power. With the correct designation of the compensator model parameters, the equality described by equation 23 is met for the state in which the compensator does not take and does not give reactive power to the system.

The model properly reflects the behaviour of SVC in the control range, and in the case of low voltage values in the system. The model is restricted by the fact that it is not able to properly reflect the behaviour of SVC at higher voltage values (outside the control range), i.e. for those in which the compensator works as permanently switched reactor. Therefore, this type of model can be used to test the system behaviour under strong loads, as well as in the case of modelling of voltage failures characterised by low voltage values (e.g. voltage avalanche). The model can be used in the tests related to the application of STATCOM, but it should be borne in mind that it will behave properly only in the control range of this compensator.

The latter modifications allows for good modelling of compensators in terms of control, as well as outside the control range at high voltage values, when the compensator is in inductive mode. However, in that range the model reflects properly only the behaviour of SVC. The modification involves the inclusion of a particular inductance to the model structure, as shown in Fig. 7.

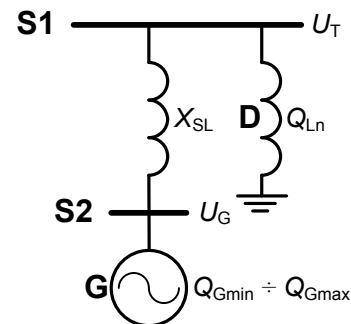


Fig. 7. Compensator model diagram – generator model with reactance and reactor: S1 – busbar connecting the compensator to the system,  $X_{SL}$  – droop modelling reactance, S2 – generator busbar, G – generator, D – reactor,  $Q_{Ln}$  – reactor rated power,  $U_G$  – generator voltage

As in the preceding model, the change requires a slightly different method for determining certain model parameters. In this case, the range of allowed changes in the generator reactive power is determined as follows:

$$Q_{G\min} = 0 \quad (29)$$

$$Q_{G\max} = Q_{K\max} - Q_{K\min} \quad (30)$$

The voltage set in the generator is determined as follows:

$$U_G = \frac{U_{Kz} \cdot S_{Kn}}{S_{Kn} + s_U \cdot Q_{K\min}} \quad (31)$$

The value of the introduced inductance should be selected in such a way that the rated reactive power achieved by it is equal to the reactive power of the inductive element in the compensator.

$$Q_L = Q_{K \min} \quad (32)$$

Reactive power of the entire compensator results from the reactive power of the generator system and series reactance  $X_{SL}$ , and the reactor power. With the correct designation of the compensator model parameters, the equality described by equation 23 is met for the state in which the compensator does not take and does not give reactive power to the system.

The model properly reflects the behaviour of SVC in the control range, and in the case of high voltage values in the system. The model is restricted by the fact that it is not able to properly reflect the behaviour of SVC at lower voltage values (outside the control range), i.e. for those in which the compensator works as permanently switched capacitor. Therefore, this type of model can be used to study the system behaviour at low load (e.g. night period).

The model can be used in the tests related to application in STATCOM, but it should be borne in mind that it will behave properly only in the control range of this compensator.

Some dynamic models may also be used for static calculations.

## 4. Dynamic Models

### 4.1. SVC dynamic model

A comprehensive dynamic SVC model includes the following in its structure: HV/MV transformer models, MV busbars with connected TSC, TSR, TCR and FC modules. SVC controller controls the operation of the entire device.

Many simulation programs contain ready built-in models of transformers which can be used in such a model. The transformer parameters should be selected for the modelled SVC (power) and for voltages at the connection point. An important element of the model is harmonic filters and fixed capacitor banks (FC module). In order to reflect them RLC elements with properly chosen parameters are connected to MV busbars in the model. Those elements are not subject to control.

TCR, TSC and TSR elements require inclusion of semiconductor elements in their structures (for more accurate modelling). Some simulation programs include ready modules that allow modelling the above-mentioned elements, whereas in others, the LC elements must be combined with semiconductor switch models. Dynamic semiconductor models available in simulation programs are generally sufficient for the need to model SVC, so it is not necessary to develop one's own models. The thyristor ignition angle must be controlled in TCR element (since it determines the susceptance value of TCR), while on/off signals are sent in the case of TSR and TSC elements.

Controlled modules are "integrated" with each other by the SVC controller. Units included in this controller are dependent on the modelled type of SVC system. Because

SVC with TCR and TSC elements in its structure is considered to be a standard device from the point of view of the transmission network, controller of such a system is discussed below. The structure of a sample controller is shown in Fig. 8.

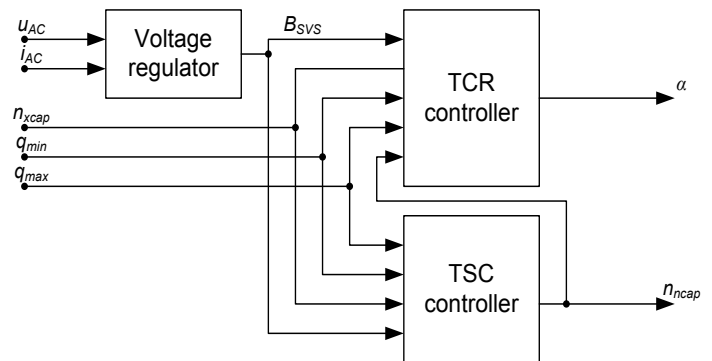


Fig. 8. TCR-TSC-type SVC controller

The following are introduced to the controller signals of: relative value of voltage at the compensator connection point ( $u_{AC}$ ), relative values of compensator current ( $i_{AC}$ ) measured on the secondary side of the HV/MV transformer, which is one of the compensator model elements, and the signals that indicate the number of available (installed) TSC elements ( $n_{xcap}$ ), the power of a single TSC element ( $q_{min}$ ) and the power of a TCR element ( $q_{max}$ ). Output signals are the TCR thyristor switching angle ( $\alpha$ ) and the number of currently switched TSC elements ( $n$ ). The following are distinguished within the SVC controller: voltage control unit (voltage regulator), TCR control unit (TCR controller) and TSC control unit (TSC controller).

Fig. 9 shows the structure of voltage regulator in the SVC system.

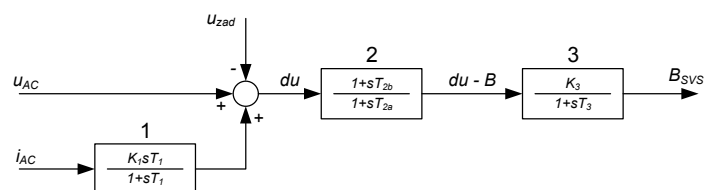


Fig. 9. Voltage regulator in the SVC device

The purpose of the controller is to control voltage at the compensator connection point. Voltage error is determined in the controller by comparing the current voltage value with the set value; its value is used by the controller to determine which susceptance value should be applied in the compensator to compensate for the error. The set voltage value is introduced to the voltage regulator model by the user. Both the voltage values and susceptance values are expressed in relative units. An additional element is the feedback from

the compensator current, which is activated mainly in dynamic states and affects the system by introducing an additional voltage control error. Three units can be seen in the voltage regulator structure. The first of them (1) is a correction unit from the compensator current. The second (2) is the voltage correction unit, and the third (3) is the inertial unit. The system droop reflects the intensification of the inertial unit. Output signal from the voltage regulator is the susceptance value for SVC ( $B_{SVC}$ ), expressed in relative units, which should be achieved by the compensator. The purpose of the TCR controller is to generate the thyristors ignition angle in the TCR module sufficient to achieve the required relative value of compensator susceptance, taking into account the number of switched TSC sections.

Some difficulties in modelling are caused by non-linear dependence of the thyristor ignition angle in the susceptance function. Because there was no ready dependence  $\alpha = f(B_{TCR})$ , the function has been determined for modelling and used in the developed SVC controller model. Its structure is shown in Fig. 10.

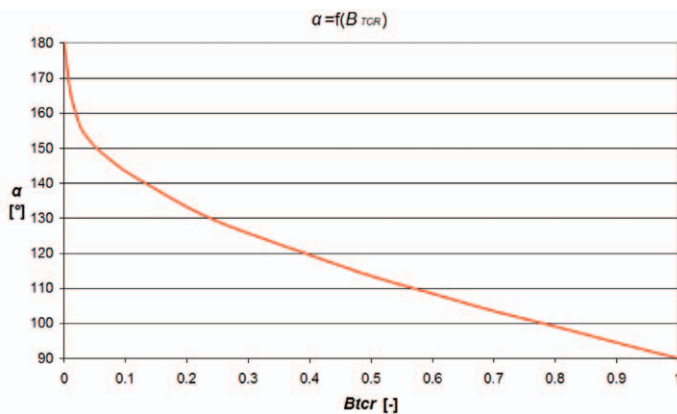


Fig. 10. Dependence of the thyristor ignition angle on the susceptance of TCR

The purpose of the TSC controller is to control and adjust the number of switched TSC banks, depending on the required susceptance  $B_{SVC}$  of the compensator. The controller contains the TSC bank control algorithm, which performs several functions, e.g. may not allow for simultaneous switching of several sections, while simultaneously imposing switching of individual TSC sections according to the time required between switching, no shorter than the time of switching off/on a single TSC section, i.e. the time corresponding to one period of supply voltage wave. For the purpose of providing the work of TSC it is also necessary to maintain the minimum time between switching on and switching off of the same TSC section (voltage regulator may attempt to force a very quick alternating changes of the system susceptance during quick transient states occurring at the supply network). The algorithm can be modified according to the needs.

If such function is not available in the TSC module model, the controller should ensure control of the TSC section switches to enable pre-charging of TSC capacity.

## 4.2. STATCOM dynamic model

A comprehensive STATCOM model contains models of elements such as: HV/MV transformer, MV busbars, PWM inverters, DC busbars and capacitor bank. Transformer is one of elements, just as in the case of the SVC model. The transformer parameters should be selected for the modelled STATCOM (power) and for voltages at the connection point. The most important of the STATCOM model elements is the inverter model and the model of its control system. As in the case of transformers, ready inverter models are available in many simulation programs; they enable modelling of dynamic states, so there is no need to develop own model. However, it is important to be aware of limitations of that model.

In the STATCOM model the inverter is loaded with certain capacity on the side of DC voltage. Its value is selected for the modelled STATCOM. It should be noted that the system rated power is determined by the inverter power, whereas the capacity affects mainly the system behaviour in quickly changing states.

The second of important units is the STATCOM control system. In this case we control only one element – the inverter. The structure of the STATCOM system controller is presented in Fig. 11.

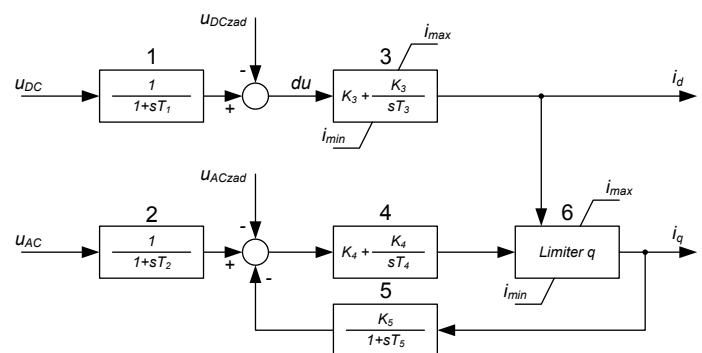


Fig. 11. STATCOM device controller

Voltage measurement signals are introduced to the STATCOM control system at the point of connection of alternating voltage to the network ( $u_{AC}$ ) and the voltage value in the DC circuit ( $u_{DC}$ ), expressed in relative units. The voltage values the system is to achieve in the AC ( $u_{ACzad}$ ) and DC ( $u_{DCzad}$ ) circuit are set in the controller. Output signals in the controller are the current values in axes  $d$  ( $i_d$ ) and  $q$  ( $i_q$ ), expressed in relative units, used for proper setting of the inverter.

Module 1 and 2 in the controller model reflect the delay of voltage measuring signals. with the output signal in the form of an inverter current component in axis  $d$  limited so that the current does not exceed the limit value for the inverter. Module 4 has the same role as module 3, but in the AC circuit, and its output signal is not restricted inside it, but in another module (6), which acts as a limiter of the inverter current

component in axis  $q$ , depending on the current component value in axis  $d$  and the limit current value in the inverter. Module 5 is located in the feedback loop of the AC voltage control path and allows, among others, to introduce droop to the model. The ability to control inverter in axes  $d$  and  $q$  has been used while developing the STATCOM model. In contrast to the SVC, where the control applied only to one parameter (voltage at the point of connection of the alternating voltage to the network), in STATCOM there is a need to control two voltages: the voltage on the capacity in DC circuit and the voltage at the point of connection to the supply network. Therefore, there are two paths in the control system. The first is related to the voltage control in the DC circuit, whereas the second concerns AC. Voltage control in the DC circuit is connected with consumption of active power from the power system; therefore the inverter should be controlled in such a way as to control the active current component in the inverter. Voltage control at the point of connection to the power system is associated with the control of reactive power flow between the system and STATCOM. In this case, the inverter should be controlled in such a way as to control the reactive current component in the inverter. The value of the inverter current corresponds to the active component in axis  $d$  and to the reactive component in axis  $q$ ; therefore such a method of control has been used for development of the model. STATCOM may not operate properly if capacitors are discharged in the DC circuit of the inverter. Therefore, the voltage control path in the DC circuit has been adopted as the primary path. Restrictions of component values of the inverter current in axis  $d$  and  $q$  have been introduced in the model since the value of the inverter current is an important limitation in the compensator operation. Bearing in mind which track is the primary one, the restriction of the reactive component value in the model is dependent on the current active component value in such a way as to ensure that the limit value of the inverter current is not exceeded.

## 5. Summary

The purpose of developing of the static compensator models was their best possible reflection in terms of flow calculations carried out at various models of supply networks. The aim was to provide a relatively accurate modelling of compensators combined with an easy model "service". This objective has been achieved in modelling SVC in a large area of operating states, but only for the control range in the case of STATCOM.

The objective of developing of dynamic models was to analyse operation of supply systems in transient states. Those models enable modelling of compensators with various parameters. In models the user can select a transformer and device power, as well as influence its dynamics through the proper selection of parameters. It is also possible to directly interfere with the control algorithms. The presented models were used in simulation tests for analysis of power system operation, carried out in PLANS and DlgSILENT PowerFactory programs.

## REFERENCES

1. Acha E., Fuerte-Esquivel C.R., Ambriz-Perez H., Angeles-Comacho C., FACTS Modelling and Simulation in Power Networks, John Wiley & Sons, LTD.
2. Castro M.S. i in., Impacts of FACTS Controllers on Damping Power Systems Low Frequency Elektromechanical Oscillations, IEEE/PES Transmission & Distribution Conference & Exposition: Latin America 2004.
3. Kowalak R., Małkowski R., Shunt compensator as controlled reactive power sources, *Acta Energetica* 2011, issue 1.
4. Mahdad B. i in., Strategy of Location and Control of FACTS Devices for Enhancing Power Quality, May 16–19, Benalmádena (Málaga), Spain, IEEE MELECON 2006.
5. Moghavvemi M., Faruque M.O., Effect of FACTS Devices on Static Voltage Stability, IEEE 2000.
6. Nabae A., Yamaguchi M., Suppression of Flicker in an Arc-Furnace Supply System by an Active Capacitance – A Novel Voltage Stabilizer in Power Systems, *IEEE Transactions on Industry Applications* 1995, Vol. 31, No. 1, January/February.
7. Padiyar K.R., Prabhu N., Design and Performance Evaluation of Subsynchronous Damping Controller With STATCOM, *IEEE Transactions on Power Delivery* 2006, Vol. 21, No. 3, July.
8. Zajczyk R., Modele matematyczne systemu elektroenergetycznego do badania elektromechanicznych stanów niustalonych i procesów regulacyjnych [Mathematical power system models for examination of electro-mechanical unsteady states and control processes], Wydawnictwo Politechniki Gdańskiej, 2003.
9. Zhang X-P., Handschin E.J., Optimal power flow control by converter based FACTS controllers, AC-DC Power Transmission, 28–30 November 2001, Conference Publication No. 485 © IEE 2001.

## Robert Kowalak

Gdańsk University of Technology  
e-mail: r.kowalak@ely.pg.gda.pl

Graduate of Gdańsk University of Technology. He is currently working as a lecturer at the Faculty of Electrical and Control Engineering of Gdańsk University of Technology. His professional interests include: high-voltage power electronics systems (FACTS, HVDC), modelling the operation of power electronics systems in a power system, and cooperation of power supply systems with traction power systems.



This is a supporting translation of the original text published in this issue of "Acta Energetica" on pages 48–55. When referring to the article please refer to the original text.

PL

## Modelowanie kompensatorów energoelektronicznych na potrzeby analiz pracy systemu elektroenergetycznego

### Autor

Robert Kowalak

### Słowa kluczowe

energoelektroniczne kompensatory bocznikowe, SVC, STATCOM

### Streszczenie

Autor artykułu prezentuje wybrane sposoby modelowania kompensatorów energoelektronicznych, z uwzględnieniem analizy ich pracy w systemie elektroenergetycznym. Przedstawia wady, jak i zalety modeli, a także zakres ich przydatności do modelowania określonych zjawisk.

### 1. Wprowadzenie

Poprawna praca systemu elektroenergetycznego wymaga w dzisiejszych czasach stosowania różnego rodzaju dodatkowych urządzeń, które oprócz generatorów i transformatorów uczestniczą w procesach regulacyjnych. Do urządzeń tych zaliczamy te najnowocześniejsze, należące do grupy urządzeń FACTS (ang. *Flexible Alternating Current Transmission Systems*). Wśród nich szczególne miejsce zajmują energoelektroniczne kompensatory bocznikowe. Ich znaczenie rośnie w związku z rozwojem systemu, a w szczególności wraz ze wzrostem mocy pobieranej przez odbiory. Prowadzi to bowiem do pojawiania się coraz częstszych problemów z utrzymaniem właściwych poziomów napięć w sieci zasilającej, związanych najczęściej z przepływami mocy biernej.

Wprowadzenie do systemu kompensatorów, ze względu na ich znaczące moce znamionowe, musi być poprzedzone odpowiednią analizą ich oddziaływania na system elektroenergetyczny. Zadanie to realizowane jest w postaci modelowania komputerowego, odzwierciedlającego pracę systemu wraz z nowym urządzeniem. Wiarygodność uzyskanych w tym procesie wyników jest uzależniona od dokładności odzwierciedlenia systemu elektroenergetycznego, jak również nowego obiektu, jakim jest kompensator.

Niniejszy artykuł zawiera syntetyczny opis wybranych sposobów modelowania kompensatorów energoelektronicznych, należących do grupy urządzeń FACTS. Omówione szerzej w tym referacie modele zostały wykorzystane w badaniach symulacyjnych, prowadzonych w programach PLANS oraz DlgSILENT PowerFactory.

### 2. Rodzaje kompensatorów

Kompensatory bocznikowe, spotykane w systemach elektroenergetycznych, możemy podzielić na dwie podstawowe grupy: elektromaszynowe oraz statyczne. Znaczenie tych pierwszych, które stanowią regulowane maszyny synchroniczne, ze względu na coraz rzadsze ich stosowanie jest bardzo małe. Kompensatory statyczne są natomiast powszechnie stosowane w systemach zasilania na całym świecie. Wśród kompensatorów statycznych wyróżniamy kompensatory klasyczne, w których do

prowadzenia procesów łączeniowych wykorzystuje się łączniki elektromechaniczne, oraz kompensatory energoelektroniczne, w których zastosowanie znalazły układy energoelektroniczne.

Kompensatory energoelektroniczne stanowią układy typu SVC (ang. *Static VAR Compensator*) oraz układy STATCOM (ang. *Static Compensator*).

Układy kompensatorów typu SVC budowane są z następujących modułów:

- TSC (ang. *Thyristor Switched Capacitor*) – kondensatory załączane tyrystorowo
- TSR (ang. *Thyristor Switched Reactor*) – dławiki załączane tyrystorowo
- TCR (ang. *Thyristor Controlled Reactor*) – dławiki o tyrystorowo regulowanej indukcyjności
- FC (ang. *Fixed Capacitors*) – stałe baterie kondensatorów, do tych układów zalicza się również filtry wyższych harmonicznych o charakterze pojemnościowym.

Nazwy stosowanych kompensatorów SVC wywodzą się od zastosowanych w ich strukturze modułów. Stąd wyróżniamy następujące podstawowe podtypy: TSC, TSR, TCR, TCR-FC, TCR-TSC, TCR-TSC-FC i TSR-TSC (TCR i TCR-TSC nie są stosowane w praktyce). Tylko układy SVC zawierające w swojej strukturze element TCR mogą prowadzić regulację w sposób ciągły.

W zakresie układów STATCOM wyróżniamy dwie podstawowe konstrukcje. Najbardziej rozpowszechnioną jest oparta na przekształtniku VSI (ang. *Voltage Source Inverter*), czyli przetwornicy napięcia. Natomiast układów STATCOM zbudowanych z wykorzystaniem przetwornicy prądu CSI (ang. *Current Source Inverter*) w systemie elektroenergetycznym nie spotkamy. Obie konstrukcje są w stanie prowadzić regulację w sposób ciągły.

Najmłodszą grupę kompensatorów energoelektronicznych stanowią układy hybrydowe, powstałe w wyniku połączenia w jednej konstrukcji obu prezentowanych powyżej rozwiązań. Z racji swojej budowy można je określić mianem SVC na bazie STATCOM. Wynika to z tego, że struktura układu przypomina SVC z tą tylko różnicą, że element TCR został w niej zastąpiony układem STATCOM.

Układy kompensatorów energoelektronicznych mogą pracować, wykorzystując jedno z kryteriów regulacji: regulację napięcia,

regulację mocy biernej, regulację współczynnika mocy i tłumienie oscylacji mocy [8]. Dla sieci przesyłowych podstawowym stosowanym kryterium regulacji w stanach ustalonych jest regulacja napięcia. Bardziej szczegółowo układy energoelektronicznych kompensatorów bocznikowych zostały zaprezentowane np. w [3].

### 3. Modele statyczne

Modelując układy kompensatorów energoelektronicznych z uwzględnieniem analizy rozplądowej, należy brać pod uwagę specyfikę tych układów w stanach ustalonych. Zarówno kompensatory SVC o regulacji ciągłej, jak i STATCOM w stanach ustalonych w zakresie regulacji zachowują się w identyczny sposób, dlatego też dla takiego zakresu pracy mogą być modelowane w taki sam sposób.

Zachowanie tych układów poza zakresem regulacji jest już jednak różne. Moc bierna układu SVC jest zależna od kwadratu napięcia zasilającego, natomiast moc bierna STATCOM zależy od wartości napięcia. Tym samym np. przy obniżonych wartościach napięć zasilających układ SVC ma większe ograniczenie w zakresie dostarczanej mocy biernej niż układ STATCOM – takie zachowanie układów wymaga różnego podejścia do modelowania ich pracy poza zakresem regulacji (czyli przy zawyżonych lub zaniżonych wartościach napięć).

#### 3.1. Modelowanie układu SVC

Kompensator SVC może być w systemie elektroenergetycznym widziany jako podłączona w określonym węzle systemu zmienna susceptancja, której charakter, zależny od aktualnegoysterowania, jest pojemnościowy lub indukcyjny. Susceptancja takiego układu jest wypadkową wartością członów pojemnościowych, indukcyjnych i filtrów wyższych harmonicznych wchodzących w skład kompensatora (jeśli są zainstalowane). Jedynie w szczególnym przypadkuysterowania członów indukcyjne i pojemnościowe się równoważą, co może być postrzegane z punktu widzenia susceptancji układu tak samo jak całkowite wyłączenie. W takim przypadku kompensator SVC pobiera z systemu niewielką moc czynną, związaną z powstającymi w nim stratami (co przy modelowaniu można pominąć).

Jednym ze sposobów modelowania może być „rozbicie” modelu na modele poszczególnych członów, wchodzących w skład odzwierciedlanego kompensatora SVC. I tak pojemności załączone na stałe o łącznej pojemności  $C$  można zamodelować jako susceptancję o wartości wynikającej z zależności

$$B_C = \omega C \quad (1)$$

gdzie:  $\omega$  – pulsacja.

Wypadkową wartość susceptancji członów pojemnościowych TSC możemy wyrazić jako:

$$B_{TSC} = \omega C_{\Sigma zal} \quad (2)$$

gdzie:

$C_{\Sigma zal}$  – sumaryczna pojemność wszystkich załączonych w danej chwili do pracy sekcji TSC.

W celu uproszczenia modelu elementy o pojemności załączonej na stałe możemy traktować jako jeden z członów TSC o określonej pojemności.

Członami o charakterze indukcyjnym w układzie SVC są elementy TSR i TCR. Chocóż struktura tych układów jest podobna, to jednak różny jest sposób sterowania. Susceptancję układu TSR zapisujemy w postaci:

$$B_{TSR} = -\frac{1}{\omega L_{zal}} \quad (3)$$

gdzie:

$L_{zal}$  – sumaryczna indukcyjność wszystkich załączonych w danej chwili do pracy sekcji.

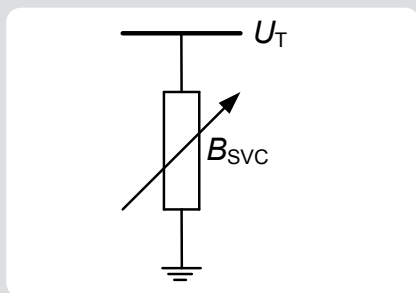
Natomiast susceptancję układu TCR, która jest zależna od wartości kąta wysterowania łączników tyrystorowych, opisujemy jako:

$$B_{TCR} = -\frac{2(\pi - \alpha) + \sin(2\alpha)}{\pi \omega L_{TCR}} \quad (4)$$

gdzie:

$L_{TCR}$  – indukcyjność dławików układu TCR,  
 $\alpha$  – kąt zapłonu tyrystorów.

Układ kompensatora SVC można też zamodelować jako jeden element, którym jest zmienna susceptancja włączona do układu zasilania bocznikowo [2, 5]. Sposób takiego modelowania odzwierciedla rys. 1.



Rys. 1. Model układu SVC w postaci zmiennej susceptancji

Susceptancję układu można modelować bezpośrednio jako wielkość zmienną lub uzależnić ją od wartości kąta wysterowania tyrystorów układu TCR i liczby załączonych sekcji TSC. Prąd pobierany przez układ jest opisany jako:

$$I_{SVC} = U_T \cdot B_{SVC} \quad (5)$$

gdzie:  $U_T$  – napięcie w punkcie przyłączenia.

Moc bierną układu opisuje zależność:

$$Q_{SVC} = U_T^2 \cdot B_{SVC} \quad (6)$$

Zmiana wartości susceptancji umożliwia sterowanie zarówno wartością napięcia w punkcie przyłączenia, jak poziomem mocy biernej.

Susceptancja układu SVC jest wypadkową susceptancji wszystkich członów, które pracują względem siebie równolegle. W celu uproszczenia rozważań przyjęto, że układ kompensatora zbudowany jest z baterii TSC i dławika TCR. Opis susceptancji tych elementów przedstawiają równania 2 i 4. Zastępczą susceptancję układu SVC typu TCR-TSC można więc zapisać jako:

$$B_{SVC}(\alpha) = B_{TSC} + B_{TCR} = \omega C_{zal} - \frac{2(\pi - \alpha) + \sin(2\alpha)}{\pi \omega L_{TCR}} \quad (7)$$

Omówione sposoby modelowania pozwalają na odzwierciedlenie całego układu SVC, ale bez wyszczególniania w tym modelu transformatora. Transformator w takim modelu można uwzględnić z pewnym uproszczeniem jako korektę parametru  $B_{SVC}$ . Ponieważ niekiedy wskazane jest wierniejsze odzwierciedlenie transformatora, to do modelu należy wprowadzić takie jego parametry jak rezystancja  $R_{Tr}$  i reaktancja  $X_{Tr}$ . Admitancję układu SVC z transformatorem ( $Y_{Tr-SVC}$ ) opisują zależności:

$$Y_{Tr-SVC}(\alpha) = \frac{Y_{Tr} \cdot Y_{SVC}}{Y_{Tr} + Y_{SVC}} \quad (8)$$

$$G_{Tr-SVC} = \frac{R_{Tr}}{R_{Tr}^2 + X_{Tr-SVC}^2} \quad (9)$$

$$B_{Tr-SVC} = -\frac{X_{Tr-SVC}^2}{R_{Tr}^2 + X_{Tr-SVC}^2} \quad (10)$$

$$X_{Tr-SVC} = X_{SVC} + X_{Tr} \quad (11)$$

$$X_{SVC} = \frac{1}{B_{SVC}} \quad (12)$$

gdzie:

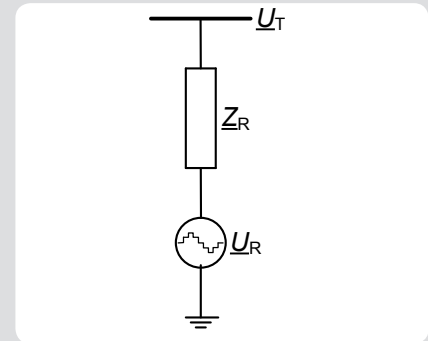
$Y_{Tr}$  – admitancja transformatora  
 $Y_{SVC}$  – admitancja wypadkowa elementów kompensatora (bez transformatora).

### 3.2. Modelowanie układu STATCOM

Kompensator STATCOM w systemie widziany jest jako źródło napięcia przemiennego o regulacji ciągłej, które do systemu zasilania przyłączone jest za pośrednictwem transformatora WN/SN. Taki sposób postrzegania jest możliwy dzięki zastosowaniu w konstrukcji tego urządzenia przekształtnika z tyrystorami GTO, który po

stronie napięcia wyprostowanego obciążony jest pojemnością.

W badaniach modelowych kompensator STATCOM można odzwierciedlić w postaci obwodu zastępczego, składającego się z idealnego źródła napięcia przemiennego, połączonego szeregowo z impedancją [1, 7, 9]. Ideę tę zaprezentowano na rys. 2.



Rys. 2. Model układu STATCOM

Napięcie  $U_R$  opisane jest zależnością:

$$U_R = U_R \cdot (\cos \delta_R + j \sin \delta_R) \quad (13)$$

gdzie:

$\delta_R$  – kąt fazowy napięcia  $U_R$ .

Moc pozorną powyższego układu opisuje zależność:

$$S_R = U_R \cdot Y_R^* \cdot (U_R^* - U_T^*) \quad (14)$$

gdzie:

$Y_R$  – admitancja wynikająca z impedancji  $Z_R$ .

Powyższy model można opisać równaniami obrazującymi przepływ mocy, jak to zaprezentowano w [1]. Model ten pozwala na określenie mocy dostarczanej do szyn przyłączenia (indeks  $T$ ) oraz mocy przekształtnika (indeks  $R$ ).

$$P_T = U_T^2 G_R + U_T U_R [G_R \cos(\theta_T - \delta_R) + B_R \sin(\theta_T - \delta_R)] \quad (15)$$

$$Q_T = -U_T^2 B_R + U_T U_R [G_R \sin(\theta_T - \delta_R) - B_R \cos(\theta_T - \delta_R)] \quad (16)$$

$$P_R = U_R^2 G_R + U_R U_T [G_R \cos(\delta_R - \theta_T) + B_R \sin(\delta_R - \theta_T)] \quad (17)$$

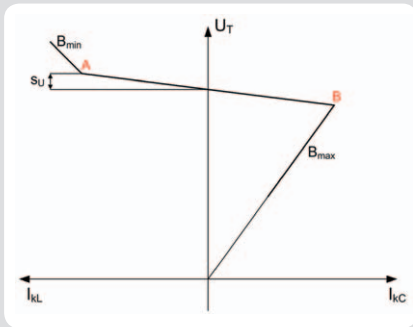
$$Q_R = -U_R^2 B_R + U_R U_T [G_R \sin(\delta_R - \theta_T) - B_R \cos(\delta_R - \theta_T)] \quad (18)$$

gdzie:

$G_R$  – konduktancja  
 $B_R$  – susceptancja wynikające z admitancji  $Y_R$ .

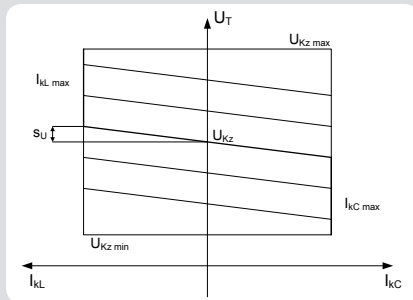
### 3.3. Model statyczny kompensatora ergoelektronicznego

Przy modelowaniu statycznym ważne jest prawidłowe odzwierciedlenie charakterystyki danego kompensatora. W zależności od potrzeb model może odzwierciedlać całą charakterystykę lub tylko pewne jej części. Przykładową charakterystykę statyczną układu SVC przedstawiono na rys. 3, a układu STATCOM na rys. 4.



Rys. 3. Charakterystyka statyczna układu SVC:  $s_U$  – statyzm kompensatora,  $U_T$  – napięcie w punkcie przyłączenia,  $I_k$  – prąd kompensatora ( $I_L$  – indukcyjny,  $C$  – pojemnościowy)

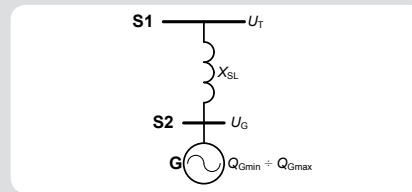
Kierując się charakterystyką statyczną kompensatora, można go w programie rozpluwowym zamodelować jako węzeł typu PU (stała moc czynna, stałe napięcie), który jest połączony z węzłem typu PQ (stała moc czynna, stała moc bierna) za pośrednictwem reaktancji indukcyjnej [8]. W zakresie regulacyjnym kompensatora, czyli ograniczonym z jednej strony maksymalną mocą bierną indukcyjną, a z drugiej maksymalną mocą bierną pojemnościową, układ taki będzie dostarczał/pobierał moc bierną z systemu zasilania w zależności od aktualnego stanu systemu i zadanej wartości napięcia. W momencie, gdy osiągnięte zostanie ograniczenie, model taki będzie widoczny jako przyłączona w danym punkcie systemu stała moc bierna pojemnościowa lub indukcyjna, w zależności od tego, które z ograniczeń zostało osiągnięte. Wprowadzenie reaktancji indukcyjnej do modelu pozwala na odzwierciedlenie statyzmu charakterystyki kompensatora.



Rys. 4. Charakterystyka statyczna urządzenia STATCOM:  $U_{Kzmax}$ ,  $U_{Kzmin}$  – górne i dolne ograniczenie napięciowe,  $I_{kLmax}$ ,  $I_{kCmax}$  – ograniczenie prądowe związane z prądem członu indukcyjnego i pojemnościowego,  $U_{Kz}$  – napięcie zadane

Rozwinięciem tego sposobu modelowania jest odzwierciedlenie kompensatora za pomocą modelu generatora z przyłączoną do niego szeregowo reaktancją indukcyjną [4, 6]. Ten sposób modelowania można wykorzystać w różnych programach rozpluwowych. Wprowadzenie odpowiednich ograniczeń w zakresie generacji mocy biernej do generatora pozwala na oddanie dostępnego zakresu mocy biernej kompensatora, a przyłączona reaktancja umożliwia zamodelowanie statyzmu charakterystyki statycznej opisującej dany kompensator.

Taki sposób modelowania prezentuje rys. 5.



Rys. 5. Schemat modelu kompensatora – model generatorowy z reaktancją: S1 – szyna przyłączeniowa kompensatora do systemu,  $X_{SL}$  – reaktancja modelująca statyzm, S2 – szyna generatora, G – generator,  $U_G$  – napięcie generatora

Model takiego typu bazuje w pełni tylko na części charakterystyki statycznej, która odzwierciedla zakres regulacyjny. Sam model składa się z wyidealizowanego modelu generatora, który do systemu jest przyłączony za pośrednictwem szeregowo reaktancji (np. może to być uproszczony model linii uwzględniający tylko jej reaktancję). Do modelu generatora należy wprowadzić zakres dopuszczalnych zmian mocy biernej, który zależy jest od zakresu regulacyjnego kompensatora. Zakres ten wyznaczamy jako:

$$Q_{Gmin} = Q_{Kmin} \quad (19)$$

$$Q_{Gmax} = Q_{Kmax} \quad (20)$$

gdzie:

$Q_{Kmin}$  – moc członu indukcyjnego kompensatora (minimalna)

$Q_{Kmax}$  – moc członu pojemnościowego kompensatora (maksymalna).

W generatorze należy też ustawić napięcie zadane  $U_G$ , które odpowiada napięciuadanemu kompensatora:

$$U_G = U_{Kz} \quad (21)$$

gdzie:

$U_{Kz}$  – napięcie zadane kompensatora.

W prezentowanym modelu moc generatora przepływa przez łączącą go z systemem elektroenergetycznym reaktancję  $X_{SL}$ . Zadaniem tej reaktancji jest umożliwienie odzwierciedlenia w modelu statyzmu charakterystyki kompensatora. Wartość tej reaktancji wyznaczana jest z zależności:

$$X_{SL} = \frac{s_U \cdot U_{Kn}^2}{S_{Kn}} \quad (22)$$

gdzie:

$U_{Kn}$  – napięcie znamionowe kompensatora

$S_{Kn}$  – moc znamionowa kompensatora

$s_U$  – statyzm kompensatora wyrażony w jednostkach względnych.

Przy prawidłowym wyznaczeniu parametrów modelu kompensatora, dla stanu, w którym kompensator nie pobiera i nie dostarcza do systemu mocy biernej, spełniona jest zależność:

$$U_T = U_{Kz} \quad (23)$$

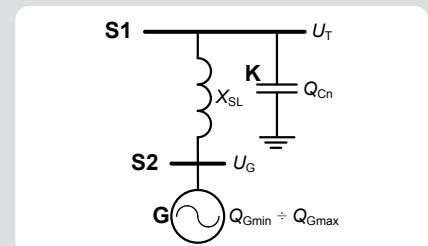
Opisywany model jest prosty i bardzo dobrze oddaje zachowanie kompensatora

zarówno SVC, jak i STATCOM, ale tylko w zakresie regulacyjnym obu tych jednostek. Poza tym zakresem model zachowuje się zupełnie inaczej, niż zrobiłoby to każdy z tych kompensatorów, a to tego model będzie utrzymywał stałą generację lub pobór mocy biernej (w zależności od tego, które z ograniczeń zostało przekroczone), tak jak ma to miejsce w generatorze.

Wynika z tego, że model ten posiada dość poważne ograniczenie w zastosowaniu, gdyż może być wykorzystany jedynie w tych badaniach modelowych, w których odzwierciedlane kompensatory nie wykraczają w czasie pracy poza określony dla nich zakres regulacji. Gdy parametry modelowanego obwodu wymuszają działanie kompensatora poza jego zakresem regulacji, uzyskane wyniki będą obciążone istotnym błędem, tym większym, im dalej znajdzie się kompensator od zakresu regulacji, przy czym błędy te będą większe, z racji specyfiki kompensatorów, dla układu SVC niż dla STATCOM.

Zakres zastosowania tego modelu można rozszerzyć poprzez wprowadzenie do niego dodatkowych elementów.

Pierwsza z modyfikacji pozwala na dobre zamodelowanie kompensatorów w zakresie części regulacyjnej, jak również poza zakresem regulacji przy niskich wartościach napięć, a więc gdy kompensator pracuje w trybie pojemnościowym. Jednakże w tym przedziale model ten dobrze oddaje jedynie zachowanie układu SVC. Wprowadzona modyfikacja polega na włączeniu w strukturę modelu określonej pojemności, tak jak obrazuje to rys. 6.



Rys. 6. Schemat modelu kompensatora – model generatorowy z reaktancją i baterią kondensatorów: S1 – szyna przyłączeniowa kompensatora do systemu,  $X_{SL}$  – reaktancja modelująca statyzm, S2 – szyna generatora, G – generator, K – bateria kondensatorów,  $Q_{Cn}$  – moc znamionowa kondensatorów,  $U_G$  – napięcie generatora

Wprowadzona zmiana wymusza nieco inny sposób określania niektórych parametrów modelu. I tak, wprowadzany zakres dopuszczalnych zmian mocy biernej generatora, zależy od zakresu regulacyjnego kompensatora, wyznacza się zgodnie z zależnościami:

$$Q_{Gmin} = Q_{Kmin} - Q_{Kmax} \quad (24)$$

$$Q_{Gmax} = 0 \quad (25)$$

Napięcie zadane w generatorze wyznacza się z zależności:

$$U_G = \frac{U_{Kz} \cdot S_{Kn}}{S_{Kn} + s_U \cdot Q_{Kmax}} \quad (26)$$

Zmianie ulega również sposób wyznaczenia wartości reaktancji  $X_{SL}$ . Wartość tej reaktancji wyznaczamy z zależności:

$$X_{SL} = \frac{s_U \cdot U_{Kn}^2}{S_{Kn} \cdot (1 + s_U)} \quad (27)$$

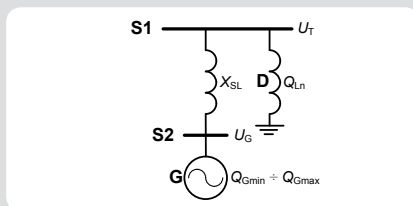
Wartość wprowadzonej pojemności należy tak dobrać, aby osiągnięta przez nią moc bierna znamionowa miała wartość równą mocy biernej członu pojemnościowego kompensatora.

$$Q_{Cn} = Q_{Kmax} \quad (28)$$

Moc bierna całego kompensatora wynika z mocy biernej układu generatora i szeregowej reaktancji  $X_{SL}$  oraz mocy kondensatora. Przy prawidłowym wyznaczeniu parametrów modelu kompensatora, dla stanu, w którym kompensator nie pobiera i nie dostarcza do systemu mocy biernej, spełniona jest równość opisana równaniem 23. Model ten dobrze oddaje zachowanie kompensatora typu SVC w zakresie regulacyjnym, jak i przy niskich wartościach napięć w systemie. Ograniczeniem modelu jest to, że nie jest on w stanie poprawnie oddawać zachowania układu SVC przy wyższych wartościach napięć (spoza zakresu regulacji), czyli dla tych, w których kompensator pracuje jako dławik załączony na stałe. Ten rodzaj modelu może być więc wykorzystany do badań zachowania systemu w stanach silnych obciążeń, jak również przy modelowaniu awarii napięciowych charakteryzujących się niskimi wartościami napięć (np. zjawisko lawiny napięcia).

Model ten można wykorzystać w badaniach dotyczących zastosowania kompensatora typu STATCOM, ale trzeba pamiętać, że poprawnie zachowa się on tylko w zakresie regulacji tego kompensatora.

Druga z modyfikacji pozwala na dobre zamodelowanie kompensatorów w zakresie części regulacyjnej, jak również poza zakresem regulacji przy wysokich wartościach napięć, a więc gdy kompensator pracuje w trybie indukcyjnym. Jednakże w tym przedziale model ten dobrze oddaje jedynie zachowanie układu SVC. Wprowadzona modyfikacja polega na włączeniu w strukturę modelu określonej indukcyjności, tak jak obrazuje to rys. 7.



Rys. 7. Schemat modelu kompensatora – model generatorowy z reaktancją i dławikiem: S1 – szyna przylączeniowa kompensatora do systemu,  $X_{SL}$  – reaktancja modelująca statyzm, S2 – szyna generatora, G – generator, D – dławik,  $Q_{Ln}$  – moc znamionowa dławika,  $U_G$  – napięcie generatora

Podobnie jak w poprzedzającym modelu, także tu wprowadzona zmiana wymusza nieco inny sposób określania niektórych parametrów modelu. Zakres dopuszczalnych zmian mocy biernej generatora w tym przypadku wyznaczany jest z zależności:

$$Q_{Gmin} = 0 \quad (29)$$

$$Q_{Gmax} = Q_{Kmax} - Q_{Kmin} \quad (30)$$

Natomiast napięcie zadane w generatorze wyznacza się z zależności:

$$U_G = \frac{U_{Kz} \cdot S_{Kn}}{S_{Kn} + s_U \cdot Q_{Kmin}} \quad (31)$$

Wartość wprowadzonej indukcyjności należy tak dobrać, aby osiągnięta przez nią moc bierna znamionowa miała wartość równą mocy biernej członu indukcyjnego kompensatora:

$$Q_{hi} = Q_{Kmin} \quad (32)$$

Moc bierna całego kompensatora wynika z mocy biernej układu generatora i szeregowej reaktancji  $X_{SL}$  oraz mocy dławika. Przy prawidłowym wyznaczeniu parametrów modelu kompensatora, dla stanu, w którym kompensator nie pobiera i nie dostarcza do systemu mocy biernej, spełniona jest równość opisana równaniem 23. Model ten dobrze oddaje zachowanie kompensatora typu SVC w zakresie regulacyjnym, jak i przy wysokich wartościach napięć w systemie. Ograniczeniem modelu jest to, że nie jest on w stanie poprawnie oddawać zachowania układu SVC przy niższych wartościach napięć (spoza zakresu regulacji), czyli dla tych, w których kompensator pracuje jako kondensator załączony na stałe. Ten rodzaj modelu może być więc wykorzystany do badań zachowania systemu w stanach słabego obciążenia (np. dolina nocna).

Model ten można wykorzystać w badaniach dotyczących zastosowania w systemie kompensatora typu STATCOM, ale trzeba pamiętać, że poprawnie zachowa się on tylko w zakresie regulacji tego kompensatora. Na potrzeby obliczeń statycznych można wykorzystać też niektóre modele dynamiczne.

#### 4. Modele dynamiczne

##### 4.1. Model dynamiczny układu SVC

Kompleksowy model dynamiczny układu SVC zawiera w swojej strukturze modele transformatora WN/SN, szyny SN, do których przyłączone są moduły TSC, TSR, TCR i FC. Elementem regulującym pracę całego układu jest regulator SVC.

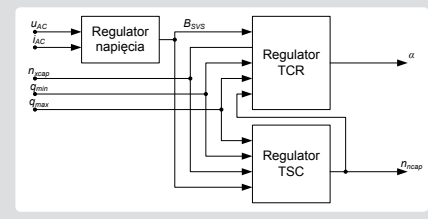
Duża część programów symulacyjnych zawiera gotowe wbudowane modele transformatorów, które w takim modelu można wykorzystać. Parametry transformatora należy dobrać do modelowanego układu SVC (moc) oraz do napięć w węzle przyłączenia.

Istotnym elementem modelu są filtry wyższych harmonicznych i stałe baterie kondensatorów (moduł FC). W celu ich odzwierciedlenia do szyn SN w modelu podłącza się elementy RLC z odpowiednio dobranymi parametrami. Elementy te nie są poddawane sterowaniu.

Elementy TCR, TSC i TSR wymagają w swojej strukturze (przy dokładniejszym modelowaniu) uwzględnienia elementów półprzewodnikowych. Część programów symulacyjnych zawiera gotowe moduły pozwalające na zamodelowanie tych elementów, w innych trzeba łączyć ze sobą elementy LC z modelami łączników półprzewodnikowych. Dostępne modele dynamiczne półprzewodników w programach symulacyjnych z reguły są wystarczające do potrzeb zamodelowania układu

SVC i nie trzeba opracowywać własnych. W przypadku elementu TCR musimy w nim sterować kątem zapłonu tyrystorów (od tego bowiem uzależniona jest wartość suscceptancji układu TCR), natomiast w przypadku elementów TSR i TSC przesyłamy do nich sygnały załącz/wyłącz.

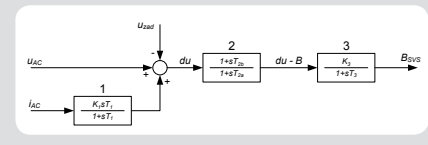
Moduły, które są sterowane, „zespala” ze sobą regulator układu SVC. Bloki wchodzące w skład tego regulatora są uzależnione od odwzorowywanego rodzaju układu SVC. Ponieważ za standardowy, z punktu widzenia sieci przesyłowej, uważa się układ SVC, zawierający w swojej strukturze elementy typu TCR i TSC, to regulator takiego układu zostanie dalej omówiony. Strukturę przykładowego regulatora zaprezentowano na rys. 8.



Rys. 8. Regulator układu SVC typu TCR-TSC

Do regulatora wprowadzane są sygnały wartości względnej napięcia w punkcie przyłączenia kompensatora ( $u_{AC}$ ), wartości względnej prądu kompensatora ( $i_{AC}$ ) mierzonego po stronie wtórnej transformatora WN/SN, stanowiącego jeden z elementów modelu kompensatora, oraz sygnały informujące o liczbie dostępnych (zainstalowanych) członów TSC ( $n_{xcap}$ ), mocy pojedynczego członu TSC ( $q_{min}$ ) i mocy członu TCR ( $q_{max}$ ). Sygnałami wyjściowymi jest kąt załączenia tyrystorów TCR ( $\alpha$ ) oraz liczba aktualnie załączonych członów TSC ( $n_{ncap}$ ). W obrębie regulatora SVC wyróżnione zostały: blok regulacji napięcia (regulator napięcia), blok sterowania TCR (regulator TCR) i blok sterowania TSC (regulator TSC).

Na rys. 9 zaprezentowana została struktura regulatora napięcia w układzie SVC.



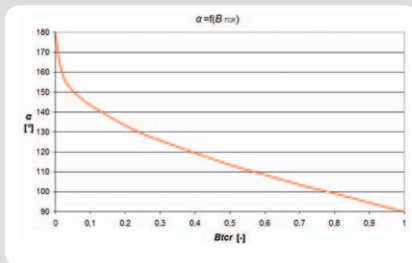
Rys. 9. Regulator napięcia układu SVC

Zadaniem regulatora jest kontrola napięcia w punkcie przyłączenia kompensatora. Poprzez porównanie wartości bieżącej napięcia z wartością zadaną określany jest w regulatorze uchyb napięcia i na podstawie jego wartości regulator określa, jaką wartość suscceptancji powinien mieć kompensator, aby ten uchyb skompensować. Wartość napięcia zadanego wprowadzana jest do modelu regulatora napięcia przez użytkownika. Zarówno wartości napięć, jak i wartości suscceptancji wyrażone są w jednostkach względnych. Dodatkowym elementem jest sprzężenie od prądu kompensatora, które uaktywnia się przede wszystkim w stanach dynamicznych i oddziałuje na układ poprzez wprowadzanie dodatkowego uchybu regulacji napięcia.

W strukturze regulatora napięcia widoczne są trzy bloki. Pierwszy z nich (1) jest członem korekcyjnym od prądu kompensatora. Drugi (2) to człon korekcyjny napięcia, a trzeci (3) – człon inercyjny. Wzmocnienie członu inercyjnego odzwierciedla statyzm układu. Sygnałem wyjściowym z regulatora napięcia jest wartość susceptancji układu SVC ( $B_{SVS}$ ), wyrażonej w jednostkach względnych, jaką powinien osiągnąć kompensator.

Zadaniem regulatora TCR jest takie wysterowanie kąta zapłonu tyrystorów w module TCR, aby osiągnąć wymaganą względną wartość susceptancji kompensatora, z uwzględnieniem liczby załączonych sekcji TSC.

Pewnym utrudnieniem przy modelowaniu jest to, że zależność kąta zapłonu tyrystorów w funkcji susceptancji jest nieliniowa. Ponieważ nie dysponowano gotową zależnością  $\alpha = f(B_{TCR})$ , to funkcję tę wyznaczono na potrzeby modelowania i wykorzystano w opracowanym modelu regulatora SVC. Jej kształt zaprezentowano na rys. 10.



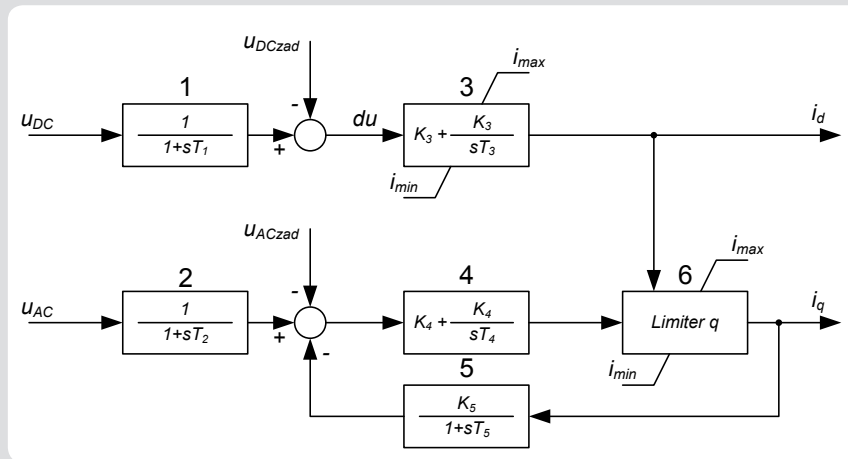
Rys. 10. Zależność kąta zapłonu tyrystorów od wartości susceptancji dławika TCR

Zadaniem regulatora TSC jest kontrola i korekta liczby załączonych baterii TSC, w zależności od wymaganej wartości susceptancji  $B_{SVS}$  kompensatora. Regulator w swojej strukturze zawiera algorytm sterowania bateriami TSC, który spełnia kilka funkcji, np. może nie pozwolić na równoczesne przełączenie kilku sekcji, z równoczesnym wymuszeniem przełączania pojedynczych sekcji TSC z zachowaniem pomiędzy kolejnymi przełączeniami wymaganego czasu, nie mniejszego niż wynosi czas wyłączenia/załączenia pojedynczej sekcji TSC, czyli czas odpowiadający jednemu okresowi przebiegu napięcia zasilającego. W celu oddania pracy układu TSC konieczne jest też utrzymanie minimalnego czasu pomiędzy załączeniem i wyłączeniem tej samej sekcji TSC (regulator napięcia może próbować wymusić bardzo szybkie naprzemienne zmiany susceptancji układu w czasie szybkozmiennych stanów przejściowych zachodzących w sieci zasilającej). Algorytm można modyfikować w zależności od potrzeb.

Regulator, jeżeli sam model modułu TSC takiej funkcji nie ma, powinien zapewnić sterowanie łącznikami sekcji TSC umożliwiające wstępne naładowanie pojemności TSC.

#### 4.2. Model dynamiczny układu STATCOM

Kompleksowy model układu STATCOM zawiera w swojej strukturze modele takich elementów, jak transformator WN/SN, szyny SN, przekształtnik PWM, szyny DC oraz baterię kondensatorów.



Rys. 11. Regulator układu STATCOM

Podobnie jak w modelu SVC, także tutaj jednym z jego elementów jest transformator. Parametry transformatora należy dobrać do modelowanego układu STATCOM (moc) oraz do napięć w węzle przyłączenia.

Najważniejszym z elementów modelu układu STATCOM jest model przekształtnika i układu jego sterowania. Podobnie jak w przypadku transformatorów, w wielu programach symulacyjnych dostępne są gotowe modele przekształtników umożliwiające modelowanie stanów dynamicznych, co wyklucza potrzebę tworzenia własnego modelu. Ważne jest jednak, aby być zorientowanym w ograniczeniach takiego modelu. W modelu STATCOM przekształtnik obciążony jest po stronie napięcia wyprostowanego pewną pojemnością. Wartość jej dobieramy do modelowanego układu STATCOM. Należy tu zaznaczyć, że o wartości mocy znamionowej układu decyduje moc przekształtnika, natomiast wartość pojemności ma przede wszystkim wpływ na zachowanie układu w stanach szybkozmiennych.

Drugi z ważnych bloków to układ sterowania STATCOM. W tym przypadku sterujemy tylko jednym elementem – przekształtnikiem. Strukturę regulatora układu STATCOM zaprezentowano na rys. 11. Do układu sterowania STATCOM wprowadzane są sygnały pomiarowe napięcia w punkcie przyłączenia do sieci napięcia przemiennego ( $u_{AC}$ ) oraz wartość napięcia w obwodzie DC ( $u_{DC}$ ), wyrażone w jednostkach względnych. W regulatorze zadawane są wartości napięć, jakie układ ma utrzymywać w obwodzie AC ( $u_{ACzad}$ ) i DC ( $u_{DCzad}$ ). Sygnałami wyjściowymi regulatora są wartości prądu w osiach  $d$  ( $i_d$ ) i  $q$  ( $i_q$ ), wyrażone w jednostkach względnych, służące do odpowiedniego wysterowania przekształtnika.

Bloki 1 i 2 w modelu regulatora odzwierciedlają opóźnienie sygnałów pomiarowych napięć. Blok 3 pełni rolę regulatora napięcia w obwodzie DC, przy czym sygnał wyjściowy w postaci składowej prądu przekształtnika w osi  $d$  jest tak ograniczany, aby prąd nie przekroczył wartości dopuszczalnej dla przekształtnika. Blok 4 pełni taką samą rolę jak bloku 3, ale w obwodzie AC, a jego sygnał wyjściowy nie jest ograniczany w nim, lecz w kolejnym bloku (6), który pełni rolę ogranicznika

składowej prądu przekształtnika w osi  $q$ , w zależności od wartości składowej prądu w osi  $d$  i dopuszczalnej wartości prądu przekształtnika. Blok 5 znajduje się w pętli sprzężenia zwrotnego toru regulacji napięcia AC i pozwala m.in. na wprowadzenie statyzmu do modelu.

Przy opracowywaniu modelu układu kompensatora typu STATCOM wykorzystano możliwość sterowania przekształtnika w osiach  $d$  i  $q$ . W przeciwieństwie do układu SVC, gdzie regulacja dotyczyła tylko jednego parametru (napięcie w punkcie przyłączenia do sieci napięcia przemiennego), w układzie STATCOM istnieje konieczność kontrolowania wartości dwóch napięć: napięcia na pojemności w obwodzie DC oraz napięcia w punkcie przyłączenia do sieci zasilającej. Dlatego też w układzie regulacji mamy dwa tory. Pierwszy związany jest z regulacją napięcia w obwodzie DC, a drugi – AC. Regulacja napięcia w obwodzie DC związana jest z poborem mocy czynnej z systemu elektroenergetycznego, a więc należy tak sterować przekształtnikiem, aby regulować składową czynną prądu przekształtnika. Regulacja napięcia w punkcie przyłączenia do systemu elektroenergetycznego związana jest ze sterowaniem przepływu mocy biernej pomiędzy systemem a STATCOM. W tym przypadku należy tak sterować przekształtnikiem, aby regulować składową bierną prądu przekształtnika. Wartość prądu przekształtnika w osi  $d$  odpowiada składowej czynnej, a w osi  $q$  składowej biernej, dlatego też taki sposób sterowania wykorzystano przy opracowaniu modelu.

Układ STATCOM nie może poprawnie pracować, jeżeli dojdzie do rozładowania kondensatorów w obwodzie DC przekształtnika. Uwzględniając to, przyjęto jako nadrzędny tor regulacji napięcia w obwodzie DC. Ponieważ w pracy kompensatora ważnym ograniczeniem jest wartość prądu przekształtnika, stąd w modelu wprowadzono ograniczenia wartości składowych prądu przekształtnika w osi  $d$  i  $q$ . Uwzględniając, który z torów jest nadrzędny, uzależniono w modelu ograniczenie wartości składowej biernej od aktualnej wartości składowej czynnej prądu w taki sposób, aby nie dopuścić do

przekroczenia wartości dopuszczalnej prądu przekształtnika.

#### 5. Podsumowanie

Celem opracowania modeli statycznych kompensatorów było ich możliwie najlepsze odzwierciedlenie pod kątem obliczeń rozpliwowych, wykonywanych na różnych modelach sieci zasilających. Dążono do w miarę dokładnego odwzorowania kompensatorów połączonego z przystępną „obsługą” modeli. Celem osiągnięto w zakresie modelowania układu SVC w znacznym obszarze stanów jego pracy, natomiast dla układu STATCOM tylko dla zakresu regulacji.

Celem opracowania modeli dynamicznych było prowadzenie analiz pracy układów zasilania w stanach przejściowych. Cechą tych modeli jest to, że umożliwiają zamodelowanie kompensatorów o różnych parametrach. W modelu użytkownik sam może dobrać transformator i moc urządzenia, a także wpływać na jego dynamikę poprzez odpowiedni dobór parametrów. Istnieje też możliwość bezpośredniej ingerencji w algorytm sterowania.

Zaprezentowane modele zostały wykorzystane w badaniach symulacyjnych, dotyczących analizy stanów pracy sieci elektroenergetycznej, prowadzonych w programach PLANS oraz DigSILENT PowerFactory.

#### Bibliografia

1. Acha E. i in., FACTS Modelling and Simulation in Power Networks, John Wiley & Sons, LTD.
2. Castro M.S. i in., Impacts of FACTS Controllers on Damping Power Systems Low Frequency Elektromechanical Oscillations, IEEE/PES Transmission & Distribution Conference & Exposition: Latin America 2004.
3. Kowalak R., Małkowski R., Energoelektroniczne kompensatory boczniowe jako sterowane źródła mocy biernej, *Acta Energetica* 2011, nr 1.
4. Mahdad B. i in., Strategy of Location and Control of FACTS Devices for Enhancing Power Quality, May 16–19, Benalmádena (Málaga), Spain, IEEE MELECON 2006.
5. Moghavvemi M., Faruque M.O., Effect of FACTS Devices on Static Voltage Stability, IEEE 2000.
6. Nabae A., Yamaguchi M., Suppression of Flicker in an Arc-Furnace Supply System by an Active Capacitance – A Novel Voltage Stabilizer in Power Systems, *IEEE Transactions on Industry Applications* 1995, Vol. 31, No. 1, January/February.
7. Padiyar K.R., Prabhu N., Design and Performance Evaluation of Subsynchronous Damping Controller With STATCOM, *IEEE Transactions on Power Delivery* 2006, Vol. 21, No. 3, July.
8. Zajczyk R., Modele matematyczne systemu elektroenergetycznego do badania elektromechanicznych stanów nieustalonych i procesów regulacyjnych, Gdańsk 2003.
9. Zhang X-P., Handschin E.J., Optimal power flow control by converter based FACTS controllers, AC-DC Power Transmission, 28–30 November 2001, Conference Publication No. 485 © IEE 2001.

#### Robert Kowalak

dr inż.

Politechnika Gdańska

e-mail: r.kowalak@ely.pg.gda.pl

Wychowanek Politechniki Gdańskiej. Pracuje w Katedrze Elektroenergetyki Wydziału Elektrotechniki i Automatyki Politechniki Gdańskiej na stanowisku adiunkta. Jego zawodowe zainteresowania obejmują: układy energoelektroniczne dużych mocy (FACTS, HVDC), modelowanie pracy układów energoelektronicznych w systemie elektroenergetycznym, współpracę układów zasilania z elektroenergetyką trakcyjną.