



Karol Daszkiewicz¹ · Wojciech Witkowski¹ ·
Stanisław Burzyński¹ · Jacek Chróścielewski

Robust four-node elements based on Hu–Washizu principle for nonlinear analysis of Cosserat shells

Received: 25 November 2018 / Accepted: 21 March 2019
© The Author(s) 2019

Abstract Mixed 4-node shell elements with the drilling rotation and Cosserat-type strain measures based on the three-field Hu–Washizu principle are proposed. In the formulation, apart from displacement and rotation fields, both strain and stress resultant fields are treated as independent. The elements are derived in the framework of a general nonlinear 6-parameter shell theory dedicated to the analysis of multifold irregular shells. The novelty of the developed elements stems from the fact that the measures of assumed strains and stress resultants are asymmetric. The original interpolation of drilling and bending components of strains and stress resultants is proposed. In the formulation of new mixed elements, two variants of the interpolation of membrane components are used and interpolation of the independent fields is defined in the natural or skew coordinates. Accuracy and efficiency of the developed elements are tested in several linear and nonlinear numerical examples. It is shown that smaller number of independent parameters in the interpolation of membrane components gives more accurate results. The proposed mixed 4-node elements enable the use of large load steps in nonlinear computations. Moreover, they require significantly less equilibrium iterations than other shell elements formulated in the 6-parameter shell theory.

Keywords Shell · Finite element · Mixed element · Cosserat · Asymmetric strains · Drilling rotation

1 Introduction

Thin-walled shell structures are widely used in different branches of industry, e.g. aircraft, automotive, civil engineering. However, these structures are very sensitive to loss of stability and local damage, like delamination, cracking, etc. The detailed and comprehensive nonlinear analysis (postbuckling, damage, plasticity) requires an appropriately refined finite element discretization. Hence, accuracy and efficiency of the shell element formulation play both essential roles in fast and correct design process of thin-walled shell structures. Moreover,

Communicated by Andreas Öchsner.

K. Daszkiewicz (✉) · W. Witkowski · S. Burzyński · J. Chróścielewski
Department of Mechanics of Materials and Structures, Faculty of Civil and Environmental Engineering,
Gdansk University of Technology, Narutowicza 11/12, 80-233 Gdańsk, Poland
E-mail: kardasz@pg.edu.pl

W. Witkowski
E-mail: wojwit@pg.edu.pl

S. Burzyński
E-mail: staburzy@pg.edu.pl

J. Chróścielewski
E-mail: jchrost@pg.edu.pl

the shape and topology optimization of shell structures lead to the shells with more complex geometry. The shell finite element is a crucial tool in accurate analysis of such structures that is still a demanding task.

Four-node shell finite elements are commonly used among engineers nowadays. The majority of commercial FEM systems offer such elements as a default tool in analysis of different mechanical problems. As it is well known, the classical pure displacement formulation with fully integrated matrices gives usually too stiff deformation for general shell problems due to shear and membrane locking. In commercial FEM codes, finite elements rely on reduced (or selective reduced) integration scheme to avoid locking phenomena. However, the problem of non-physical deformations of analysed structures appears in solutions obtained by the elements with reduced integration. Different techniques to mitigate spurious zero energy modes were proposed in the literature [1–3], but they only limit this effect. An alternative approach to deal with the locking phenomena is application of mixed hybrid finite elements. These elements are based on multifield variational principles and besides displacement field, stress field and/or strain field are treated as independent. The mixed hybrid elements are characterized by high accuracy and robustness and reduce substantially the locking effect; see, for instance, the review work [4]. For the first time, hybrid finite element with assumed stress field was introduced in the paper [5]. The element formulation was based on the complementary energy principle. In further works, see for instance [6], the Hellinger–Reissner variational principle was used in the formulation of hybrid stress elements. Pian and Sumihara [7] proposed 4-node plane stress element less sensitive to geometric distortion and providing accurate stress results.

The mixed shell elements were extensively developed in 1980s and 1990s. The approach of assumed stress resultants for membrane and bending components and the assumed natural strain (ANS) concept [8] for transverse shear components was used in formulation of mixed shell element in papers [9,10]. The mixed hybrid plate and shell elements with assumed strains based on the modified Hellinger–Reissner functional were described in [11,12]. The concept of enhanced assumed strains (EAS) defined on the element level was proposed in [13] and then developed in [14,15]. The works on the mixed hybrid shell elements were continued in twenty-first century. Wagner and Gruttmann presented robust 4-node shell elements based on three-field Hu–Washizu functional in papers [16,17]. The proposed mixed hybrid elements allow for very large increments (e.g. load steps) in elasto-plastic analysis and require significantly less equilibrium iterations in comparison with other shell elements. The effective shell elements with interpolation of assumed stress resultants and strains defined in skew coordinates were proposed in [18]. In these mixed Hu–Washizu elements, the drilling rotation was included in the formulation through the drilling rotation constraint equation. Four-node hybrid shell element based on the modified complementary energy functional almost insensitive to mesh distortions was described in [19]. Different methods of incorporating the drilling degree of freedom (DOF) in formulation of the EAS shell elements were compared in [20]. Mixed shell elements with the drilling DOF using the co-rotational kinematics concept were presented in [21–23]. Recently, some new shell and plate elements have been described in [24–29].

The mixed hybrid elements discussed here are developed in the framework of nonlinear 6-parameter shell theory, see for instance [30,31]. A characteristic feature of the nonlinear 6-parameter shell theory is the lack of symmetry of strain and stress resultant measures. The sixth parameter is the drilling rotation that is included in the formulation in the natural way. The theory is especially dedicated to analysis of irregular shell structures, containing, for instance, orthogonal self-intersections. From the theoretical viewpoint, the approach is statically and geometrically exact, since the preliminary postulates and simplifying assumptions are not needed. A kinematic model of the shell reference surface is formally equivalent to the Cosserat surface [32,33] with three rigidly rotating directors. The only assumptions are made during formulation of constitutive equations. Some of the recent results in this respect can be found in [34–38].

For the first time, hybrid plane stress elements with the assumed asymmetric stress field were proposed in papers [39,40]. However, these elements formulated based on the complementary energy principle yielded too stiff response in numerical tests, because of too rich assumed interpolation. Three new variants of interpolation of membrane stresses were described in [41]. However, only the variant with constant interpolation of the membrane shear components was used in the formulation of further two-dimensional assumed stress hybrid elements [42,43]. Sansour and Bednarczyk [44] proposed 4- and 9-node mixed shell elements with asymmetric assumed stress resultants. These elements were defined on the Cosserat surface and based on the two-field Hellinger–Reissner principle. The mixed hybrid shell elements with non-symmetrical interpolation of assumed strains and enhanced assumed strains were formulated in [45].

In the framework of the present shell theory, mixed and semi-mixed elements based on two-field variational principles were proposed in [31,46] and reformulated using the EAS concept in [47,48]. In [48], the ANS approach was applied for transverse shear components. In the shell elements mentioned above

[44,45,47,48], only the membrane and transverse shear components were treated as independent on the element level. Moreover, interpolation of assumed strain and stress resultant fields was defined only in the natural coordinates. The present paper introduces new approach to the idea of mixed shell elements within the framework of considered shell theory. The essential features and original aspects of the proposed shell elements are:

- For the first time, the mixed hybrid elements with asymmetric independent strain and stress resultant fields are formulated. The elements are based on the three-field Hu–Washizu functional, and here for the simplicity of considerations a linear elastic material model is used. The first part of strain interpolation is the same as for the stress resultants, while the second part is assumed orthogonal to the stress resultant shape functions, like in the enhanced strain formulation. The stress resultant and strain parameters are effectively eliminated on the element level.
- In this paper, the interpolation of asymmetric strains and stress resultants is defined in the natural and skew coordinates. The original interpolation matrices for drilling and bending components are proposed. The second part of strain field approximation from paper [17] is modified and generalized to the 6-parameter shell theory. The proper selection of interpolation functions for independent stress and strain fields plays crucial role in the element formulation. Here, two variants of interpolation matrices for asymmetric membrane components are tested.
- The accuracy of the proposed mixed shell elements is verified in several shell benchmark problems. The special attention is paid to examples with irregular mesh. The performed analyses show that the developed elements are robustness in nonlinear computations. They allow for large load steps and require significantly less equilibrium iterations than other elements formulated in the 6-parameter shell theory.

The family of mixed hybrid shell elements in the 6-parameter shell theory was introduced in doctoral thesis [49]. The preliminary results for two initial variants of mixed elements were presented in the conference proceedings [50]. Here, enhanced assumed strain approach is used only for membrane components, and new interpolation variant of drilling components is proposed. Moreover, detailed description of formulation of the mixed hybrid elements and the results for several numerical examples are presented.

2 Hu–Washizu functional in the nonlinear 6-parameter shell theory

The general nonlinear 6-parameter shell theory is developed in the mixed approach that is neither purely derived nor direct and was described, for example, in [51,52]. The theory accommodates naturally finite displacements and finite rotations and has the same kinematical structure as Cosserat rods, see [53]. The strong ellipticity condition and its weak form known as Hadamard inequality were discussed for the nonlinear 6-parameter shell theory in [54]. The formulation, implementation and computational aspects of the present shell theory have been extensively studied in [30,31,46,48,55–57] and references given there. Therefore, in this section only some aspects of the theory necessary to formulate the mixed hybrid elements are discussed. The special emphasis is placed on the Hu–Washizu principle serving as the basis for the weak statement of the developed elements.

The shell reference surface of Cosserat type is denoted by M in the undeformed configuration (Fig. 1). The shell boundary ∂M consists of the part ∂M_f with prescribed boundary tractions \mathbf{n}^* and couples \mathbf{m}^* , and the part ∂M_d with imposed boundary displacements. Typical point on the shell base surface M is described by the position vector \mathbf{x} and the structure tensor $\mathbf{T}_0 \in SO(3)$. The orthonormal basis $\{\mathbf{t}_i^0\}$ is defined by the tensor \mathbf{T}_0 , as a result of the orthogonal transformation of some global fixed basis $\{\mathbf{e}_i\}$

$$\mathbf{t}_i^0(\mathbf{x}) = \mathbf{T}_0(\mathbf{x})\mathbf{e}_i, \quad i = 1, 2, 3, \quad (1)$$

$$\mathbf{t}_\beta^0 = \mathbf{x}_{,\beta}, \quad \beta = 1, 2, \quad (\cdot)_{,\beta} = \frac{\partial(\cdot)}{\partial \zeta^\beta}, \quad \mathbf{t}^0 \equiv \mathbf{t}_3^0 = \mathbf{t}_1^0 \times \mathbf{t}_2^0, \quad (2)$$

where ζ^β are arc-length coordinates associated with the unit vectors \mathbf{t}_i^0 . The deformation of the shell reference surface $\mathbf{u} = (\mathbf{u}, \mathbf{Q})$ is described by the translation vector $\mathbf{u}(\mathbf{x})$ and the proper orthogonal tensor $\mathbf{Q}(\mathbf{x}) \in SO(3)$ specifying independent rotations of the vectors \mathbf{t}_i^0 . Hence, the position vector $\mathbf{y}(\mathbf{x})$ and the structure tensor $\mathbf{T}(\mathbf{x}) \in SO(3)$ at the current base surface of shell are computed in the following way (see [30,31,46])

$$\mathbf{y}(\mathbf{x}) = \mathbf{x} + \mathbf{u}(\mathbf{x}), \quad \mathbf{T}(\mathbf{x}) = \mathbf{Q}(\mathbf{x})\mathbf{T}_0(\mathbf{x}). \quad (3)$$

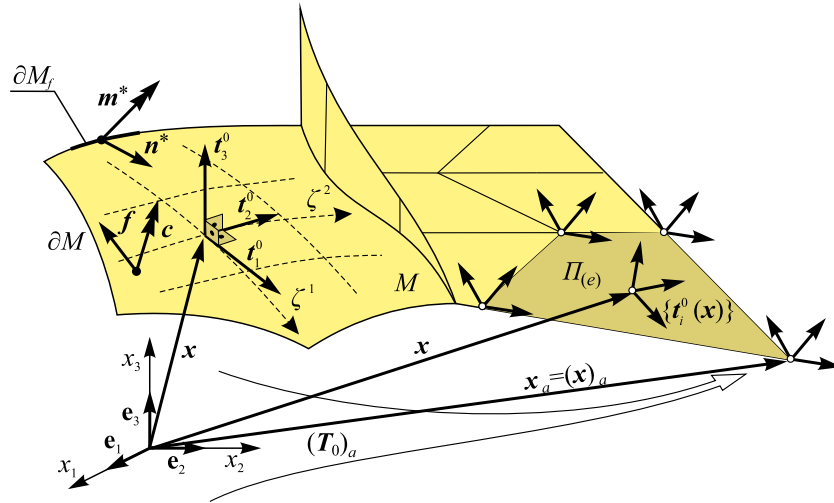


Fig. 1 The shell kinematics in the nonlinear 6-parameter theory

During deformation, the directors t_i^0 rotate to its current position

$$t_i(x) = Q(x)t_i^0 = Q(x)T_0(x)e_i = T(x)e_i. \quad (4)$$

We assume that the surface M (excluding intersection edges) is smooth enough to perform necessary mathematical operations, such as computation of the metric and curvature tensors. Correspondingly to the field of generalized displacements $\mathbf{u} = (\mathbf{u}, \mathbf{Q})$, there exists the field of virtual displacements $\mathbf{w} = (\mathbf{v}, \mathbf{w})$. The vector fields \mathbf{v} and \mathbf{w} may be interpreted as the kinematically admissible virtual translations and rotations, respectively, such that $\mathbf{v} = \mathbf{w} = 0$ on ∂M_d . They are defined as (see, e.g. [58])

$$\mathbf{v} \equiv \delta \mathbf{y}, \quad \mathbf{w} \equiv \text{ax}(\delta \mathbf{Q} \mathbf{Q}^T), \quad (5)$$

where δ is the symbol of virtual change (variation) and $\text{ax}(\mathbf{W})$ is the axial vector of the skew tensor \mathbf{W} . In order to parametrize the rotations, the canonical parametrization [59] is used for the tensor $\mathbf{Q}(\mathbf{x}) \in SO(3)$ and the vector \mathbf{w} is used in the spatial representation.

The natural strain measures on the Cosserat surface characteristic for the nonlinear 6-parameter shell theory [30,31,46] are defined as

$$\boldsymbol{\varepsilon}_\beta = \mathbf{y}_{,\beta} - \mathbf{t}_\beta = \mathbf{u}_{,\beta} + (\mathbf{1} - \mathbf{Q})\mathbf{t}_\beta^0, \quad (6)$$

$$\boldsymbol{\kappa}_\beta = \text{ax}(\mathbf{Q}_{,\beta} \mathbf{Q}^T). \quad (7)$$

The stretching vector $\boldsymbol{\varepsilon}_\beta$ and the bending vector $\boldsymbol{\kappa}_\beta$ in symbolic notation form together a column vector $\boldsymbol{\varepsilon}(\mathbf{u})$ of the compatible shell strains computed from the generalized displacement field \mathbf{u}

$$\boldsymbol{\varepsilon}(\mathbf{u}) = \begin{Bmatrix} \boldsymbol{\varepsilon}_\beta \\ \boldsymbol{\kappa}_\beta \end{Bmatrix} = \begin{Bmatrix} \boldsymbol{\varepsilon}_1(\mathbf{u}) \\ \boldsymbol{\varepsilon}_2(\mathbf{u}) \\ \boldsymbol{\kappa}_1(\mathbf{u}) \\ \boldsymbol{\kappa}_2(\mathbf{u}) \end{Bmatrix} = \begin{Bmatrix} \mathbf{u}_{,1} + (\mathbf{1} - \mathbf{Q})\mathbf{t}_1^0 \\ \mathbf{u}_{,2} + (\mathbf{1} - \mathbf{Q})\mathbf{t}_2^0 \\ \text{ax}(\mathbf{Q}_{,1} \mathbf{Q}^T) \\ \text{ax}(\mathbf{Q}_{,2} \mathbf{Q}^T) \end{Bmatrix}. \quad (8)$$

The virtual measures of the compatible strains (6), (7) are calculated as (see [30,31,46])

$$\delta \boldsymbol{\varepsilon}_\beta = \mathbf{v}_{,\beta} - \mathbf{w} \times \mathbf{y}_{,\beta} = \mathbf{v}_{,\beta} + (\mathbf{t}_\beta + \boldsymbol{\varepsilon}_\beta) \times \mathbf{w}, \quad \delta \boldsymbol{\kappa}_\beta = \mathbf{w}_{,\beta}. \quad (9)$$

They are equal to the co-rotational variations of the strain measures [31,46,60]

$$d\boldsymbol{\varepsilon}_\beta \equiv \mathbf{Q}(\delta(\mathbf{Q}^T \boldsymbol{\varepsilon}_\beta)), \quad d\boldsymbol{\kappa}_\beta \equiv \mathbf{Q}(\delta(\mathbf{Q}^T \boldsymbol{\kappa}_\beta)). \quad (10)$$

For convenience, equations (9) are put into the symbolic matrix notation

$$\delta \boldsymbol{\varepsilon}(\mathbf{u}) = \begin{Bmatrix} \delta \boldsymbol{\varepsilon}_1(\mathbf{u}) \\ \delta \boldsymbol{\varepsilon}_2(\mathbf{u}) \\ \delta \kappa_1(\mathbf{u}) \\ \delta \kappa_2(\mathbf{u}) \end{Bmatrix} = \begin{Bmatrix} \mathbf{v}_{,1} + (\mathbf{t}_1 + \boldsymbol{\varepsilon}_1) \times \mathbf{w} \\ \mathbf{v}_{,2} + (\mathbf{t}_2 + \boldsymbol{\varepsilon}_2) \times \mathbf{w} \\ \mathbf{w}_{,1} \\ \mathbf{w}_{,2} \end{Bmatrix} = \mathbf{B}\mathbf{w} = \mathbf{B} \begin{Bmatrix} \mathbf{v} \\ \mathbf{w} \end{Bmatrix}, \quad \mathbf{B} = \begin{bmatrix} \mathbf{1}(\cdot),_1 & (\mathbf{t}_1 + \boldsymbol{\varepsilon}_1) \times (\cdot) \\ \mathbf{1}(\cdot),_2 & (\mathbf{t}_2 + \boldsymbol{\varepsilon}_2) \times (\cdot) \\ \mathbf{0} & \mathbf{1}(\cdot),_1 \\ \mathbf{0} & \mathbf{1}(\cdot),_2 \end{bmatrix}, \quad (11)$$

where the matrix operator \mathbf{B} describes the relation between the virtual strains and the virtual displacements. For the proposed mixed elements beside the vector of compatible strains $\boldsymbol{\varepsilon}(\mathbf{u})$ also a column vector of independent strains $\boldsymbol{\varepsilon}$ is defined on the element level. The following formal decompositions of the strain vector and the strain-displacement operator are introduced

$$\boldsymbol{\varepsilon} = \{ \varepsilon_{11} \ \varepsilon_{22} \ \varepsilon_{12} \ \varepsilon_{21} | \varepsilon_1 \ \varepsilon_2 \ \kappa_{11} \ \kappa_{22} \ \kappa_{12} \ \kappa_{21} | \kappa_1 \ \kappa_2 \}^T = \{ \mathbf{e}_m | \mathbf{e}_s \ \|\ \mathbf{e}_b | \mathbf{e}_d \}^T, \quad (12)$$

$$\mathbf{B}_{12 \times 2} = \left\{ \begin{array}{c|c|c|c} \mathbf{B} & \mathbf{B} & \mathbf{B} & \mathbf{B} \\ \hline 4 \times 2^m & 2 \times 2^s & 4 \times 2^b & 2 \times 2^d \end{array} \right\}^T, \quad (13)$$

where subscripts m, s, b, d denote the membrane (in-plane), transverse shear, bending and drilling components, respectively. Characteristic features of Cosserat-type theories [61] are: asymmetric membrane shear strains $\varepsilon_{12}, \varepsilon_{21}$, asymmetric bending strains κ_{12}, κ_{21} and the presence of drilling strains κ_1, κ_2 . The vector of independent stress resultants and couples, that is energy conjugated with the strain vector $\boldsymbol{\varepsilon}$, is assumed in the form

$$\mathbf{s} = \{ N^{11} \ N^{22} \ N^{12} \ N^{21} | Q^1 \ Q^2 \ \|\ M^{11} \ M^{22} \ M^{12} \ M^{21} | M^1 \ M^2 \}^T = \{ \mathbf{s}_m | \mathbf{s}_s \ \|\ \mathbf{s}_b | \mathbf{s}_d \}^T. \quad (14)$$

The vectors of external loads in the matrix notation read

$$\mathbf{p} = \begin{Bmatrix} \mathbf{f} \\ \mathbf{c} \end{Bmatrix}, \quad \mathbf{s}^* = \begin{Bmatrix} \mathbf{n}^* \\ \mathbf{m}^* \end{Bmatrix}, \quad (15)$$

where $\mathbf{f}(\mathbf{x})$ and $\mathbf{c}(\mathbf{x})$ are the external resultant force vector and resultant couple vector, respectively (see Fig. 1). To simplify presentation and interpretation of further derivations of formulae, the existence of a 2D strain energy density $\Phi(\boldsymbol{\varepsilon}) = \frac{1}{2} \boldsymbol{\varepsilon}^T \mathbf{C} \boldsymbol{\varepsilon}$ on the reference surface is postulated. Under this assumption, the constitutive relation reads

$$\mathbf{s}(\boldsymbol{\varepsilon}) = \partial_{\boldsymbol{\varepsilon}} \Phi = \mathbf{C} \boldsymbol{\varepsilon}, \quad \partial_{\boldsymbol{\varepsilon} \boldsymbol{\varepsilon}} \Phi = \mathbf{C}. \quad (16)$$

The formulation of the proposed mixed hybrid shell elements is based on the three-field Hu–Washizu principle [62]

$$W(\mathbf{u}, \boldsymbol{\varepsilon}, \mathbf{s}) = \iint_M (\Phi(\boldsymbol{\varepsilon}) + \mathbf{s}^T (\boldsymbol{\varepsilon}(\mathbf{u}) - \boldsymbol{\varepsilon})) da + V(\mathbf{u}), \quad (17)$$

where $V(\mathbf{u})$ is the assumed potential of the external loads (15) given by formula

$$V(\mathbf{u}) = - \iint_M \mathbf{u}^T \mathbf{p} da - \int_{\partial M_f} \mathbf{u}^T \mathbf{s}^* dl. \quad (18)$$

The weak form of the boundary value problem may be posed as follows: find kinematically admissible field \mathbf{u} and independent fields $\boldsymbol{\varepsilon}, \mathbf{s}$, such that $W(\mathbf{u}, \boldsymbol{\varepsilon}, \mathbf{s}) \rightarrow \text{stationary}$. In order to simplify notation, the following vectors of element variables are introduced $\boldsymbol{\theta} = [\mathbf{u}, \boldsymbol{\varepsilon}, \mathbf{s}]^T$, $\delta \boldsymbol{\theta} = [\mathbf{w}, \delta \boldsymbol{\varepsilon}, \delta \mathbf{s}]^T$ and $\Delta \boldsymbol{\theta} = [\Delta \mathbf{u}, \Delta \boldsymbol{\varepsilon}, \Delta \mathbf{s}]^T$. Then, the first variation of the Hu–Washizu functional (17) may be written in the form

$$\delta W(\boldsymbol{\theta}, \delta \boldsymbol{\theta}) = \iint_M (\delta \boldsymbol{\varepsilon}^T \partial_{\boldsymbol{\varepsilon}} \Phi + \mathbf{s}^T \delta \boldsymbol{\varepsilon}(\mathbf{u}) + \delta \mathbf{s}^T (\boldsymbol{\varepsilon}(\mathbf{u}) - \boldsymbol{\varepsilon}) - \delta \boldsymbol{\varepsilon}^T \mathbf{s}) da + \delta V[\mathbf{u}, \mathbf{w}]. \quad (19)$$

Linearization of (19) gives the second variation of the Hu–Washizu functional (17)

$$\delta^2 W(\boldsymbol{\theta}, \delta \boldsymbol{\theta}, \Delta \boldsymbol{\theta}) = \iint_M [\delta \boldsymbol{\varepsilon}^T \partial_{\boldsymbol{\varepsilon} \boldsymbol{\varepsilon}}^2 \Phi \Delta \boldsymbol{\varepsilon} + \mathbf{s}^T \Delta \delta \boldsymbol{\varepsilon}(\mathbf{u}) + \Delta \mathbf{s}^T \delta \boldsymbol{\varepsilon}(\mathbf{u}) + \delta \mathbf{s}^T \Delta \boldsymbol{\varepsilon}(\mathbf{u}) - \delta \mathbf{s}^T \Delta \boldsymbol{\varepsilon} - \delta \boldsymbol{\varepsilon}^T \Delta \mathbf{s}] da \quad (20)$$

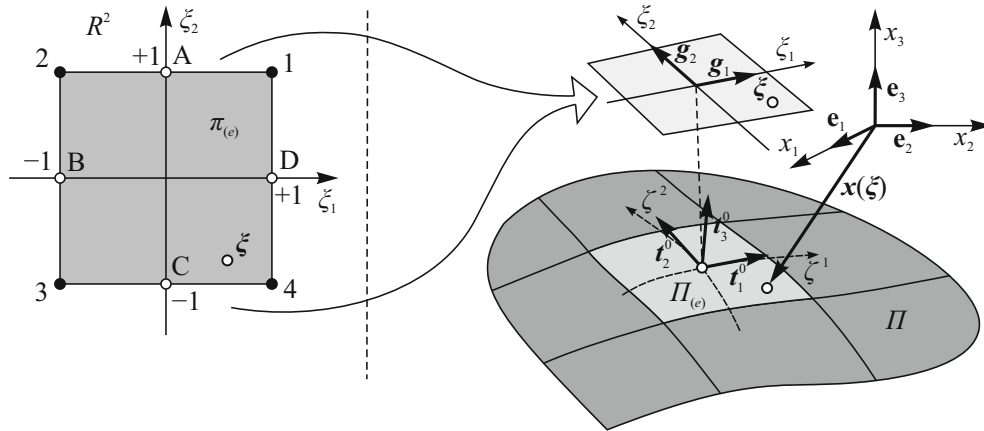


Fig. 2 The image of the standard element $\pi_{(e)}$ into shell element $\Pi_{(e)}$ on the reference surface

In the above equation, the external loads are assumed as dead loads, i.e. $\delta^2 V[\mathbf{u}, \mathbf{w}, \Delta \mathbf{u}] = 0$, so the stiffness matrix associated with loads does not appear.

In the remainder of paper, linear elastic constitutive equations, described for instance in [30,31,46–48], are assumed, because a linear elastic material model was used in the majority of benchmark problems proposed as the tests of shell element formulations.

3 Formulation of mixed hybrid elements

3.1 Approximation of the reference surface and the displacement field

Let $\Pi_{(e)}$ be a typical 4-node shell finite element defined as a smooth image of the standard element $\pi_{(e)} = [-1, +1] \times [-1, +1]$ from the parent (natural) domain $\xi = (\xi_1, \xi_2)$, see Fig. 2. On the element level, the vector field variables $\mathbf{x}(\xi)$, $\mathbf{y}(\xi)$, $\mathbf{u}(\xi)$, $\mathbf{v}(\xi)$ are interpolated by generic formula $\mathbf{z}(\xi) = \sum_{a=1}^4 L_a(\xi) z_a$ where $L_a(\xi)$ are the standard isoparametric shape functions.

The interpolation scheme described above assures the required C^0 continuity of the displacement field between elements; therefore, the shell reference surface may be spatially approximated as a sum of the finite elements

$$M \approx M_h = \sum_{e=1}^{N_e} \Pi_{(e)}, \quad (21)$$

where N_e is the total number of shell finite elements.

Relation between the parent (natural) coordinates $\xi = (\xi_1, \xi_2) \in \pi_{(e)} = [-1, +1] \times [-1, +1]$ and the arc-length coordinates $\zeta = (\zeta^1, \zeta^2)$ is described by the Jacobian matrix \mathbf{J}

$$\mathbf{J} = \begin{bmatrix} J_{11} & J_{12} \\ J_{21} & J_{22} \end{bmatrix} = \begin{bmatrix} \frac{\partial \zeta^1}{\partial \xi_1} & \frac{\partial \zeta^1}{\partial \xi_2} \\ \frac{\partial \zeta^2}{\partial \xi_1} & \frac{\partial \zeta^2}{\partial \xi_2} \end{bmatrix}, \quad \begin{bmatrix} \frac{\partial \xi_1}{\partial \zeta^1} & \frac{\partial \xi_2}{\partial \zeta^1} \\ \frac{\partial \xi_1}{\partial \zeta^2} & \frac{\partial \xi_2}{\partial \zeta^2} \end{bmatrix} = \mathbf{J}^{-T} = \frac{1}{\det \mathbf{J}} \begin{bmatrix} J_{22} & -J_{21} \\ -J_{12} & J_{11} \end{bmatrix}. \quad (22)$$

Matrix \mathbf{J} can be interpreted as the transformation matrix between the basis vectors \mathbf{t}_α^0 given by (2) and the basis vectors \mathbf{g}_α of the parent coordinate system ξ , see Fig. 2

$$\begin{bmatrix} \mathbf{g}_1 \\ \mathbf{g}_2 \end{bmatrix} = \mathbf{J}^T \begin{bmatrix} \mathbf{t}_1^0 \\ \mathbf{t}_2^0 \end{bmatrix}, \quad \begin{bmatrix} \mathbf{t}_1^0 \\ \mathbf{t}_2^0 \end{bmatrix} = \mathbf{J}^{-T} \begin{bmatrix} \mathbf{g}_1 \\ \mathbf{g}_2 \end{bmatrix}. \quad (23)$$

Derivatives of the shape functions $L_a(\xi)$ with respect to the arc-length coordinates are computed considering (22) as follows

$$(L_a)_{,\beta} = \frac{\partial L_a(\xi)}{\partial \zeta^\beta} = \frac{\partial L_a(\xi)}{\partial \xi_1} \frac{\partial \xi_1}{\partial \zeta^\beta} + \frac{\partial L_a(\xi)}{\partial \xi_2} \frac{\partial \xi_2}{\partial \zeta^\beta}. \quad (24)$$



The finite element area $A_{(e)}$ is defined in the coordinates ξ as

$$A_{(e)} = \int \int_{\Pi_{(e)}} da = \int \int_{\Pi_{(e)}} d\xi^1 d\xi^2 = \int_{-1}^{+1} \int_{-1}^{+1} j(\xi) d\xi_1 d\xi_2, \quad (25)$$

where $j(\xi)$ is a determinant of the Jacobian matrix \mathbf{J} and can be expanded as follows

$$j(\xi) = j_0 + j_1 \xi_1 + j_2 \xi_2. \quad (26)$$

Finally, the element area may be computed based on the value of the Jacobian determinant j_0 in the element centre $A_{(e)} = 4j_0$.

For $SO(3)$ -valued variables, the interpolation scheme described above cannot be used. Hence, in the paper these values are interpolated using the multistep approach, described for instance in [46,47]. The virtual rotation vector $\mathbf{w} \in so(3)$ is interpolated directly in the global fixed basis $\{\mathbf{e}_i\}$. Using the transformation $\mathbf{T} : \mathbf{e}_i \rightarrow \mathbf{t}_i$, the vector \mathbf{w} is written in the form

$$\mathbf{w}(\xi) = w_i(\xi) \mathbf{t}_i(\xi) = \bar{w}_j(\xi) \mathbf{e}_j = \bar{w}_j(\xi) \mathbf{T}^T(\xi) \mathbf{t}_j(\xi). \quad (27)$$

Then, the interpolation of \mathbf{w} is performed as follows

$$\tilde{\mathbf{w}}(\xi) = \begin{Bmatrix} \tilde{w}_1(\xi) \\ \tilde{w}_2(\xi) \\ \tilde{w}_3(\xi) \end{Bmatrix} = \mathbf{T}(\xi) \sum_{a=1}^4 L_a(\xi) \begin{Bmatrix} \bar{w}_{1a}(\xi) \\ \bar{w}_{2a}(\xi) \\ \bar{w}_{3a}(\xi) \end{Bmatrix}, \quad (28)$$

where $\mathbf{T}(\xi)$ is a transformation matrix corresponding to the tensor \mathbf{T} (3).

To minimize shear locking effect, the ANS concept [8] is employed for the transverse shear part $\mathbf{e}_s(\mathbf{u})$ of the compatible strains. At selected points A(0,1), B(-1,0), C(0,-1), D(1,0) defined in the standard element (Fig. 2), the following sets of values are computed, cf. (12), (13)

$$\{\mathbf{e}_s|_P^{\text{DI}}\}, \quad \{\mathbf{B}_s|_P^{\text{DI}}\}, \quad P = A, B, C, D. \quad (29)$$

The label DI indicates the direct interpolation, i.e. the compatible strains. Then, these values are transformed to the parent element space $\{\xi, \mathbf{t}^0\}$, i.e. $\{\mathbf{e}_s|_P^{\text{DI}}\} \rightarrow \{\bar{\mathbf{e}}_s|_P^{\text{DI}}\}$ and $\{\mathbf{B}_s|_P^{\text{DI}}\} \rightarrow \{\bar{\mathbf{B}}_s|_P^{\text{DI}}\}$. In the next step, interpolation is performed using the ANS approach

$$\bar{\bar{\mathbf{e}}}_1(\xi) = \frac{1}{2}(1 + \xi_2) \bar{\mathbf{e}}_1|_A^{\text{DI}} + \frac{1}{2}(1 - \xi_2) \bar{\mathbf{e}}_1|_C^{\text{DI}}, \quad \bar{\bar{\mathbf{e}}}_2(\xi) = \frac{1}{2}(1 + \xi_1) \bar{\mathbf{e}}_2|_D^{\text{DI}} + \frac{1}{2}(1 - \xi_1) \bar{\mathbf{e}}_2|_B^{\text{DI}}, \quad (30)$$

$$\bar{\bar{\mathbf{B}}}_{\mathbf{e}_1}(\xi) = \frac{1}{2}(1 + \xi_2) \bar{\mathbf{B}}_{\mathbf{e}_1}|_A^{\text{DI}} + \frac{1}{2}(1 - \xi_2) \bar{\mathbf{B}}_{\mathbf{e}_1}|_C^{\text{DI}}, \quad \bar{\bar{\mathbf{B}}}_{\mathbf{e}_2}(\xi) = \frac{1}{2}(1 + \xi_1) \bar{\mathbf{B}}_{\mathbf{e}_2}|_D^{\text{DI}} + \frac{1}{2}(1 - \xi_1) \bar{\mathbf{B}}_{\mathbf{e}_2}|_B^{\text{DI}}. \quad (31)$$

Finally, the resulting values are transformed back to the current basis \mathbf{t}_i in the spatial representation, and appropriate terms in Eqs. (8) and (11) are substituted by the new values.

3.2 Skew coordinates

The use of an appropriate coordinate system during approximation at the element level is one of a key aspect in the formulation of a robust 4-node mixed element. Specific modification of the natural coordinates may improve the accuracy of the mixed elements of irregular shape, see for instance results of numerical tests in [63,64].

The skew coordinates were proposed in [65] and then applied in the formulation of different mixed elements, see, e.g. [18,63,66]. These coordinates are defined in the fixed basis at the element's centre $\{\mathbf{g}_1^c, \mathbf{g}_2^c\}$

$$\mathbf{g}_1^c = \mathbf{g}_1(\xi_1 = 0, \xi_2 = 0) = \frac{1}{4} \sum_{a=1}^4 \xi_1^a \mathbf{x}_a, \quad \mathbf{g}_2^c = \mathbf{g}_2(\xi_1 = 0, \xi_2 = 0) = \frac{1}{4} \sum_{a=1}^4 \xi_2^a \mathbf{x}_a. \quad (32)$$



In the above formulae, the label a denotes the node and \mathbf{x} is the position vector expressed in the Cartesian basis. The position vector $\bar{\mathbf{x}}$ computed relative to the element's centre \mathbf{x}_c may be written using the arc-length coordinates ζ^1, ζ^2 and the skew coordinates x_s, y_s as

$$\bar{\mathbf{x}} = \mathbf{x} - \mathbf{x}_c = \bar{\zeta}^1 \mathbf{t}_1^0 + \bar{\zeta}^2 \mathbf{t}_2^0 = (\zeta^1 - \zeta_c^1) \mathbf{t}_1^0 + (\zeta^2 - \zeta_c^2) \mathbf{t}_2^0 = x_s \mathbf{g}_1^c + y_s \mathbf{g}_2^c. \quad (33)$$

The relation between the arc-length coordinates and the skew coordinates can be expressed as

$$\begin{bmatrix} x_s \\ y_s \end{bmatrix} = \mathbf{J}_0^{-1} \begin{bmatrix} \bar{\zeta}^1 \\ \bar{\zeta}^2 \end{bmatrix}, \quad (34)$$

where $\mathbf{J}_0(\xi_1 = 0, \xi_2 = 0)$ is the Jacobian matrix (22) calculated at the element's centre. After some further transformations, see, for example, [18,63], the skew coordinates are expressed in terms of the natural coordinates as follows

$$x_s = \xi_1 + \frac{j_2}{j_0} \xi_1 \xi_2, \quad y_s = \xi_2 + \frac{j_1}{j_0} \xi_1 \xi_2. \quad (35)$$

The coefficients j_0, j_1, j_2 appearing in Eqs. (26) and (35) are computed as

$$j_0 = a_1 b_2 - a_2 b_1, \quad j_1 = a_1 b_3 - a_3 b_1, \quad j_2 = a_3 b_2 - a_2 b_3, \quad (36)$$

where a_i and b_i are calculated based on the arc-length coordinates of the element nodes. The coefficients a_i, b_i appear also in the Jacobian matrix (22) written in the following way

$$\mathbf{J} = \begin{bmatrix} J_{11} & J_{12} \\ J_{21} & J_{22} \end{bmatrix} = \begin{bmatrix} a_1 + a_3 \xi_2 & a_2 + a_3 \xi_1 \\ b_1 + b_3 \xi_2 & b_2 + b_3 \xi_1 \end{bmatrix}. \quad (37)$$

The natural and skew coordinates will be applied in interpolation of the assumed strain and stress resultant fields defined in the subsequent paragraphs. In order to simplify the notation, we introduce common symbols ξ_1^*, ξ_2^* for these two types of coordinates. For finite elements in the shape of parallelogram $j_1 = 0$ and $j_2 = 0$, thus the natural and skew coordinates are equal for such elements. Consequently, the influence of choice of coordinates on the results will be analysed only in the numerical examples with irregular, distorted mesh.

3.3 Interpolation of the stress resultants

The independent stress resultants (14) are approximated by the relations

$$\mathbf{s} = \mathbf{S} \boldsymbol{\alpha}_{(e)}, \quad \Delta \mathbf{s} = \mathbf{S} \Delta \boldsymbol{\alpha}_{(e)}, \quad \delta \mathbf{s} = \mathbf{S} \delta \boldsymbol{\alpha}_{(e)}, \quad (38)$$

$$\mathbf{S} = [\mathbf{1}_{12 \times 12}, \tilde{\mathbf{S}}] = \begin{bmatrix} \mathbf{1}_{4 \times 4} & \mathbf{0} & \mathbf{0} & \mathbf{0} & \mathbf{S}_{mi} & \mathbf{0} & \mathbf{0} & \mathbf{0} \\ \mathbf{0} & \mathbf{1}_{2 \times 2} & \mathbf{0} & \mathbf{0} & \mathbf{0} & \mathbf{S}_s & \mathbf{0} & \mathbf{0} \\ \mathbf{0} & \mathbf{0} & \mathbf{1}_{4 \times 4} & \mathbf{0} & \mathbf{0} & \mathbf{0} & \mathbf{S}_b & \mathbf{0} \\ \mathbf{0} & \mathbf{0} & \mathbf{0} & \mathbf{1}_{2 \times 2} & \mathbf{0} & \mathbf{0} & \mathbf{0} & \mathbf{S}_d \end{bmatrix}, \quad (39)$$

where vector $\boldsymbol{\alpha}_{(e)}$ contains 12 real parameters for the constant part and 7 or 9 real parameters for the varying parts of the stress resultant field, depending on the variant of mixed element. Here 2 options of the membrane components interpolation matrix \mathbf{S}_{mi} are analysed

$$\mathbf{S}_{m2} = \mathbf{T}_\sigma^0 \begin{bmatrix} \xi_2^* & 0 \\ 0 & \xi_1^* \\ 0 & 0 \\ 0 & 0 \end{bmatrix}, \quad \mathbf{S}_{m4} = \mathbf{T}_\sigma^0 \begin{bmatrix} \xi_2^* & 0 & 0 & 0 \\ 0 & \xi_1^* & 0 & 0 \\ 0 & 0 & \xi_2^* & 0 \\ 0 & 0 & 0 & \xi_1^* \end{bmatrix}. \quad (40)$$

Similar interpolation scheme defined in the natural coordinates was proposed in [41]. The varying parts of the transverse shear forces and the bending moments are defined by the following interpolation matrices

$$\mathbf{S}_s = \tilde{\mathbf{T}}_\sigma^0 \begin{bmatrix} \xi_2^* & 0 \\ 0 & \xi_1^* \end{bmatrix}, \quad \mathbf{S}_b = \mathbf{T}_\sigma^0 \begin{bmatrix} \xi_2^* & 0 \\ 0 & \xi_1^* \\ 0 & 0 \\ 0 & 0 \end{bmatrix}. \quad (41)$$

Matrix \mathbf{S}_b is an extension of the interpolation method of the bending stress resultants from [16,17] on the nonlinear 6-parameter shell theory.

In case of the drilling stress resultants, 4-parameter interpolation variant was introduced in [50]. However, authors' own analyses show that the application of 3-parameter interpolation variant allows us to obtain the results with the same precision. Hence, here to reduce the number of the independent parameters the following interpolation matrix \mathbf{S}_d is proposed

$$\mathbf{S}_d = \tilde{\mathbf{T}}_\sigma^0 \begin{bmatrix} \xi_2^* \\ \xi_1^* \end{bmatrix}. \quad (42)$$

In Eqs. (40)–(42), the transformation matrices are used

$$\mathbf{T}_\sigma^0 = \begin{bmatrix} J_{11}^0 J_{11}^0 & J_{12}^0 J_{12}^0 & J_{12}^0 J_{11}^0 & J_{11}^0 J_{12}^0 \\ J_{21}^0 J_{21}^0 & J_{22}^0 J_{22}^0 & J_{22}^0 J_{21}^0 & J_{21}^0 J_{22}^0 \\ J_{21}^0 J_{11}^0 & J_{22}^0 J_{12}^0 & J_{22}^0 J_{11}^0 & J_{21}^0 J_{12}^0 \\ J_{11}^0 J_{21}^0 & J_{12}^0 J_{22}^0 & J_{12}^0 J_{21}^0 & J_{11}^0 J_{22}^0 \end{bmatrix}, \quad \tilde{\mathbf{T}}_\sigma^0 = \begin{bmatrix} J_{11}^0 & J_{12}^0 \\ J_{21}^0 & J_{22}^0 \end{bmatrix}, \quad (43)$$

where $J_{\alpha\beta}^0 = J_{\alpha\beta}(\xi = 0, \eta = 0)$ are the components of the Jacobian matrix (22) computed at the element's centre. The matrices $\mathbf{T}_\sigma^0, \tilde{\mathbf{T}}_\sigma^0$ describe the transformation of the contravariant stress resultant components to the physical coordinate system t_i^0 at the element's centre.

3.4 Interpolation of the independent shell strains

Similarly as in [17,67], we assume that the interpolation of the independent strains (12) consists of two parts

$$\boldsymbol{\varepsilon} = \mathbf{P}\boldsymbol{\beta}_{(e)} = \begin{bmatrix} \mathbf{P}_1 \\ \mathbf{P}_2 \end{bmatrix}^T \begin{bmatrix} \boldsymbol{\beta}_{(e)}^1 \\ \boldsymbol{\beta}_{(e)}^2 \end{bmatrix}, \quad \Delta\boldsymbol{\varepsilon} = \mathbf{P}\Delta\boldsymbol{\beta}_{(e)}, \quad \delta\boldsymbol{\varepsilon} = \mathbf{P}\delta\boldsymbol{\beta}_{(e)}, \quad \boldsymbol{\beta}_{(e)} \in R, \quad (44)$$

where R is the set of real numbers. The approach discussed above for the stress resultants is used also in the first part of interpolation of the assumed strain field

$$\mathbf{P}_1 = [\mathbf{1}_{12 \times 12}, \tilde{\mathbf{P}}_1] = \begin{bmatrix} \mathbf{1}_{4 \times 4} & \mathbf{0} & \mathbf{0} & \mathbf{0} & \mathbf{P}_{mi} & \mathbf{0} & \mathbf{0} & \mathbf{0} \\ \mathbf{0} & \mathbf{1}_{2 \times 2} & \mathbf{0} & \mathbf{0} & \mathbf{0} & \mathbf{P}_s & \mathbf{0} & \mathbf{0} \\ \mathbf{0} & \mathbf{0} & \mathbf{1}_{4 \times 4} & \mathbf{0} & \mathbf{0} & \mathbf{0} & \mathbf{P}_b & \mathbf{0} \\ \mathbf{0} & \mathbf{0} & \mathbf{0} & \mathbf{1}_{2 \times 2} & \mathbf{0} & \mathbf{0} & \mathbf{0} & \mathbf{P}_d \end{bmatrix}, \quad (45)$$

where

$$\mathbf{P}_{m2} = \mathbf{T}_\varepsilon^0 \begin{bmatrix} \xi_2^* & 0 \\ 0 & \xi_1^* \\ 0 & 0 \\ 0 & 0 \end{bmatrix}, \quad \mathbf{P}_{m4} = \mathbf{T}_\varepsilon^0 \begin{bmatrix} \xi_2^* & 0 & 0 & 0 \\ 0 & \xi_1^* & 0 & 0 \\ 0 & 0 & \xi_2^* & 0 \\ 0 & 0 & 0 & \xi_1^* \end{bmatrix}, \quad (46)$$

$$\mathbf{P}_s = \tilde{\mathbf{T}}_\varepsilon^0 \begin{bmatrix} \xi_2^* & 0 \\ 0 & \xi_1^* \end{bmatrix}, \quad \mathbf{P}_b = \mathbf{T}_\varepsilon^0 \begin{bmatrix} \xi_2^* & 0 \\ 0 & \xi_1^* \\ 0 & 0 \\ 0 & 0 \end{bmatrix}. \quad (47)$$

Taking into consideration the results from paper [68] obtained for the Hu–Washizu mixed elements, the contravariant transformation rule is used also in the interpolation of the first part of the independent strain field

$$\mathbf{T}_\varepsilon^0 = \mathbf{T}_\sigma^0, \quad \tilde{\mathbf{T}}_\varepsilon^0 = \tilde{\mathbf{T}}_\sigma^0. \quad (48)$$

As a consequence of assumption (48), the matrices given by (46) and (47) have the same form as the matrices specified in (40) and (41). The covariant transformation rule is used only in interpolation of the assumed drilling strains

$$\mathbf{P}_d = \left(\tilde{\mathbf{T}}_\varepsilon^0 \right)^{-T} \begin{bmatrix} \xi_2^* \\ \xi_1^* \end{bmatrix}, \quad (49)$$

that allows to satisfy the following linearized compatibility condition, see [49,69]

$$\kappa_{1,2} - \kappa_{2,1} = 0. \quad (50)$$

The second part of the independent strain field approximation (44) is assumed L^2 orthogonal to the stress resultant field. In this context, the interpolation scheme corresponds to the EAS formulation [13,48] and mixed-enhanced methods [70,71]. The following form of the interpolation matrix \mathbf{P}_2 is assumed

$$\mathbf{P}_2 = [\mathbf{P}_{2m} \quad \mathbf{0} \quad \mathbf{0} \quad \mathbf{0}]^T, \quad (51)$$

$$\mathbf{P}_{2m} = \frac{j_0}{j} (\mathbf{T}_\sigma^0)^{-T} \mathbf{N}_2, \quad \mathbf{N}_2 = \begin{bmatrix} \xi & 0 \\ 0 & \eta \\ 0 & 0 \\ 0 & 0 \end{bmatrix}. \quad (52)$$

In comparison with the previous papers [17,49,50,67], the nonzero interpolation scheme is used only for the membrane components. This approach reduces the number of $\beta_{(e)}^2$ parameters. The second part of the strains interpolation is defined only in the natural coordinates to assure fulfillment of the following L^2 orthogonality condition

$$\int_{-1}^1 \int_{-1}^1 \mathbf{P}_2^T \mathbf{S} d\xi_1 d\xi_2 = 0, \quad (53)$$

also for the constant stress resultants. We propose the matrix \mathbf{N}_2 (52) as the generalization of the matrix \mathbf{M}_2 from paper [17] to the theory with asymmetric measures of strains. The analysis performed in [49] indicates that variants of matrix \mathbf{N}_i with greater number of parameters $\beta_{(e)}^2$ give almost the same results as the matrix \mathbf{N}_2 .

3.5 Linearized variational formulation

In the present shell theory, the vector of nodal degrees of freedom defined in the global coordinate system $\{\mathbf{e}_i\}$ at single node a takes the following form

$$\delta \mathbf{q}_a = \{v_i \bar{w}_i\}^T = \{v_1 \ v_2 \ v_3 \ \bar{w}_1 \ \bar{w}_2 \ \bar{w}_3\}^T, \quad (54)$$

where v_i are virtual translations and \bar{w}_i are virtual parameters of rotations (28). The vectors $\delta \mathbf{q}_a$ are collected into the displacement vector of a 4-node element

$$\delta \mathbf{q}_{(e)} = \{ \delta \mathbf{q}_1 \ \delta \mathbf{q}_2 \ \delta \mathbf{q}_3 \ \delta \mathbf{q}_4 \}^T. \quad (55)$$

In the finite element, the subsequent interpolation scheme for the vector of virtual displacements \mathbf{w} and the vector of displacement increments $\Delta \mathbf{u}$ is used

$$\mathbf{w}(\xi) = \begin{Bmatrix} v(\xi) \\ \mathbf{w}(\xi) \end{Bmatrix} = \bar{\mathbf{L}}(\xi) \delta \mathbf{q}_{(e)}, \quad \Delta \mathbf{u}(\xi) = \bar{\mathbf{L}}(\xi) \Delta \mathbf{q}_{(e)}, \quad (56)$$

where $\bar{\mathbf{L}}$ is an element matrix of the shape functions $L_a(\xi)$

$$\bar{\mathbf{L}}(\xi) = [\bar{\mathbf{L}}_1(\xi) \ \bar{\mathbf{L}}_2(\xi) \ \bar{\mathbf{L}}_3(\xi) \ \bar{\mathbf{L}}_4(\xi)], \quad \bar{\mathbf{L}}_a(\xi) = \mathbf{Y}(\xi) L_a(\xi), \quad \mathbf{Y}(\xi) = \begin{bmatrix} \mathbf{1}_3 & \mathbf{0} \\ \mathbf{0} & \mathbf{T}(\xi) \end{bmatrix}. \quad (57)$$

The vectors of virtual compatible strains $\delta \boldsymbol{\varepsilon}(\mathbf{u})$ and strain increments $\Delta \boldsymbol{\varepsilon}(\mathbf{u})$ after taking into account relations (11), (56), (57) are written as follows

$$\delta \boldsymbol{\varepsilon}(\mathbf{u}) = \mathbf{B} \mathbf{w} = \bar{\mathbf{B}} \delta \mathbf{q}_{(e)}, \quad \Delta \boldsymbol{\varepsilon}(\mathbf{u}) = \mathbf{B} \Delta \mathbf{u} = \bar{\mathbf{B}} \Delta \mathbf{q}_{(e)}, \quad \bar{\mathbf{B}} = \mathbf{B} \bar{\mathbf{L}}. \quad (58)$$

The linearized stationary condition for the Hu–Washizu principle (17) may be written as

$$J(\boldsymbol{\theta}, \delta\boldsymbol{\theta}, \Delta\boldsymbol{\theta}) = \sum_{j=1}^{N_e} \left(\delta W^{(e)}(\boldsymbol{\theta}, \delta\boldsymbol{\theta}) + \delta^2 W^{(e)}(\boldsymbol{\theta}, \delta\boldsymbol{\theta}, \Delta\boldsymbol{\theta}) \right) = 0, \quad (59)$$

where the first and the second variation of the Hu–Washizu functional are given by (19) and (20), respectively. The substitution of Eqs. (38), (44), (58) describing interpolation of the stress resultant, strain and displacement fields into the stationary condition (59), and given the arbitrariness of the virtual fields, yields the finite element approximation

$$J(\boldsymbol{\theta}^h, \delta\boldsymbol{\theta}^h, \Delta\boldsymbol{\theta}^h) = \sum_{j=1}^{N_e} \begin{bmatrix} \delta\mathbf{q}^{(e)} \\ \delta\boldsymbol{\beta}^{(e)} \\ \delta\boldsymbol{\alpha}^{(e)} \end{bmatrix}^T \left\{ \begin{bmatrix} \mathbf{K}_G^{(e)} & \mathbf{0} & \mathbf{K}_{q\alpha}^{(e)} \\ \mathbf{0} & \mathbf{K}_{\beta\beta}^{(e)} & -\mathbf{K}_{\beta\alpha}^{(e)} \\ \mathbf{K}_{\alpha q}^{(e)} & -\mathbf{K}_{\alpha\beta}^{(e)} & \mathbf{0} \end{bmatrix} \begin{bmatrix} \Delta\mathbf{q}^{(e)} \\ \Delta\boldsymbol{\beta}^{(e)} \\ \Delta\boldsymbol{\alpha}^{(e)} \end{bmatrix} + \begin{bmatrix} \mathbf{r}_d^{(e)} - \mathbf{p}^{(e)} \\ \mathbf{r}_\beta^{(e)} \\ \mathbf{r}_\alpha^{(e)} \end{bmatrix} \right\} = \mathbf{0}. \quad (60)$$

In the set of Eq. (60), the following element matrices and vectors are defined

$$\begin{aligned} \mathbf{K}_G^{(e)} &= \iint_{\Pi^{(e)}} \bar{\mathbf{D}}^T \mathbf{G} \bar{\mathbf{D}} \, da, \quad \bar{\mathbf{D}} = \mathbf{D} \bar{\mathbf{L}}, \\ \mathbf{K}_{\alpha q}^{(e)} &= \iint_{\Pi^{(e)}} \mathbf{S}^T \bar{\mathbf{B}} \, da, \quad \mathbf{K}_{q\alpha}^{(e)} = \left(\mathbf{K}_{\alpha q}^{(e)} \right)^T, \\ \mathbf{K}_{\beta\alpha}^{(e)} &= \iint_{\Pi^{(e)}} \mathbf{P}^T \mathbf{S} da, \quad \mathbf{K}_{\alpha\beta}^{(e)} = \left(\mathbf{K}_{\beta\alpha}^{(e)} \right)^T, \\ \mathbf{K}_{\beta\beta}^{(e)} &= \iint_{\Pi^{(e)}} \mathbf{P}^T \mathbf{C} \mathbf{P} da, \\ \mathbf{r}_d^{(e)} &= \iint_{\Pi^{(e)}} \bar{\mathbf{B}}^T \mathbf{S} \boldsymbol{\alpha}_{(e)} da = \mathbf{K}_{q\alpha}^{(e)} \boldsymbol{\alpha}_{(e)}, \\ \mathbf{r}_\beta^{(e)} &= \iint_{\Pi^{(e)}} \mathbf{P}^T \mathbf{C} \mathbf{P} \boldsymbol{\beta}_{(e)} da - \iint_{\Pi^{(e)}} \mathbf{P}^T \mathbf{S} \boldsymbol{\alpha}_{(e)} da = \mathbf{K}_{\beta\beta}^{(e)} \boldsymbol{\beta}_{(e)} - \mathbf{K}_{\beta\alpha}^{(e)} \boldsymbol{\alpha}_{(e)}, \\ \mathbf{r}_\alpha^{(e)} &= \iint_{\Pi^{(e)}} \mathbf{S}^T \boldsymbol{\varepsilon}(\mathbf{u}) da - \mathbf{K}_{\alpha\beta}^{(e)} \boldsymbol{\beta}_{(e)}. \end{aligned} \quad (61)$$

Here $\mathbf{K}_G^{(e)}$ is a geometric matrix described in more detail in “Appendix A”. The vector of element external loads $\mathbf{p}^{(e)}$ (15) is computed like in the standard displacement formulation.

After static condensation of the parameters $\boldsymbol{\beta}_{(e)}^2$, the set of Eq. (60) takes the form

$$\begin{cases} \mathbf{K}_G^{(e)} \Delta\mathbf{q}^{(e)} + \mathbf{K}_{q\alpha}^{(e)} \Delta\boldsymbol{\alpha}_{(e)} + \mathbf{r}_d^{(e)} = \mathbf{p}^{(e)} \\ \bar{\mathbf{K}}_{\beta\beta}^{11} \Delta\boldsymbol{\beta}_{(e)}^1 - \mathbf{K}_{\beta\alpha}^1 \Delta\boldsymbol{\alpha}_{(e)} + \bar{\mathbf{r}}_\beta^1 = \mathbf{0} \\ \mathbf{K}_{\alpha q}^{(e)} \Delta\mathbf{q}^{(e)} - \mathbf{K}_{\alpha\beta}^1 \Delta\boldsymbol{\beta}_{(e)}^1 + \mathbf{r}_\alpha^1 = \mathbf{0} \end{cases}, \quad (63)$$

where the following new element matrices and vectors are introduced

$$\bar{\mathbf{K}}_{\beta\beta}^{11} = \mathbf{K}_{\beta\beta}^{11} - \mathbf{K}_{\beta\beta}^{12} \left(\mathbf{K}_{\beta\beta}^{22} \right)^{-1} \mathbf{K}_{\beta\beta}^{21}, \quad \mathbf{K}_{\beta\beta}^{\delta\lambda} = \iint_{\Pi^{(e)}} \mathbf{P}_\delta^T \mathbf{C} \mathbf{P}_\lambda da, \quad \mathbf{K}_{\alpha\beta}^1 = \iint_{\Pi^{(e)}} \mathbf{S}^T \mathbf{P}_1 da, \quad \mathbf{K}_{\beta\alpha}^1 = \left(\mathbf{K}_{\alpha\beta}^1 \right)^T, \quad (64)$$

$$\bar{\mathbf{r}}_\beta^1 = \bar{\mathbf{K}}_{\beta\beta}^{11} \boldsymbol{\beta}_1 - \mathbf{K}_{\beta\alpha}^1 \boldsymbol{\alpha}_{(e)}, \quad \mathbf{r}_\alpha^1 = \iint_{\Pi^{(e)}} \mathbf{S}^T \boldsymbol{\varepsilon}(\mathbf{u}) da - \mathbf{K}_{\alpha\beta}^1 \boldsymbol{\beta}_1. \quad (65)$$

The integrals in (61), (62), (64) and (65) are computed numerically using the full (2×2) integration scheme.

In the next step, the independent parameters $\boldsymbol{\alpha}_{(e)}$ and $\boldsymbol{\beta}_{(e)}^1$ are eliminated on the element level, since the assumed strains and stress resultants are approximated discontinuously between finite elements. The effective

method of elimination of the strain and stress resultant parameters (described in Appendix D of paper [17]) is used, since equal number of parameters $\alpha_{(e)}$ and $\beta_{(e)}^1$ is assumed here. In this order, the vectors $\Delta\alpha_{(e)}$ and $\Delta\beta_{(e)}^1$ are computed from the second and third equation of system (63), respectively

$$\Delta\beta_{(e)}^1 = \left(\mathbf{K}_{\alpha\beta}^1\right)^{-1} \left(\mathbf{K}_{\alpha q}^{(e)} \Delta\mathbf{q}_{(e)} + \mathbf{r}_{\alpha}^1\right), \quad (66)$$

$$\Delta\alpha_{(e)} = \left(\mathbf{K}_{\beta\alpha}^1\right)^{-1} \left(\bar{\mathbf{K}}_{\beta\beta}^{11} \Delta\beta_{(e)}^1 + \bar{\mathbf{r}}_{\beta}^1\right), \quad (67)$$

and then substituted to the first equation of (63). Finally, the equilibrium equation for the mixed finite element may be written in the standard form

$$J(\boldsymbol{\theta}^h, \delta\boldsymbol{\theta}^h, \Delta\boldsymbol{\theta}^h) = \sum_{j=1}^{N_e} \delta\mathbf{q}_{(e)}^T \left(\mathbf{K}_T^{(e)} \Delta\mathbf{q}_{(e)} - \mathbf{p}^{(e)} + \mathbf{r}^{(e)}\right) = 0, \quad (68)$$

where tangent element stiffness matrix $\mathbf{K}_T^{(e)}$ and element residual vector $\mathbf{r}^{(e)}$ are introduced

$$\mathbf{K}_T^{(e)} = \mathbf{K}_G^{(e)} + \mathbf{K}_{q\alpha}^{(e)} \left(\mathbf{K}_{\beta\alpha}^1\right)^{-1} \bar{\mathbf{K}}_{\beta\beta}^{11} \left(\mathbf{K}_{\alpha\beta}^1\right)^{-1} \mathbf{K}_{\alpha q}^{(e)}, \quad (69)$$

$$\mathbf{r}^{(e)} = \mathbf{r}_d^{(e)} + \mathbf{K}_{q\alpha}^{(e)} \left[\left(\mathbf{K}_{\beta\alpha}^1\right)^{-1} \bar{\mathbf{K}}_{\beta\beta}^{11} \left(\mathbf{K}_{\alpha\beta}^1\right)^{-1} \mathbf{r}_{\alpha}^1 + \left(\mathbf{K}_{\beta\alpha}^1\right)^{-1} \bar{\mathbf{r}}_{\beta}^1 \right]. \quad (70)$$

The global stiffness matrix \mathbf{K}_T and the global vectors \mathbf{p} , \mathbf{r} are obtained from the element matrices and vectors in the standard aggregation procedure. Then, the global set of equations $\mathbf{K}_T \Delta\mathbf{q} = \mathbf{p} - \mathbf{r}$ is solved using an incremental-iterative scheme. The displacements \mathbf{u} and the independent parameters $\Delta\alpha_{(e)}$, $\Delta\beta_{(e)}^1$ are updated in each increment and iteration. On the global level, the translations \mathbf{u} are updated additively, while the rotation tensor \mathbf{Q} is multiplicatively accumulated in the spatial representation, see for instance [46,47]

$$\mathbf{u}^{i+1} = \mathbf{u}^i + \Delta\mathbf{u}, \quad \mathbf{Q}^{i+1} = \Delta\mathbf{Q}\mathbf{Q}^i. \quad (71)$$

The independent strain and stress resultant parameters are updated on the element level

$$\beta_1^{i+1} = \beta_1^i + \Delta\beta_1^{(e)}, \quad \alpha_{(e)}^{i+1} = \alpha_{(e)}^i + \Delta\alpha_{(e)}, \quad (72)$$

making use of Eqs. (66) and (67). Since in this study a linear elastic material is used, thus in each iteration it holds $\bar{\mathbf{r}}_{\beta}^1 = \mathbf{0}$. This facilitates the update process of the independent parameters

$$\beta_1^{i+1} = \beta_1^i + \Delta\beta_1^{(e)}, \quad \alpha_{(e)}^{i+1} = \mathbf{P}_{\alpha\beta} \beta_1^{i+1}, \quad \Delta\beta_1^{(e)} = \mathbf{P}_{\beta q} \Delta\mathbf{q}_{(e)} + \bar{\mathbf{p}}_{\beta}, \quad (73)$$

where the following matrices and vector are introduced

$$\mathbf{P}_{\beta q} = \left(\mathbf{K}_{\alpha\beta}^1\right)^{-1} \mathbf{K}_{\alpha q}^{(e)}, \quad \mathbf{P}_{\alpha\beta} = \left(\mathbf{K}_{\beta\alpha}^1\right)^{-1} \bar{\mathbf{K}}_{\beta\beta}^{11}, \quad \bar{\mathbf{p}}_{\beta} = \left(\mathbf{K}_{\alpha\beta}^1\right)^{-1} \mathbf{r}_{\alpha}^1. \quad (74)$$

Taking into account (73) and (74) for linear elasticity problems, only the matrices $\mathbf{P}_{\beta q}$, $\mathbf{P}_{\alpha\beta}$ and the vectors β_1 , $\bar{\mathbf{p}}_{\beta}$ have to be saved in the memory of the authors' FEM code.

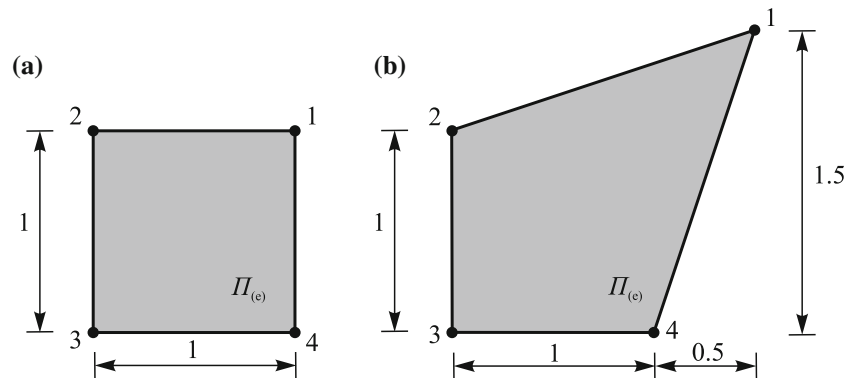
3.6 Proposed mixed hybrid shell elements

Taking into account two variants of the membrane components interpolation, two types of hybrid mixed shell elements are proposed in Table 1. The element code is assigned based on the total number of the independent strain and stress resultant parameters.

The 8-parameter (8p) interpolation of the membrane components means that 4 parameters for the constant part and 4 parameters for the varying part are assumed. While in the 6-parameter interpolation only 2 parameters for the varying part are used. The 8p interpolation is described by the matrices \mathbf{P}_{m4} , \mathbf{S}_{m4} and the 6p interpolation by the matrices \mathbf{P}_{m2} , \mathbf{S}_{m2} , respectively. In the MIX40, MIX44 elements, the natural coordinates are used in the interpolation of the assumed strain and stress resultants. The elements with interpolation defined in the skew coordinates are denoted by letter 's': MIX44s, MIX40s.

Table 1 Number of the independent strain and stress resultant parameters for the proposed shell elements

Element code	Assumed stress resultants $\alpha_{(e)}$				Assumed strains $\beta_{(e)}^1$				Enhanced strains $\beta_{(e)}^2$
	$N^{\alpha\beta}$	Q^α	$M^{\alpha\beta}$	M^α	$\varepsilon_{\alpha\beta}$	ε_α	$\kappa_{\alpha\beta}$	κ_α	
MIX44	8p	4p	6p	3p	8p	4p	6p	3p	2p
MIX40	6p	4p	6p	3p	6p	4p	6p	3p	2p

**Fig. 3** Eigenvalues of the tangent stiffness matrix, geometrical dimensions of a single finite element in the shape of square (a) and deltoid (b)

4 Numerical examples

The linear elastic constitutive relations, described in detail in other papers [30,31,47,48], are used in numerical examples. A characteristic for the nonlinear 6-parameter shell theory, the drilling couples M^β are calculated from the following constitutive equations

$$M^1 = \frac{1}{2}\alpha_t D(1-\nu)\kappa_1, \quad M^2 = \frac{1}{2}\alpha_t D(1-\nu)\kappa_2, \quad (75)$$

where D is the shell bending stiffness and α_t is the drilling correction factor, that may be interpreted also as a material parameter, see, e.g. [72]. Here, the following values (see [73]) of the shear correction factors $\alpha_s = 5/6$ and $\alpha_t = 0.7$ are assumed.

In this paper, results for the developed mixed hybrid element are compared with the solutions from literature, especially with the mixed 4-node HW47, HW29 elements [18] and the semi-EAS-ANS 4-node EANS4 element [48]. The authors' results obtained with 16-node displacements-rotations-based elements CAME16 [30] are assumed as basic reference solutions, since they are almost free of the locking phenomena.

4.1 Eigenvalues of the tangent matrix

Prior to nonlinear calculations, the spectrum of the stiffness matrix is studied. The eigenvalues and eigenvectors were computed for a single finite element without imposed boundary conditions to avoid masking of the presence of zero eigenvalues. The finite elements of a square and of a deltoid shape are analysed, see Fig. 3. Similarly as in [66], the following material properties $E = 10^6$, $\nu = 0.3$ and the shell thickness $h_0 = 0.1$ are assumed.

All developed mixed hybrid elements have a correct rank, since six zero eigenvalues, corresponding to the rigid body motions, were obtained for each element. The nonzero eigenvalues of different mixed shell elements of deltoid shape are compared in Fig. 4. A variant of the membrane components approximation has significant influence on the eigenvalues (see the range 6–8 in Fig. 4), while the influence of type of coordinates is relatively small. The minimally greater eigenvalues were determined for the elements with interpolation of strains and stress resultants defined in the natural coordinates (MIX44, MIX40) for the majority of eigenmodes. Moreover, all nonzero eigenvalues are positive.

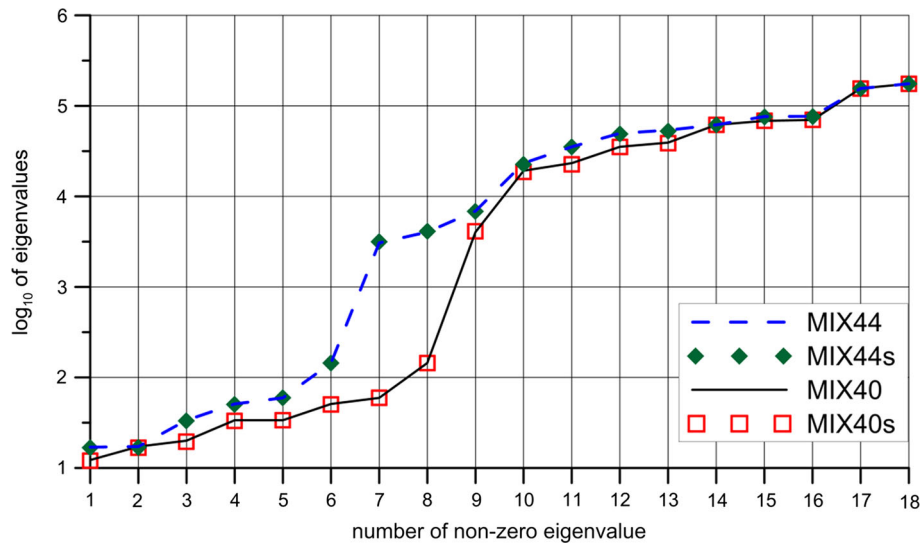


Fig. 4 Comparison of nonzero eigenvalues of the tangent matrix computed for the deltoid mixed hybrid shell elements

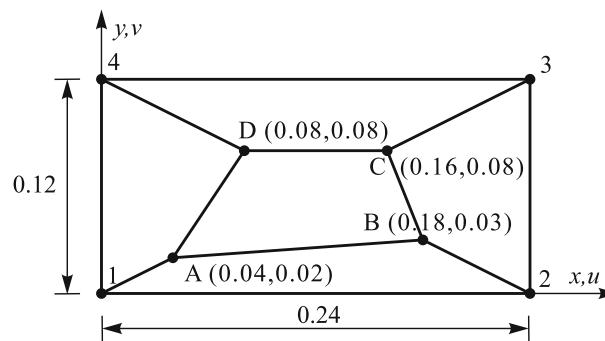


Fig. 5 Patch test: finite element mesh, geometry

4.2 Constant strain patch test

Following [74], the irregular mesh consisting of five finite elements is investigated, see Fig. 5. The material data and the shell thickness are assumed as follows: $E = 10^6$, $\nu = 0.25$, $h_0 = 0.001$. In the membrane patch test, the values of selected displacements are prescribed at the external nodes (1–4) using formulae

$$u = 0.001(x + y/2), \quad v = 0.001(y + x/2), \quad \varphi_z = 0, \quad (76)$$

which generate the constant strain field and the constant stress field in the shell plane. The proposed mixed elements pass the membrane patch test, since the values of displacements computed at the internal nodes agree with the values from Eq. (76).

In passing it is worthy to note that special variants of the membrane patch test for elements with the drilling rotation were proposed in [66]. They verify the presence of additional nonphysical drilling rotation field. In the most demanding variant of this test, the drilling rotations are free at the nodes 1–4. The proposed mixed elements fulfil this test, as the values of the drilling rotation are zero at all nodes.

The constant strain field ($\kappa_{xx} = \kappa_{yy} = 0.001$, $\kappa_{xy} = \kappa_{yx} = -5 \times 10^{-4}$) in the bending patch test is induced by enforcement of the following deflection and rotation fields at the external nodes

$$w = 0.0005(x^2 + xy + y^2), \quad \varphi_x = 0.0005(x + 2y), \quad \varphi_y = -0.0005(2x + y). \quad (77)$$

Consequently, the state of the constant strains and bending moments was obtained in all developed elements. Moreover, the values of deflections at the internal nodes (A, B, C, D)

$$w_A = 1.400 \times 10^{-6}, \quad w_B = 1.935 \times 10^{-5}, \quad w_C = 2.24 \times 10^{-5}, \quad w_D = 9.600 \times 10^{-6}, \quad (78)$$

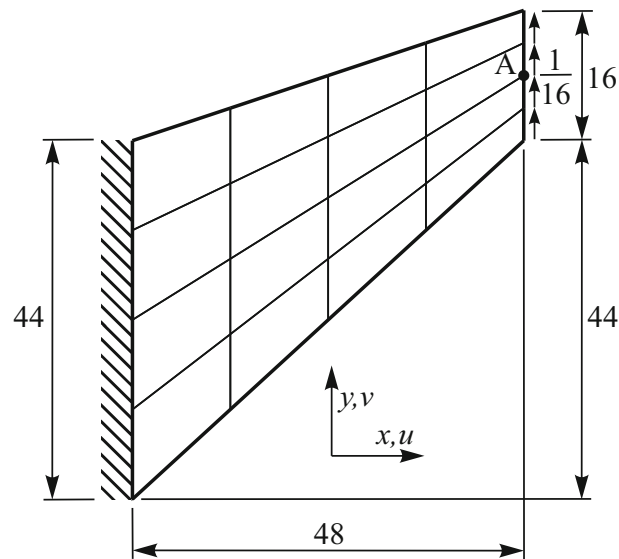


Fig. 6 Cook's membrane: geometry, boundary conditions, 4×4 mesh

Table 2 Comparison of values of displacement v_A and drilling rotation φ_A computed in node A of the Cook's membrane (see Fig. 6) for different meshes and finite elements

Element	Mesh 2×2		Mesh 4×4		Mesh 32×32	
	v_A	φ_A	v_A	φ_A	v_A	φ_A
P-S [7]	21.13	–	23.02	–	–	–
QE2 [76]	21.35	–	23.04	–	–	–
HW29, HW47	21.317	0.925	–	–	23.936	0.891
EANS4	20.420	0.950	22.703	0.800	23.898	0.891
MIX44	20.411	0.949	22.702	0.800	23.898	0.891
MIX44s	20.566	0.985	22.715	0.786	23.898	0.891
MIX40	21.112	0.842	23.010	0.817	23.920	0.889
MIX40s	21.309	0.854	23.024	0.817	23.920	0.889

are equal to the values computed from Eq. (77), so the mixed hybrid elements pass also the bending patch test. The constant strain patch tests confirm correctness of the elements' formulation and their implementation into authors' FEM code in the linear range.

4.3 Cook's membrane

The example was proposed in [75] as a demanding test of 2D finite elements under in-plane shear loading. Here, the Cook's test is used to evaluate a quality of the developed shell elements in the in-plane bending. A characteristic feature of this example is the skew and tapered shape of finite elements, see Fig. 6. The material parameters are: $E = 1$, $\nu = 1/3$. The membrane of the thickness $h_0 = 1$ is fixed on the left edge and uniformly loaded on the right edge by the total force $P = 1$. A discretization 4×4 and geometrical dimensions are presented in Fig. 6. The computations were performed also for a coarse mesh 2×2 and a fine mesh 32×32 .

The values of the vertical displacement v_A and the drilling rotation φ_A at the middle node A on the right edge (see Fig. 6) computed by the authors' mixed elements are presented in Table 2. The greatest value of v_A was determined for the MIX40s element. This value is in a very good agreement with the reference values from papers [7, 18, 76]. Application of the skew coordinates in the interpolation of the assumed stress resultants and strains gives more accurate results compared to the natural coordinates. A slight locking effect is observed in the solutions obtained by the elements with the 8-parameter interpolation of the membrane components (MIX44, MIX44s). The variant of interpolation of the membrane shear components has the greatest influence on the value of φ_A . Table 2 shows that also the type of coordinates affects the drilling rotation value.

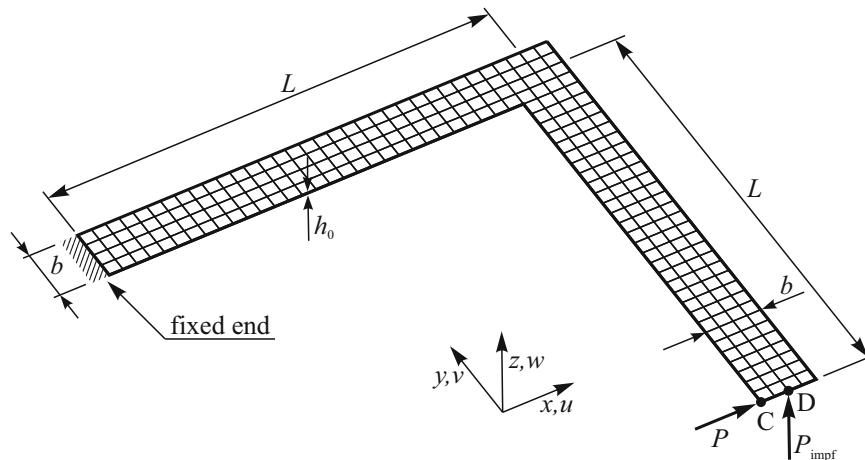


Fig. 7 L-shaped frame: geometry, boundary conditions, $(32+32)\times 4$ discretization

Table 3 L-shaped frame, comparison of the nonlinear buckling forces P_{cr} computed for two variants of load, three FE meshes and using different shell finite elements

Discretization	$(16+16)\times 2$		$(32+32)\times 4$		$(64+64)\times 8$	
	A	B	A	B	A	B
WG4 [16]	1.137	–	1.128	–	1.125	–
Simo et al. [78]	1.137	–	1.128*	0.742*	–	–
CAMe16	1.1261	0.7323	1.1226	0.7311	–	–
EANS4	1.1391	0.7377	1.1292	0.7335	1.1248	0.7319
MIX44	1.1354	0.7363	1.1277	0.7329	1.1242	0.7317
MIX40	1.1354	0.7363	1.1276	0.7329	1.1242	0.7317

* the value for ‘converged solution’

4.4 L-shaped frame

The L-shaped frame is the first example analysed here in a geometrically nonlinear range. It was used originally in [77] and then applied in many papers (e.g. [16, 18, 48, 78]) as a test of the bending part of shell element formulations. The following geometrical dimensions: $L = 240$, $b = 30$, $h_0 = 0.6$ (see Fig. 7) and the material parameters: $E = 7.124 \times 10^4$, $\nu = 0.31$ are assumed. The frame is clamped at the left end and loaded by in-plane force P at point C.

The introduction of the imperfection load $P_{\text{impf}} = P/1000$ at point D (Fig. 7) allows to compute the nonlinear buckling loads and the postbuckling paths. Three FE meshes: $(16+16)\times 2$ (16 FE in the leg axis, 2 FE on the width of leg), $(32+32)\times 4$ (Fig. 7) and $(64+64)\times 8$ are used in computations. Similarly as in [78], two variants of load are investigated: variant A presented in Fig. 7 $P_A = P$ and variant B with the forces $P_B = -P$ and $P_{\text{impf}}^B = -P_{\text{impf}}$ acting in the opposite direction.

The critical buckling forces P_{cr} computed in nonlinear stability analyses using the developed mixed elements are presented in Table 3 for different FE meshes. The values of P_{cr} are almost the same for all authors’ mixed elements and are in a very good agreement with the reference values from papers [16, 78]. Compared to the basic reference solution (CAMe16), the critical loads for the mixed elements are slightly more accurate than values for the EANS4 element. The nonlinear postbuckling paths computed for a $(16+16)\times 2$ mesh are presented in Fig. 8. The increment $\Delta P = 1$ is used in the first step and the arc-length method in the following steps.

A lower number of large steps (see Fig. 8) than in papers [16, 18] show the efficiency of the proposed mixed elements. The computations performed with the MIX44 element needed 5 steps (17 iterations), whereas the MIX40 element required only 4 steps (16 iterations). The developed mixed elements are more efficient in comparison with the HW29, EANS4 elements that needed 67 and 73 equilibrium iterations, respectively.

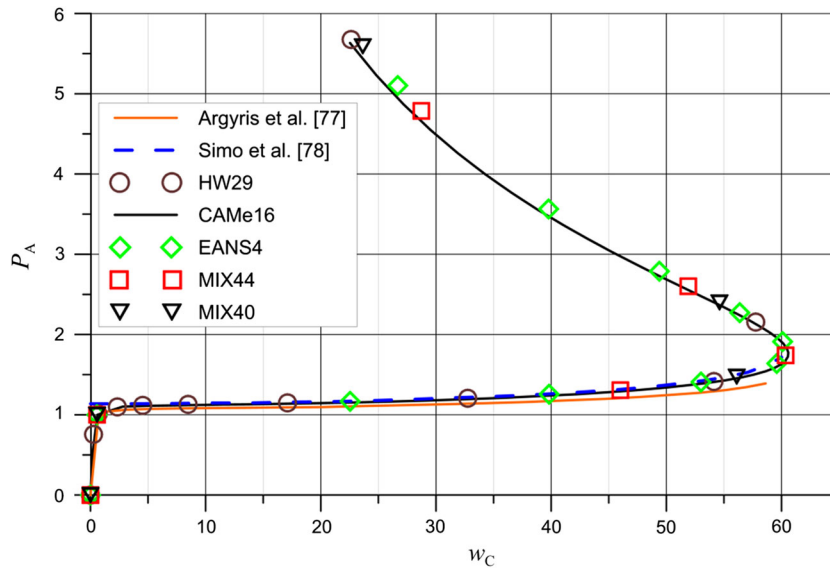


Fig. 8 L-shaped frame: comparison of nonlinear load-deflection curves $P_A(w_C)$ computed for different shell finite elements, $(16+16) \times 2$ mesh, load variant A

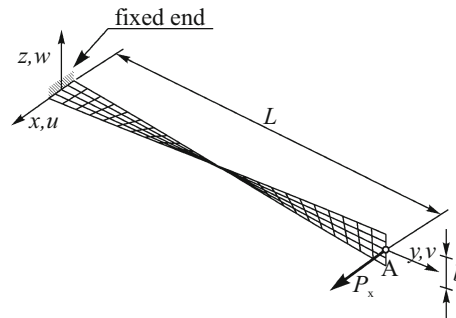


Fig. 9 Twisted beam: geometry, boundary conditions, 4×24 mesh

4.5 Twisted beam

The example of the clamped beam twisted about 90° and loaded by concentrated force at the tip was originally proposed in [74]. This test is used to evaluate the influence of warping on the performance of the proposed mixed shell elements. We analyse the most demanding version of this test [18] with a very small shell thickness $h_0 = 0.0032$; hence, shell elements are more prone to the membrane locking. The other geometric dimensions are as follows: $L = 12$, $b = 1.1$, see Fig. 9. The material properties: $E = 2.9 \times 10^7$, $\nu = 0.22$ and a 4×24 finite element mesh (Fig. 9) are assumed in geometrically nonlinear analyses. Despite the warped shape of finite elements, the authors' analyses show that type of coordinates has almost no influence on results; thus, only solutions for the natural coordinates are presented below.

The nonlinear equilibrium paths for the developed mixed elements are compared with the reference curves in Fig. 10. Additionally, the computed values of translations u_A , w_A at point A are reported in Table 4 for the three levels of load. Some discrepancies between the authors' and the reference solutions (see Fig. 10, Table 4) are caused by more than 16 times greater number of nodes in a 6×36 mesh of the CAMe16 elements. These differences almost disappear after double mesh refinement, see curves for MIX40 (8×48 mesh) in Fig. 10. The load-deflection paths $P_x(u_A)$ (Fig. 10) show that the MIX40 element yields more accurate results than the MIX44 element, which gives almost the same results as the EANS4 element.

Then, the convergence rate of the developed mixed elements is evaluated. The maximum load increment ΔP (with accuracy 0.001) and the total number of iterations were determined in the nonlinear analysis up to the force $P_x = 0.01$. The values for different shell element formulations are compared in Table 5. The developed mixed elements allowed to use significantly greater ΔP in comparison with the EANS4 and CAM16 elements.

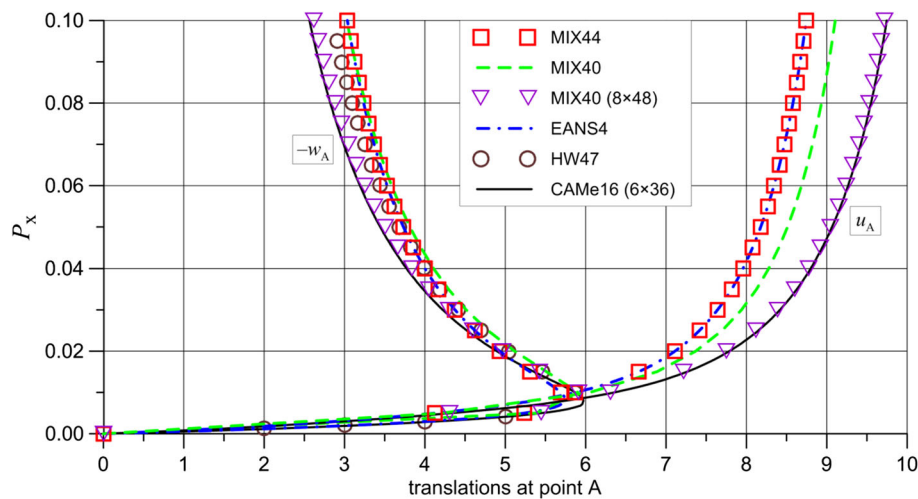


Fig. 10 Twisted beam: comparison of the nonlinear load-deflection curves $P_x(u_A)$, $P_x(-w_A)$ computed by the authors' mixed elements with the reference curves, 4×24 mesh

Table 4 Twisted beam: the values of translations u_A , w_A at point A computed for the three levels of force P_x and different shell element formulations

Element/translations	$P_x = 0.01$		$P_x = 0.02$		$P_x = 0.1$	
	u_A	$-w_A$	u_A	$-w_A$	u_A	$-w_A$
MIX44	5.8707	5.6897	7.1125	4.9294	8.7456	3.0329
MIX40	6.0495	5.9042	7.3708	5.1133	9.1063	3.0292
EANS4	5.8693	5.6909	7.1110	4.9314	8.7451	3.0354
HW47	–	5.86	–	5.04	–	2.85
CAMe16	6.3547	5.8696	7.7881	4.8931	9.7465	2.5621

Table 5 Twisted beam: comparison of the maximum load increment ΔP , number of steps and the total number of equilibrium iterations for different shell element formulations

Element	CAMe16	EANS4	HW47	MIX44	MIX40
Max ΔP	4×10^{-4}	8×10^{-5}	0.005	0.005	0.005
No. of steps	250	1250	20	20	20
No. of iterations	807	5072	109	76	54

They require also meaningfully less equilibrium iterations than all reference elements. Table 5 shows that the elements with 6-parameter interpolation of the membrane components are slightly more effective, because of the lower number of iterations.

4.6 Pinched clamped cylinder

In this example proposed in [79], the influence of mesh distortion on the results is investigated for shell with nonplanar geometry. In this order, regular and irregular 8×16 , 16×32 (Fig. 11) meshes with two times greater number of elements along cylinder axis than in radial direction were generated. The cylindrical shell is loaded by two opposite forces P at free end and fixed on the other end. The double symmetry of the geometry, boundary conditions and load is exploited in computations, see Fig. 11. The following material properties: $E = 2.0685 \times 10^7$, $\nu = 0.3$ and geometric dimensions $R = 1.016$, $L = 3.048$, $h_0 = 0.03$ are assumed.

The values of deflection w_A computed in the linear analysis ($P = 1000$) for different shell elements and FE meshes are presented in Table 6. The type of coordinates has no influence on the value of w_A for regular mesh. In the case of irregular discretization (Fig. 11b), application of the MIX44 elements gives slightly more accurate deformation than the MIX44s elements, while the closest value of w_A to the reference solution for 8×16 discretization was obtained for the MIX40s element.

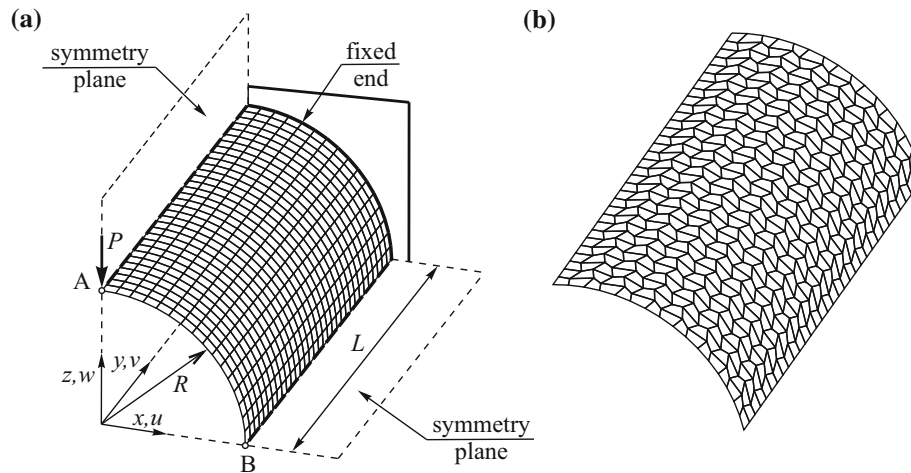


Fig. 11 Pinched clamped cylinder: **a** geometry, boundary conditions, 16×32 regular mesh, **b** 16×32 distorted mesh

Table 6 Pinched clamped cylinder: the comparison of the values of deflection w_A at point A for different shell element formulations, linear analysis $P = 1000$

Mesh	Type	CAMe16	EANS4	MIX44	MIX44s	MIX40	MIX40s
8×16	Regular	-0.82856	-0.74711	-0.75547	-0.75547	-0.75709	-0.75709
	Distorted		-0.59524	-0.61031	-0.61018	-0.63699	-0.63740
16×32	Regular	-0.83631	-0.80473	-0.80856	-0.80856	-0.80905	-0.80905
	Distorted		-0.73103	-0.73644	-0.73621	-0.74437	-0.74433

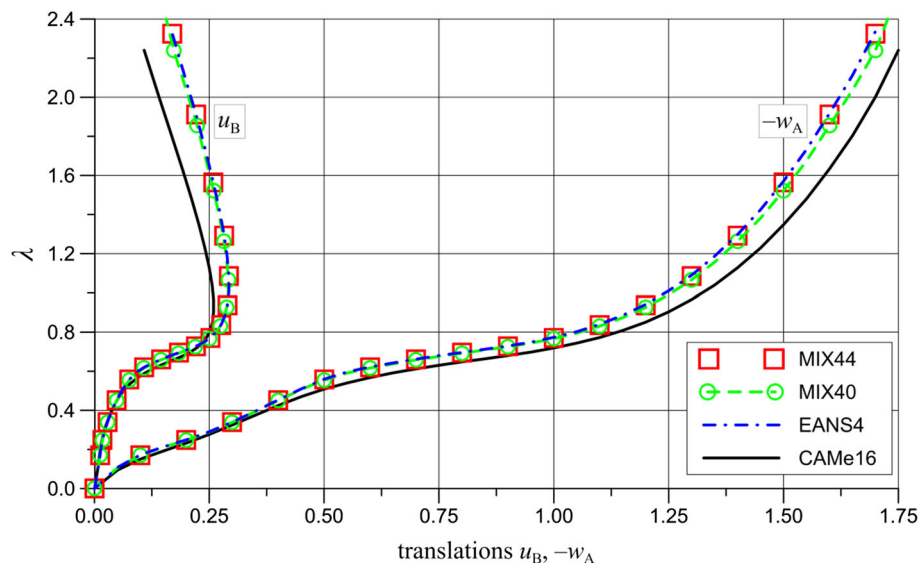


Fig. 12 Pinched clamped cylinder: comparison of the equilibrium paths $\lambda(u_B)$, $\lambda(-w_A)$ computed by the authors' mixed elements with the reference curves, regular 8×16 mesh

Then nonlinear analyses were performed for concentrated load $P = \lambda P_{\text{ref}}$ ($P_{\text{ref}} = 500$) using displacement control method. The nonlinear equilibrium paths computed for regular 8×16 mesh are presented in Fig. 12. Some discrepancies between the curves obtained for the developed mixed elements and the reference curves almost disappear after double mesh refinement, see Fig. 13. The equilibrium paths $\lambda(u_B)$, $\lambda(-w_A)$ (Fig. 12) show that the MIX40 element gives slightly more accurate deformation than the MIX44 and EANS4 elements.

The influence of mesh distortion on the values of load factor λ for chosen values of deflection w_A is presented in Table 7. The values computed by the proposed mixed elements for irregular discretizations 8×16

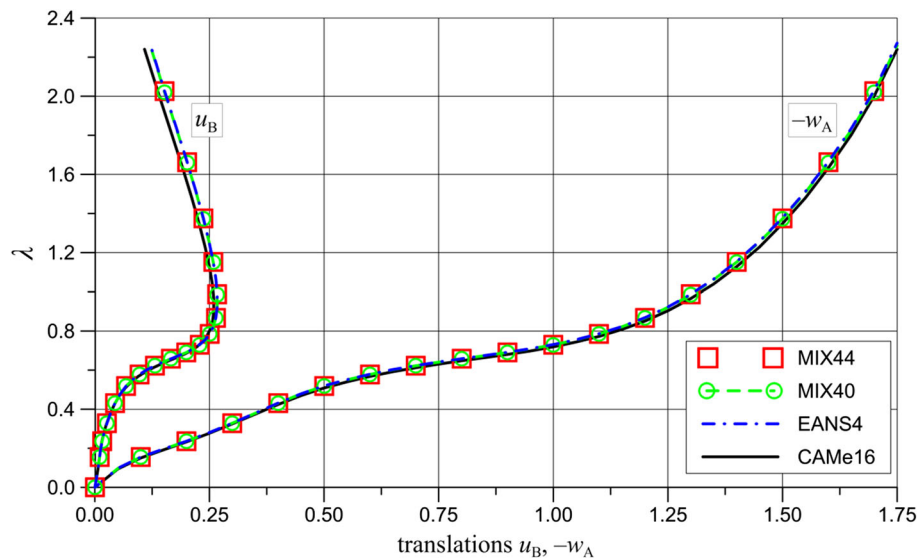


Fig. 13 Pinched clamped cylinder: comparison of the equilibrium paths $\lambda(u_B)$, $\lambda(-w_A)$ computed by the authors' mixed elements with the reference curves, regular 16×32 mesh

Table 7 Pinched clamped cylinder: the comparison of values of λ computed for chosen values of deflection w_A , irregular mesh, reference solution for regular 8×16 mesh of the CAME16 elements

Reference	Deflection	Mesh	EANS4	MIX44	MIX44s	MIX40	MIX40s
0.1505	$w_A = -0.1$	8×16	0.2178	0.2117	0.2123	0.2037	0.2037
		16×32	0.1747	0.1735	0.1737	0.1714	0.1714
0.5083	$w_A = -0.5$	8×16	0.9375	0.9220	0.9255	0.8788	0.8777
		16×32	0.6692	0.6672	0.6687	0.6517	0.6520
0.7726	$w_A = -1.1$	8×16	2.0946	2.0621	2.0674	1.9173	1.9225
		16×32	1.1580	1.1547	1.1582	1.1182	1.1196
2.2401	$w_A = -1.75$	16×32	2.8669	2.8499	2.8560	2.7536	2.7554

and 16×32 are compared with the reference values obtained for regular 8×16 mesh of the CAME16 elements. The locking effect and greater differences between values of λ for specific shell elements are observed for irregular mesh compared to the regular mesh. The smallest values of λ , the closest to the reference solution, are obtained for the MIX40 element, except value of λ computed for mesh 8×16 and $w_A = -0.5$. Table 7 shows that mixed elements MIX44 and MIX40 give slightly more precise solution for mesh 16×32 than the corresponding elements with interpolation defined in the skew coordinates.

4.7 Pinched hemisphere with a 18° hole

The hemispherical shell with a 18° hole is analysed as well-known example (see, e.g. [16, 18, 44, 47, 48, 78]) of doubly curved shell. The characteristic features of this benchmark test are large almost in-extensional deformation, small strains and trapezoidal-shaped finite elements. Compared to the original version of this example proposed by MacNeal and Harder [74], here a four times smaller shell thickness $h_0 = 0.01$ is assumed to make shell even more prone to the membrane locking. We analyse only the quarter of the hemisphere with a radius $R = 10$ (see Fig. 14), due to the double symmetry of the task. The boundary conditions and the external forces are presented in Fig. 14. The material data are as follows: $E = 6.825 \times 10^7$, $\nu = 0.3$.

The values of displacement w_A at point A computed in the linear analysis for force $P = 1$ are presented in Table 8. The translations obtained for the developed mixed elements are compared with the reference values for different meshes. The elements with the interpolation of the assumed stress resultants and strains defined in the natural coordinates yield more accurate deformation for coarse meshes than the elements formulated in the skew coordinates. Table 8 shows also that deformation computed by the MIX40 elements is almost not corrupted by the locking effect, despite the very thin shell thickness.

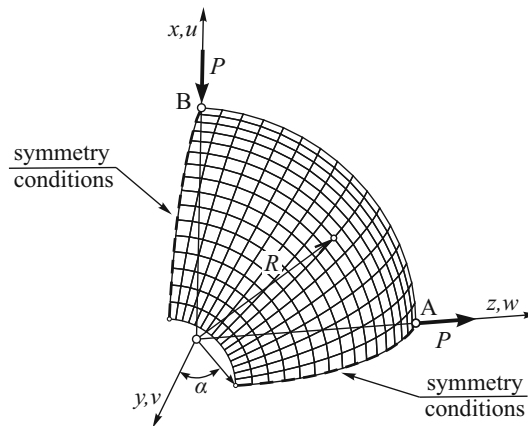


Fig. 14 Pinched hemisphere with a 18° hole: geometry, boundary conditions, mesh 16×16 FE

Table 8 Pinched hemisphere: the comparison of the values of translations w_A , $-u_B$ for different shell element formulations and FE meshes, linear analysis $P = 1$

Element/FE mesh	Translation $w_A = -u_B$			
	6×6	8×8	16×16	64×64
MIX44	4.8452	5.6357	5.8542	5.8903
MIX44s	3.7997	5.3253	5.8486	5.8903
MIX40	5.4561	5.7789	5.8568	5.8903
MIX40s	4.9499	5.6663	5.8549	5.8903
EANS4	4.7969	5.5987	5.8429	5.8894
HW47	–	5.3879	5.7679	5.8924
CAMe16	4.9810	5.6166	5.8723	–

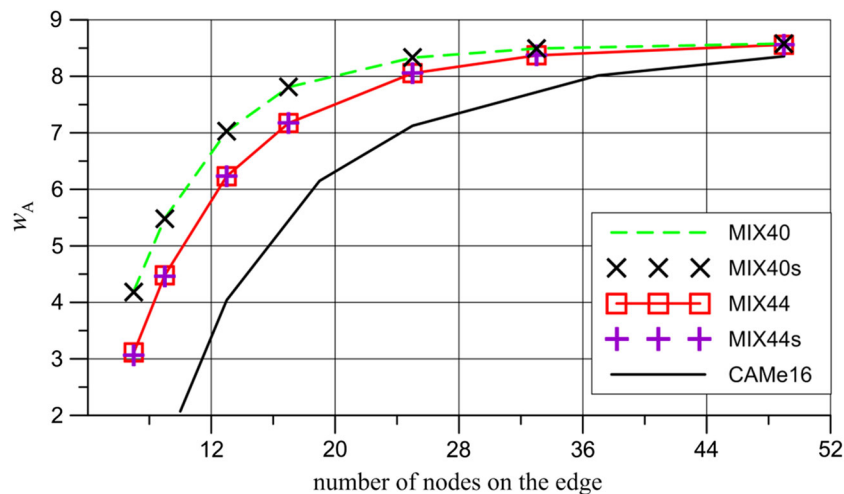


Fig. 15 Pinched hemisphere: the influence of FE mesh density on the value of displacement w_A computed in nonlinear analysis, load $P = 4$

Then, the mesh convergence analysis is performed in a geometrically nonlinear range. The values of translation w_A computed for the total force $P = 4$ and different shell element formulations are compared in Fig. 15. The developed mixed elements enable the faster convergence to the reference solution than the CAMe16 element. The 16×16 FE mesh (see Fig. 14) is assumed in the further nonlinear analyses to compare results with the reference solution from the literature and to expose differences between the proposed elements.

The equilibrium paths obtained for the authors' mixed elements are compared with the reference solutions in Fig. 16. The load-deflection curves for the MIX40, MIX40s elements are in a very good agreement with

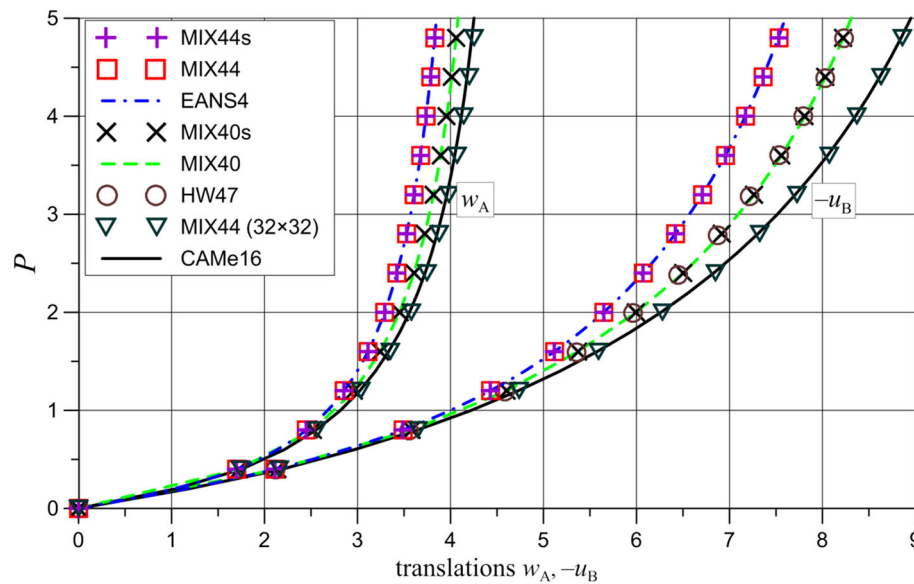


Fig. 16 Pinched hemisphere: comparison of the nonlinear load-deflection curves $P(w_A)$, $P(-u_B)$ computed by the authors' mixed elements with the reference curves, 16×16 mesh

Table 9 Pinched hemisphere: the values of translations w_A , $-u_B$ computed for the three levels of force P and different shell element formulations, nonlinear analysis

Element/translation	$P = 0.8$		$P = 4.8$		$P = 8.8$	
	w_A	$-u_B$	w_A	$-u_B$	w_A	$-u_B$
MIX44	2.4509	3.4899	3.8309	7.5337	4.0897	8.5755
MIX44s	2.4496	3.4875	3.8305	7.5324	4.0895	8.5747
MIX40	2.5207	3.5820	4.0595	8.2213	4.3361	9.3889
MIX40s	2.5206	3.5817	4.0595	8.2213	4.3361	9.3887
HW47	–	3.56	–	8.24	–	–
EANS4	2.4493	3.4875	3.8294	7.5244	4.0883	8.5668
CAMe16	2.5556	3.6444	4.2292	8.8464	4.5106	10.1958

the curve for the mixed HW47 element. The mixed elements with 8-parameter interpolation of the membrane components (MIX44s, MIX44) yield almost the same deformation as the EANS4 element. The values of translations w_A at point A and u_B at point B computed in the nonlinear analysis for the different shell elements and the three levels of load are reported in Table 9. The results of the linear and nonlinear analyses (Tables 8, 9) indicate that the elements with poorer interpolation of the membrane components (MIX40, MIX40s) give more accurate results than other mixed elements. The differences between the solutions for the mixed elements and the CAME16 element are caused by the very low shell thickness, and they almost disappear for 32×32 FE mesh, see curves for the MIX44 element in Fig. 16.

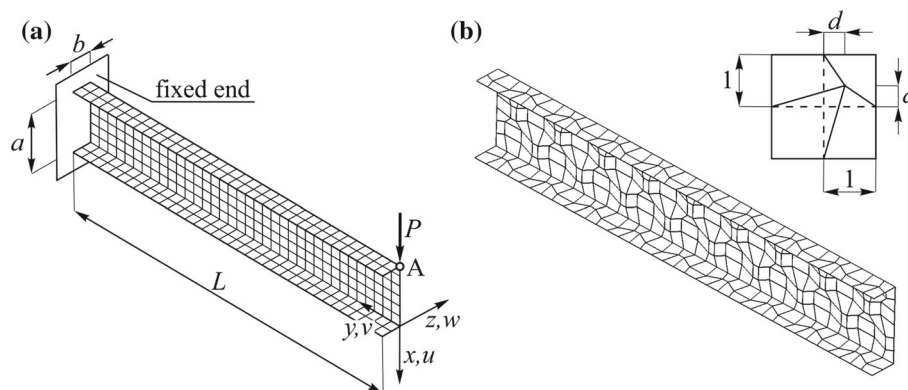
To evaluate the overall efficiency (robustness) of the proposed mixed elements, the radius and rate of convergence of the Newton method is measured. Namely, the maximum load increment ΔP_1 in the first step of nonlinear analysis is identified for each element with the accuracy of 0.05. The value of load increment ΔP_1 and number of iterations in the first step are compared with the values for the reference shell elements in Table 10. The maximum load increment is observed for the MIX40, MIX40s elements. Then, the efficiency of the mixed elements is tested in the nonlinear analysis for the total force $P = 8.8$. For each element, the analysis is performed with minimal number of increments and the corresponding maximum step ΔP . The value of ΔP and number of iterations in all increments are presented in Table 11. The values in Tables 10 and 11 show that all developed elements allow for slightly greater step increments and require less Newton iterations than the HW47 element. Moreover, the convergence rate of the proposed elements is significantly better compared to the CAME16 and EANS4 elements.

Table 10 Pinched hemisphere: comparison of the maximum load increment ΔP_1 and number of iterations in the first increment of nonlinear analysis for different shell element formulations

Element	CAMe16	EANS4	HW47	MIX44	MIX44s	MIX40, MIX40s
Max ΔP_1	0.25	0.07	0.80	0.90	0.90	0.95
No. of iterations	7	5	10	7	6	7

Table 11 Pinched hemisphere: the maximum load increment ΔP , number of steps and the total number of equilibrium iterations in the nonlinear analysis up to load $P = 8.8$

Element	CAMe16	EANS4	HW47	MIX44, MIX44s	MIX40, MIX40s
Max ΔP	0.20	0.05	0.80	0.88	0.88
No. of steps	44	176	11	10	10
No. of iterations	158	723	62	41	40

**Fig. 17** Channel section beam: **a** initial geometry, boundary conditions, regular $(2+6+2) \times 36$ mesh; **b** distorted $(2+6+2) \times 36$ mesh, distortion parameter d

4.8 Channel section beam

The short-channel section cantilever beam is analysed as an example of the shell with orthogonal intersections that was originally introduced in paper [30]. A characteristic feature of this benchmark is the issue of local and global loss of stability and coupling of the membrane stress state with the bending and torsional stress state. The beam is subjected to the concentrated force $P = \lambda P_{\text{ref}}$ ($P_{\text{ref}} = 100$) at point A (see Fig. 17a) and fully clamped at the other end. The following geometric dimensions: $L = 36$, $b = 2$, $d = 6$ (Fig. 17a) and the shell thickness $h_0 = 0.05$ are assumed. The material data for the channel section beam are as follows: $E = 10^7$, $\nu = 0.333$. Figure 17a shows the assumed $(2+6+2) \times 36$ FE mesh consisting of square elements of size 1×1 . The computations were performed also for irregular mesh generated by introduction of in-plane distortion $d = 0.25$ in the case of internal nodes, see Fig. 17b.

The nonlinear load-deflection curves for the displacement u_A at point A computed for regular mesh are presented in Fig. 18. The equilibrium paths are shown only for the MIX40 and MIX44 elements, since the results for the natural and skew coordinates are equivalent for square finite elements. The displacement control analysis ceased to converge for translation $u_A = 4.4$ in the case of MIX44 element and $u_A = 5.6$ for the MIX40 element. The solutions obtained for the mixed elements are slightly locked in comparison with the reference curves for the HW47 and CAMe16 elements. On the other hand, they are minimally more accurate than solution for the EANS4 element. A discrepancy between the results is the effect of the coarse mesh that does not allow to model precisely local buckling form of deformation at the channel top flange, see Fig. 19. For the same number of degrees of freedom, a very good agreement with the basic reference solution is obtained, see curve obtained for the mesh $(6+18+6) \times 108$ of the MIX40 elements in Fig. 18.

Extreme values λ_{extr} of the load factor and values of λ for given values of displacement u_A are compared in Table 12 for two types of discretization and different shell elements. In the initial phase of deformation

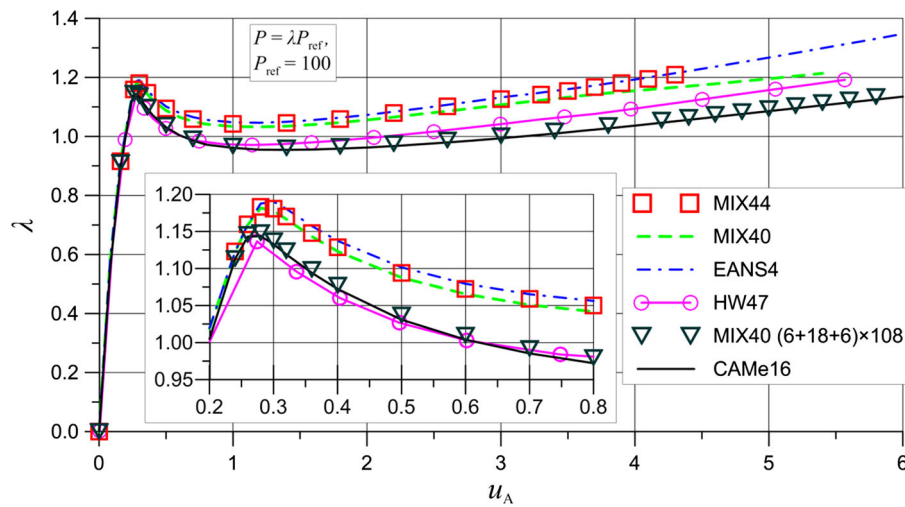


Fig. 18 Channel section beam: comparison of the equilibrium paths $\lambda(u_A)$ computed by the authors' mixed elements with the paths for the reference elements, $(2 + 6 + 2) \times 36$ mesh

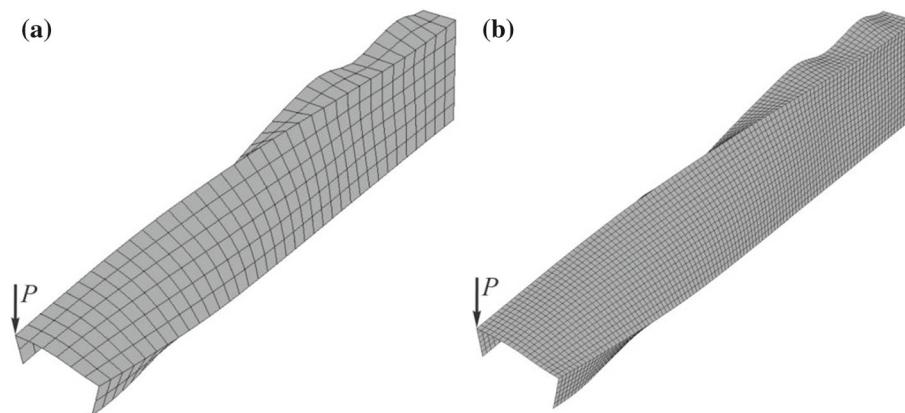


Fig. 19 Channel section beam, deformed configuration for displacement $u_A = 5.0$: **a** $(2 + 6 + 2) \times 36$ mesh, **b** $(6 + 18 + 6) \times 108$ mesh

Table 12 Channel section beam: load factors λ for four given values of deflection u_A at point A, extreme values of load factor λ_{extr} at the limit point of curve $\lambda(u_A)$, $(2 + 6 + 2) \times 36$ mesh

Mesh	Regular					Distorted				
	CAMe16	EANS4	HW47	MIX44	MIX40	EANS4	MIX44	MIX44s	MIX40	MIX40s
$u_A = 0.16$	0.8970	0.9161	0.88	0.9161	0.9156	0.9348	0.9347	0.9327	0.9299	0.9279
λ_{extr}	1.147	1.192	1.14	1.184	1.183	1.227	1.216	1.214	1.211	1.209
$u_A = 1.0$	0.9610	1.0478	0.97	1.0415	1.0342	1.0836	1.0739	1.0705	1.0580	1.0540
$u_A = 3.0$	0.9937	1.1320	1.04	1.1259	1.1082	–	1.1970	1.1933	1.1586	1.1535
$u_A = 4.5$	1.0609	1.2290	1.13	–	1.1797	–	1.3328	1.3292	1.2734	1.2667

($u_A \leq 1.0$), the mesh distortion has relatively small impact on value of λ . In the postbuckling range, the elements MIX44s and MIX40s yield slightly more accurate results compared to the MIX44 and MIX40 elements, respectively. This indicates that in this example the skew coordinates should be used when distorted mesh is considered.

5 Conclusions

In the paper, original mixed hybrid shell elements with the asymmetric assumed strains and stress resultants are formulated based on the Hu–Washizu principle. The new elements extend the library of elements implemented in the nonlinear 6-parameter shell theory. The accuracy and correctness of the proposed shell elements are positively verified and tested in various numerical examples. The obtained results show that the MIX40s and MIX40 elements are less prone to the membrane locking than the MIX44s and MIX44 elements. Moreover, the MIX40s and MIX40 elements are more accurate than the EANS4 element and give comparable results to the mixed HW47 element. The computations performed for irregular meshes show that the elements with interpolation defined in the skew coordinates give more accurate results in the examples with planar geometry (Cook's test, channel section beam). The application of the natural coordinates is beneficial in the examples of curved shells: pinched hemisphere and pinched clamped cylinder, but only for 16×32 mesh. However, the type of coordinates has relatively small influence on the results, because the difference between solutions obtained for the natural and skew coordinates is greater than 1% only in the pinched hemisphere test for coarse meshes 6×6 , 8×8 . The specific correction of the parent coordinates applied, for example, in [10, 16, 67] was not used here, because for the proposed interpolation scheme of the assumed stress resultants and strains it gives the same results as the natural coordinates. The high efficiency of the proposed mixed elements is presented in the examples of twisted beam and pinched hemisphere. They allow for significantly larger load steps than the previous EANS4 and CAME16 elements formulated in the nonlinear 6-parameter shell theory. They require also less equilibrium iterations than the mixed HW47 element. The convergence rate of the MIX40s and MIX40 elements is slightly better than the MIX44s and MIX44 elements. Taking into account their high accuracy and robustness, the shell elements MIX40, MIX40s are selected as the best performers from the developed mixed hybrid elements. Their advantage is also the lowest number of the independent parameters which is associated with the shortest time of a single iteration.

Appendix A: Geometric stiffness matrix

The geometric part of the second variation of the Hu–Washizu functional (20) may be written as follows

$$\begin{aligned} \Delta \sigma_G &= \mathbf{s}^T \Delta \delta \boldsymbol{\varepsilon}(\mathbf{u}) = \delta \boldsymbol{\varepsilon}^T \mathbf{N}^T \Delta \boldsymbol{\psi} + \mathbf{w}^T \mathbf{N} \Delta \boldsymbol{\varepsilon} + \mathbf{w}^T \mathbf{E} \Delta \boldsymbol{\psi} + \delta \boldsymbol{\kappa}^T \mathbf{M}^T \Delta \boldsymbol{\psi} \\ &= \delta \mathbf{d}^T \mathbf{G} \Delta \mathbf{d} = \mathbf{w}^T \mathbf{D}^T \mathbf{G} \mathbf{D} \Delta \mathbf{u} = \mathbf{w}^T \mathbf{k}_G \Delta \mathbf{u}, \end{aligned} \quad (\text{A.1})$$

where the matrices \mathbf{D} and \mathbf{G} are introduced in the following form

$$\delta \mathbf{d} = \begin{Bmatrix} \delta \boldsymbol{\varepsilon} \\ \delta \boldsymbol{\kappa} \\ \mathbf{w} \end{Bmatrix} = \begin{bmatrix} \mathbf{B}_u & \mathbf{B}_f \\ \mathbf{0}_{(6 \times 3)} & \mathbf{B}_h \\ \mathbf{0}_{(3 \times 3)} & \mathbf{1}_3 \end{bmatrix} \begin{Bmatrix} \mathbf{v} \\ \mathbf{w} \end{Bmatrix} = \mathbf{D} \mathbf{w}, \quad \mathbf{G} = \begin{bmatrix} \mathbf{0}_{(6 \times 6)} & \mathbf{0}_{(6 \times 6)} & \mathbf{N}^T \\ \mathbf{0}_{(6 \times 6)} & \mathbf{0}_{(6 \times 6)} & \mathbf{M}^T \\ \mathbf{N} & \mathbf{0}_{(3 \times 6)} & \mathbf{E} \end{bmatrix}. \quad (\text{A.2})$$

Equations (A.1), (A.2) allow to define the geometric matrix \mathbf{k}_G in the form

$$\mathbf{k}_G = \mathbf{D}^T \mathbf{G} \mathbf{D} = \begin{bmatrix} \mathbf{0} & \mathbf{B}_u^T \mathbf{N}^T \\ \mathbf{N} \mathbf{B}_u & \mathbf{N} \mathbf{B}_f + \mathbf{B}_f^T \mathbf{N}^T + \mathbf{E} + \mathbf{B}_h^T \mathbf{M}^T \end{bmatrix}, \quad (\text{A.3})$$

where

$$\mathbf{N} = \begin{bmatrix} Q^1 & 0 & 0 & Q^2 & -N^{11} & -N^{21} \\ 0 & Q^2 & Q^1 & 0 & -N^{12} & -N^{22} \\ -N^{12} & N^{21} & N^{11} & -N^{22} & 0 & 0 \end{bmatrix}, \quad (\text{A.4})$$

$$\mathbf{M} = \begin{bmatrix} 0 & -M^2 & -M^1 & 0 & M^{12} & M^{22} \\ M^1 & 0 & 0 & M^2 & -M^{11} & -M^{21} \\ -M^{12} & M^{21} & M^{11} & -M^{22} & 0 & 0 \end{bmatrix}, \quad (\text{A.5})$$

$$\mathbf{E} = \begin{bmatrix} N^{\beta 1}(\delta_{\beta 1} + \varepsilon_{\beta 1}) + Q^\beta \varepsilon_\beta & N^{\beta 1}(\delta_{\beta 2} + \varepsilon_{\beta 2}) & -Q^\beta(\delta_{\beta 2} + \varepsilon_{\beta 2}) \\ N^{\beta 2}(\delta_{\beta 1} + \varepsilon_{\beta 1}) & N^{\beta 2}(\delta_{\beta 2} + \varepsilon_{\beta 2}) + Q^\beta \varepsilon_\beta & Q^\beta(\delta_{\beta 1} + \varepsilon_{\beta 1}) \\ -N^{\beta 2} \varepsilon_\beta & N^{\beta 1} \varepsilon_\beta & N^{\alpha \beta}(\delta_{\alpha \beta} + \varepsilon_{\alpha \beta}) \end{bmatrix}. \quad (\text{A.6})$$

The assumed stress resultants are used in Eqs. (A.4)–(A.6) in the formulation of the proposed mixed hybrid elements. After interpolation in the element space described by the shape functions (57), the element geometric stiffness matrix takes form

$$\mathbf{K}_G^{(e)} = \int \int_{\Pi(e)} \bar{\mathbf{L}}^T \mathbf{k}_G \bar{\mathbf{L}} da = \int \int_{\Pi(e)} \bar{\mathbf{L}}^T \mathbf{D}^T \mathbf{G} \mathbf{D} \bar{\mathbf{L}} da = \int \int_{\Pi(e)} \bar{\mathbf{D}}^T \mathbf{G} \bar{\mathbf{D}} da, \quad \bar{\mathbf{D}} = \mathbf{D} \bar{\mathbf{L}}. \quad (\text{A.7})$$

The matrix $\mathbf{K}_G^{(e)}$ is not entirely symmetric; therefore, the symmetrization procedure is applied to asymmetric terms. In contrast to [16,17], the ANS approach is not applied during calculation of the geometric matrix, because such method yields slightly worse results in the considered shell theory.

Compliance with ethical standards

Conflict of interest The authors declare that they have no conflict of interest.

Acknowledgements The research reported in this paper was supported by the National Science Centre, Poland, with the Grant UMO-2015/17/B/ST8/02190.

Open Access This article is distributed under the terms of the Creative Commons Attribution 4.0 International License (<http://creativecommons.org/licenses/by/4.0/>), which permits unrestricted use, distribution, and reproduction in any medium, provided you give appropriate credit to the original author(s) and the source, provide a link to the Creative Commons license, and indicate if changes were made.

References

- Belytschko, T., Tsay, C.-S.: A stabilization procedure for the quadrilateral plate element with one-point quadrature. *Int. J. Numer. Methods Eng.* **19**, 405–419 (1983). <https://doi.org/10.1002/nme.1620190308>
- Belytschko, T., Leviathan, I.: Physical stabilization of the 4-node shell element with one point quadrature. *Comput. Methods Appl. Mech. Eng.* **113**, 321–350 (1994). [https://doi.org/10.1016/0045-7825\(94\)90052-3](https://doi.org/10.1016/0045-7825(94)90052-3)
- Reese, S.: A large deformation solid-shell concept based on reduced integration with hourglass stabilization. *Int. J. Numer. Methods Eng.* **69**, 1671–1716 (2007). <https://doi.org/10.1002/nme.1827>
- Pian, T.H.H.: State-of-the-art development of hybrid/mixed finite element method. *Finite Elem. Anal. Des.* **21**, 5–20 (1995). [https://doi.org/10.1016/0168-874X\(95\)00024-2](https://doi.org/10.1016/0168-874X(95)00024-2)
- Pian, T.H.H.: Derivation of element stiffness matrices by assumed stress distributions. *AIAA J.* **2**, 1333–1336 (1964). <https://doi.org/10.2514/3.2546>
- Spilker, R.L.: Hybrid-stress eight-node elements for thin and thick multilayer laminated plates. *Int. J. Numer. Methods Eng.* **18**, 801–828 (1982). <https://doi.org/10.1002/nme.1620180602>
- Pian, T.H.H., Sumihara, K.: Rational approach for assumed stress finite elements. *Int. J. Numer. Methods Eng.* **20**, 1685–1695 (1984). <https://doi.org/10.1002/nme.1620200911>
- Dvorkin, E.N., Bathe, K.-J.: A continuum mechanics based four-node shell element for general non-linear analysis. *Eng. Comput.* **1**, 77–88 (1984). <https://doi.org/10.1108/eb023562>
- Simo, J.C., Fox, D.D.: On a stress resultant geometrically exact shell model. Part I: formulation and optimal parametrization. *Comput. Methods Appl. Mech. Eng.* **72**, 267–304 (1989). [https://doi.org/10.1016/0045-7825\(89\)90002-9](https://doi.org/10.1016/0045-7825(89)90002-9)
- Simo, J.C., Fox, D.D., Rifai, M.S.: On a stress resultant geometrically exact shell model. Part II: the linear theory; computational aspects. *Comput. Methods Appl. Mech. Eng.* **73**, 53–92 (1989). [https://doi.org/10.1016/0045-7825\(89\)90098-4](https://doi.org/10.1016/0045-7825(89)90098-4)
- Lee, S.W., Pian, T.H.H.: Improvement of plate and shell finite elements by mixed formulations. *AIAA J.* **16**, 29–34 (1978). <https://doi.org/10.2514/3.60853>
- Lee, S.W., Rhu, J.J.: A new efficient approach to the formulation of mixed finite element models for structural analysis. *Int. J. Numer. Methods Eng.* **23**, 1629–1641 (1986). <https://doi.org/10.1002/nme.1620230905>
- Simo, J.C., Rifai, M.S.: A class of mixed assumed strain methods and the method of incompatible modes. *Int. J. Numer. Methods Eng.* **29**, 1595–1638 (1990). <https://doi.org/10.1002/nme.1620290802>
- Simo, J.C., Armero, F.: Geometrically non-linear enhanced strain mixed methods and the method of incompatible modes. *Int. J. Numer. Methods Eng.* **33**, 1413–1449 (1992). <https://doi.org/10.1002/nme.1620330705>
- Brank, B.: Assessment of 4-node EAS-ANS shell elements for large deformation analysis. *Comput. Mech.* **42**, 39–51 (2008). <https://doi.org/10.1007/s00466-007-0233-3>
- Wagner, W., Gruttmann, F.: A robust non-linear mixed hybrid quadrilateral shell element. *Int. J. Numer. Methods Eng.* **64**, 635–666 (2005). <https://doi.org/10.1002/nme.1387>
- Gruttmann, F., Wagner, W.: Structural analysis of composite laminates using a mixed hybrid shell element. *Comput. Mech.* **37**, 479–497 (2006). <https://doi.org/10.1007/s00466-005-0730-1>
- Wisniewski, K., Turska, E.: Four-node mixed Hu–Washizu shell element with drilling rotation. *Int. J. Numer. Methods Eng.* **90**, 506–536 (2012). <https://doi.org/10.1002/nme.3335>
- Shang, Y., Cen, S., Li, C.-F.: A 4-node quadrilateral flat shell element formulated by the shape-free HDF plate and HSF membrane elements. *Eng. Comput.* **33**, 713–741 (2016). <https://doi.org/10.1108/EC-04-2015-0102>

20. Winkler, R., Plakomytis, D.: A new shell finite element with drilling degrees of freedom and its relation to existing formulations. In: Papadrakakis, M., Papadopoulos, V., Stefanou, G., and Plevris, V. (eds.) ECCOMAS Congress 2016–Proceedings of the 7th European Congress on Computational Methods in Applied Sciences and Engineering. pp. 1–40., Crete Island, Greece (2016)
21. Li, Z.X., Zhuo, X., Vu-Quoc, L., Izzuddin, B.A., Wei, H.Y.: A four-node corotational quadrilateral elastoplastic shell element using vectorial rotational variables. *Int. J. Numer. Methods Eng.* **95**, 181–211 (2013). <https://doi.org/10.1002/nme.4471>
22. Li, Z.X., Li, T.Z., Vu-Quoc, L., Izzuddin, B.A., Zhuo, X., Fang, Q.: A 9-node co-rotational curved quadrilateral shell element for smooth, folded and multi-shell structures. *Int. J. Numer. Methods Eng.* (2018). <https://doi.org/10.1002/nme.5936>
23. Tang, Y.Q., Zhou, Z.H., Chan, S.L.: A simplified co-rotational method for quadrilateral shell elements in geometrically nonlinear analysis. *Int. J. Numer. Methods Eng.* **112**, 1519–1538 (2017). <https://doi.org/10.1002/nme.5567>
24. Ko, Y., Lee, P.S., Bathe, K.J.: A new MITC4+ shell element. *Comput. Struct.* **182**, 404–418 (2017). <https://doi.org/10.1016/j.compstruc.2016.11.004>
25. Kulikov, G.M., Carrera, E., Plotnikova, S.V.: Hybrid-mixed quadrilateral element for laminated plates composed of functionally graded materials. *Adv. Mater. Technol.* **44–55**, (2017). <https://doi.org/10.17277/amt.2017.01.pp.044-055>
26. Boutagouga, D.: A new enhanced assumed strain quadrilateral membrane element with drilling degree of freedom and modified shape functions. *Int. J. Numer. Methods Eng.* **110**, 573–600 (2017). <https://doi.org/10.1002/nme.5430>
27. Kulikov, G.M., Plotnikova, S.V., Carrera, E.: A robust, four-node, quadrilateral element for stress analysis of functionally graded plates through higher-order theories. *Mech. Adv. Mater. Struct.* **1–20**, (2017). <https://doi.org/10.1080/15376494.2017.1288994>
28. Wisniewski, K., Turska, E.: Improved nine-node shell element MITC9i with reduced distortion sensitivity. *Comput. Mech.* **62**, 499–523 (2018). <https://doi.org/10.1007/s00466-017-1510-4>
29. Cazzani, A., Serra, M., Stochino, F., Turco, E.: A refined assumed strain finite element model for statics and dynamics of laminated plates. *Contin. Mech. Thermodyn.* (2018). <https://doi.org/10.1007/s00161-018-0707-x>
30. Chróścielewski, J., Makowski, J., Stumpf, H.: Genuinely resultant shell finite elements accounting for geometric and material non-linearity. *Int. J. Numer. Methods Eng.* **35**, 63–94 (1992). <https://doi.org/10.1002/nme.1620350105>
31. Chróścielewski, J., Makowski, J., Stumpf, H.: Finite element analysis of smooth, folded and multi-shell structures. *Comput. Methods Appl. Mech. Eng.* **141**, 1–46 (1997). [https://doi.org/10.1016/S0045-7825\(96\)01046-8](https://doi.org/10.1016/S0045-7825(96)01046-8)
32. Altenbach, J., Altenbach, H., Eremeyev, V.A.: On generalized Cosserat-type theories of plates and shells: a short review and bibliography. *Arch. Appl. Mech.* **80**, 73–92 (2010). <https://doi.org/10.1007/s00419-009-0365-3>
33. Neff, P.: A geometrically exact Cosserat shell-model including size effects, avoiding degeneracy in the thin shell limit. Part I: formal dimensional reduction for elastic plates and existence of minimizers for positive Cosserat couple modulus. *Contin. Mech. Thermodyn.* **16**, 577–628 (2004). <https://doi.org/10.1007/s00161-004-0182-4>
34. Chróścielewski, J., Sabik, A., Sobczyk, B., Witkowski, W.: 2-D constitutive equations for orthotropic Cosserat type laminated shells in finite element analysis. *Compos. Part B Eng.* **165**, 335–353 (2019). <https://doi.org/10.1016/j.compositesb.2018.11.101>
35. Sabik, A.: Progressive failure analysis of laminates in the framework of 6-field non-linear shell theory. *Compos. Struct.* **200**, 195–203 (2018). <https://doi.org/10.1016/j.compstruct.2018.05.069>
36. Burzyński, S., Chróścielewski, J., Witkowski, W.: Elastoplastic law of Cosserat type in shell theory with drilling rotation. *Math. Mech. Solids* **20**, 790–805 (2015). <https://doi.org/10.1177/1081286514554351>
37. Burzyński, S., Chróścielewski, J., Daszkiewicz, K., Witkowski, W.: Geometrically nonlinear FEM analysis of FGM shells based on neutral physical surface approach in 6-parameter shell theory. *Compos. Part B Eng.* **107**, 203–213 (2016). <https://doi.org/10.1016/j.compositesb.2016.09.015>
38. Burzyński, S., Chróścielewski, J., Daszkiewicz, K., Witkowski, W.: Elastoplastic nonlinear FEM analysis of FGM shells of Cosserat type. *Compos. Part B Eng.* **154**, 478–491 (2018). <https://doi.org/10.1016/j.compositesb.2018.07.055>
39. Atluri, S.N., Murakawa, H.: On hybrid finite element models in nonlinear solid mechanics. In: Bergan, P.G. (ed.) *Finite Elements in Nonlinear Mechanics*, pp. 25–69. Tapir Press, Norway (1977)
40. Murakawa, H., Atluri, S.N.: Finite elasticity solutions using hybrid finite elements based on a complementary energy principle. *J. Appl. Mech.* **45**, 539–547 (1978)
41. Cazzani, A., Atluri, S.N.: Four-noded mixed finite elements, using unsymmetric stresses, for linear analysis of membranes. *Comput. Mech.* **11**, 229–251 (1993). <https://doi.org/10.1007/BF00371864>
42. Seki, W., Atluri, S.N.: Analysis of strain localization in strain-softening hyperelastic materials, using assumed stress hybrid elements. *Comput. Mech.* **14**, 549–585 (1994). <https://doi.org/10.1007/BF00350837>
43. Seki, W., Atluri, S.N.: On newly developed assumed stress finite element formulations for geometrically and materially nonlinear problems. *Finite Elem. Anal. Des.* **21**, 75–110 (1995). [https://doi.org/10.1016/0168-874X\(95\)00028-X](https://doi.org/10.1016/0168-874X(95)00028-X)
44. Sansour, C., Bednarczyk, H.: The Cosserat surface as a shell model, theory and finite-element formulation. *Comput. Methods Appl. Mech. Eng.* **120**, 1–32 (1995). [https://doi.org/10.1016/0045-7825\(94\)00054-Q](https://doi.org/10.1016/0045-7825(94)00054-Q)
45. Sansour, C., Bocko, J.: On hybrid stress, hybrid strain and enhanced strain finite element formulations for a geometrically exact shell theory with drilling degrees of freedom. *Int. J. Numer. Methods Eng.* **43**, 175–192 (1998). [https://doi.org/10.1002/\(SICI\)1097-0207\(19980915\)43:1<175::AID-NME448>3.0.CO;2-9](https://doi.org/10.1002/(SICI)1097-0207(19980915)43:1<175::AID-NME448>3.0.CO;2-9)
46. Chróścielewski, J.: The family of C0 finite elements in the nonlinear six parameter shell theory (in Polish), *Zeszyty Naukowe Politechniki Gdańskiej*, 540, Budownictwo Lądowe, Nr 53., Gdańsk (1996)
47. Chróścielewski, J., Witkowski, W.: Four-node semi-EAS element in six-field nonlinear theory of shells. *Int. J. Numer. Methods Eng.* **68**, 1137–1179 (2006). <https://doi.org/10.1002/nme.1740>
48. Witkowski, W.: 4-node combined shell element with semi-EAS-ANS strain interpolations in 6-parameter shell theories with drilling degrees of freedom. *Comput. Mech.* **43**, 307–319 (2009). <https://doi.org/10.1007/s00466-008-0307-x>
49. Daszkiewicz, K.: A family of hybrid mixed elements in 6-parameter shell theory, geometrically nonlinear analysis of functionally graded shells. *Doctoral Thesis (in Polish)* (2017)

50. Chróścielewski, J., Burzyński, S., Daszkiewicz, K., Witkowski, W.: Mixed 4-node shell element with assumed strain and stress in 6-parameter theory. In: Pietraszkiewicz, W., Witkowski, W. (eds.) *Shell Structures: Theory and Applications*, vol. 4, pp. 359–362. Taylor & Francis Group, London (2018)
51. Libai, A., Simmonds, J.G.: *The Nonlinear Theory of Elastic Shells*. Cambridge University Press, Cambridge (1998)
52. Reissner, E.: Linear and nonlinear theory of shells. In: Fung, Y.C., Sechler, E.E. (eds.) *Thin Shell Structures*, pp. 29–44. Prentice-Hall, Englewood Cliffs (1974)
53. Miśkiewicz, M.: Structural response of existing spatial truss roof construction based on Cosserat rod theory. *Contin. Mech. Thermodyn.* **31**(1), 79–99 (2019). <https://doi.org/10.1007/s00161-018-0660-8>
54. Eremeyev, V.A., Zubov, L.M.: On constitutive inequalities in nonlinear theory of elastic shells. *ZAMM Zeitschrift für Angew. Math. und Mech.* **87**, 94–101 (2007). <https://doi.org/10.1002/zamm.200610304>
55. Chróścielewski, J., Witkowski, W.: Discrepancies of energy values in dynamics of three intersecting plates. *Int. J. Numer. Method. Biomed. Eng.* **26**, 1188–1202 (2010). <https://doi.org/10.1002/cnm.1208>
56. Eremeyev, V.A., Lebedev, L.P.: Existence theorems in the linear theory of micropolar shells. *ZAMM Zeitschrift für Angew. Math. und Mech.* **91**, 468–476 (2011). <https://doi.org/10.1002/zamm.201000204>
57. Eremeyev, V.A., Lebedev, L.P., Cloud, M.J.: The Rayleigh and Courant variational principles in the six-parameter shell theory. *Math. Mech. Solids* **20**, 806–822 (2015). <https://doi.org/10.1177/1081286514553369>
58. Pietraszkiewicz, W., Eremeyev, V.A.: Natural lagrangian strain measures of the non-linear cosserat continuum. In: Maugin, G.A., Metrikine, A.V. (eds.) *Mechanics of Generalized Continua*, pp. 79–86. Springer, Berlin (2010)
59. Pietraszkiewicz, W., Eremeyev, V.A.: On vectorially parameterized natural strain measures of the non-linear Cosserat continuum. *Int. J. Solids Struct.* **46**, 2477–2480 (2009). <https://doi.org/10.1016/j.ijsolstr.2009.01.030>
60. Pietraszkiewicz, W., Konopińska, V.: On unique kinematics for the branching shells. *Int. J. Solids Struct.* **48**, 2238–2244 (2011). <https://doi.org/10.1016/j.ijsolstr.2011.03.029>
61. Nowacki, W.: *Theory of Asymmetric Elasticity*. Pergamon Press, Oxford (1986)
62. Washizu, K.: On the variational principles of elasticity and plasticity. Aeroelastic and Structures Research Laboratory Technical Report No. 25-18., Cambridge (1955)
63. Wisniewski, K., Turska, E.: Improved four-node Hellinger–Reissner elements based on skew coordinates. *Int. J. Numer. Methods Eng.* **76**, 798–836 (2008). <https://doi.org/10.1002/nme.2343>
64. Wisniewski, K., Turska, E.: Improved 4-node Hu–Washizu elements based on skew coordinates. *Comput. Struct.* **87**, 407–424 (2009). <https://doi.org/10.1016/j.compstruc.2009.01.011>
65. Yuan, K.-Y., Huang, Y.-S., Pian, T.H.H.: New strategy for assumed stresses for 4-node hybrid stress membrane element. *Int. J. Numer. Methods Eng.* **36**, 1747–1763 (1993). <https://doi.org/10.1002/nme.1620361009>
66. Wiśniewski, K.: *Finite Rotation Shells*. Springer, Barcelona (2010)
67. Klinkel, S., Gruttmann, F., Wagner, W.: A mixed shelf formulation accounting for thickness strains and finite strain 3d material models. *Int. J. Numer. Methods Eng.* **74**, 945–970 (2008). <https://doi.org/10.1002/nme.2199>
68. Wisniewski, K., Wagner, W., Turska, E., Gruttmann, F.: Four-node Hu–Washizu elements based on skew coordinates and contravariant assumed strain. *Comput. Struct.* **88**, 1278–1284 (2010). <https://doi.org/10.1016/j.compstruc.2010.07.008>
69. Pietraszkiewicz, W.: The resultant linear six-field theory of elastic shells: what it brings to the classical linear shell models? *ZAMM J. Appl. Math. Mech./Zeitschrift für Angew. Math. und Mech.* **96**, 899–915 (2016). <https://doi.org/10.1002/zamm.201500184>
70. Kasper, E.P., Taylor, R.L.: Mixed-enhanced strain method. Part II: geometrically nonlinear problems. *Comput. Struct.* **75**, 251–260 (2000). [https://doi.org/10.1016/S0045-7949\(99\)00135-2](https://doi.org/10.1016/S0045-7949(99)00135-2)
71. Piltner, R., Taylor, R.L.: A systematic construction of B-bar functions for linear and non-linear mixed-enhanced finite elements for plane elasticity problems. *Int. J. Numer. Methods Eng.* **44**, 615–639 (1999). [https://doi.org/10.1002/\(SICI\)1097-0207\(19990220\)44:5<615::AID-NME518>3.0.CO;2-U](https://doi.org/10.1002/(SICI)1097-0207(19990220)44:5<615::AID-NME518>3.0.CO;2-U)
72. Burzyński, S., Chróścielewski, J., Witkowski, W.: Geometrically nonlinear FEM analysis of 6-parameter resultant shell theory based on 2-D Cosserat constitutive model. *ZAMM J. Appl. Math. Mech./Zeitschrift für Angew. Math. und Mech.* **96**, 191–204 (2016). <https://doi.org/10.1002/zamm.201400092>
73. Chróścielewski, J., Pietraszkiewicz, W., Witkowski, W.: On shear correction factors in the non-linear theory of elastic shells. *Int. J. Solids Struct.* **47**, 3537–3545 (2010). <https://doi.org/10.1016/j.ijsolstr.2010.09.002>
74. Macneal, R.H., Harder, R.L.: A proposed standard set of problems to test finite element accuracy. *Finite Elem. Anal. Des.* **1**, 3–20 (1985). [https://doi.org/10.1016/0168-874X\(85\)90003-4](https://doi.org/10.1016/0168-874X(85)90003-4)
75. Cook, R.D.: Improved two-dimensional finite element. *J. Struct. Div.* **100**, 1851–1863 (1974)
76. Piltner, R., Taylor, R.L.: A quadrilateral mixed finite element with two enhanced strain modes. *Int. J. Numer. Methods Eng.* **38**, 1783–1808 (1995). <https://doi.org/10.1002/nme.1620381102>
77. Argyris, J.H., Balmer, H., Doltsinis, J.S., Dunne, P.C., Haase, M., Kleiber, M., Malejannakis, G.A., Mlejnek, H.-P., Müller, M., Scharpf, D.W.: Finite element method: the natural approach. *Comput. Methods Appl. Mech. Eng.* **17**(18), 1–106 (1979)
78. Simo, J.C., Fox, D.D., Rifai, M.S.: On a stress resultant geometrically exact shell model. Part III: computational aspects of the nonlinear theory. *Comput. Methods Appl. Mech. Eng.* **79**, 21–70 (1990). [https://doi.org/10.1016/0045-7825\(90\)90094-3](https://doi.org/10.1016/0045-7825(90)90094-3)
79. Stander, N., Matzenmiller, A., Ramm, E.: An assessment of assumed strain methods in finite rotation shell analysis. *Eng. Comput.* **6**, 58–66 (1989). <https://doi.org/10.1108/eb023760>