

# The Possibility to use a Nuclear Power Plant as a Source of Electrical Energy and Heat

## Authors

Tomasz Minkiewicz  
Andrzej Reński

## Keywords

nuclear power plant, cogeneration, combined heat and power

## Abstract

In this article issues concerning the possibility of nuclear power plant (NPP) operation also as a source of heat, which means combined heat and power production, have been described. CHP work is possible and profitable only in those areas where high thermal power demand occurs, which means near city agglomerations such as Warsaw or the Tri-City. Two levels of thermal power delivered to the heating system have been considered. Preliminary technical and economic studies regarding NPP location by Żarnowiec Lake have confirmed the NPP potential to work as a primary source of heat in the heating network system, which would feed the regions of Wejherowo and Gdynia.

**DOI: 10.12736/issn.2300-3022.2014310**

## 1. Implementation of large CHP sources in Poland

Connecting a nuclear power plant to the Polish Power System (PPS) will enable using those plants as baseload electricity sources, but in certain locations it will also be possible to operate such facilities as sources of heat for municipal district heating (DH) systems. According to the stipulations of the Polish Nuclear Power Programme (PNPP) commissioning of the first nuclear power plant in Poland was expected after 2020. Now this date has been moved to 2024 with the electrical output of the plant estimated at 3 GW.

The key advantage of combined heat and power generation is reduced consumption of primary energy carriers, and therefore also reduction of atmospheric emissions. Construction of CHP sources is promoted by Directive 2004/8/EC of the European Parliament and of the Council of 11 February 2004 on the promotion of cogeneration based on a useful heat demand in the internal energy market. Thus, the existence of such a demand is a prerequisite for constructing new CHP sources.

Then the Industrial Emissions Directive enacted on 6 January 2011, whose stipulations will come into force in 2016 and for the district heating industry in 2023, will additionally tighten requirements concerning SO<sub>2</sub>, NO<sub>x</sub> and PM emissions, thus increasing interest in energy sources for power and heat generation other than coal. Development of new energy sources is also forecasted by the "Energy Policy of Poland until 2030", which assumes that by the year 2020 the electricity demand will grow from the current level of 155 TWh to ca. 170 TWh. Bearing in mind that some 60% of generation capacity is installed at sources at least 30 years old,

it will be necessary to construct new sources with a high total electrical capacity. According to the assumptions of the national energy policy, CHP generation will be a preferred solution. It is also planned to replace as many heating plants as possible with CHP sources. On a national level it is forecasted that the volume of electricity generated in the high-efficiency CHP process will also considerably increase.

## 2. The heat market

The possibility of using an NPP as a source of not only electricity but also heat strongly depends on both thermal power demand and heat transmission capabilities. Intense thermal refurbishment projects have been observed in recent years within existing district heating systems and networks. This directly results in a gradual reduction of heat power demand. This leads to a reduction of installed heating capacity. This process is presented in Fig. 1 and 2. Yet despite lowering installed thermal capacity, Poland is still among those European countries with the most developed district heating systems.

In 2011 more than 421 PJ of heat was generated in Poland. Of that more than 252 PJ was cogenerated with electricity and more than 70% of used energy source was hard coal. The total length of district heating networks connecting heat sources to heat consumers and of low-parameter networks at the end of 2011 was 19,600 km [1].

## 3. Heat recovery possibilities at a nuclear power plant

In the case of a decision to use a nuclear power plant as a source of district heat or process steam, special attention should be paid

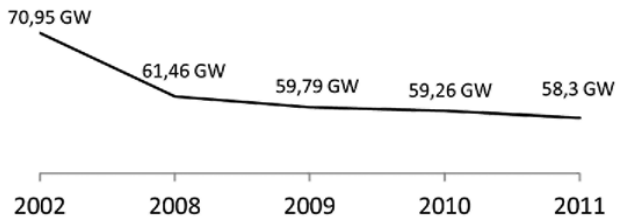


Fig. 1. Heating capacity installed in Poland [1]

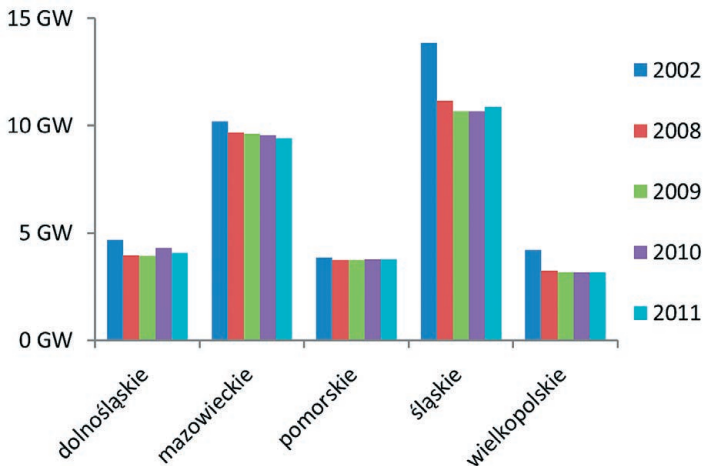


Fig. 2. Heating capacity installed in selected voivodeships of Poland [1]

to proper selection of the turbine and other components of the secondary circuit. In classic CHP systems based on organic fuels backpressure, extraction-backpressure or extraction-condensing turbines are used. In a nuclear power plant the most favourable solution is an extraction-backpressure turbine with steam extractions which may be used to supply district heating energy during a heating season, and which may also continuously provide process heat flow (steam). Outside the heating season, if there would be no process steam demand, the turbine would operate at fully condensing mode, generating electrical power only. Due to a more complex structure required to ensure heat recovery, the cost of such a turbine would be higher than the cost of a standard condensing turbine. Exemplary proposals of turbines for a PWR nuclear power station are shown in Fig. 3 [2].

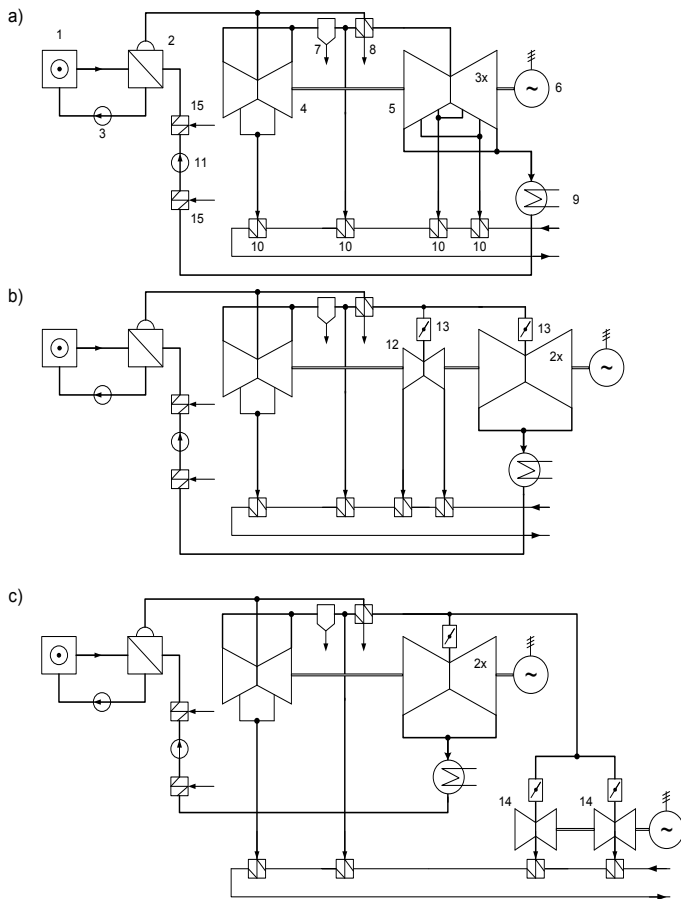
The extent of modifications and changes within an extraction-condensing turbine depends on heat consumption for district heating. In a large nuclear power unit with an electrical output of 1600 MW the smallest changes would be required to recover heating power up to some 200 MW. In such a case steam could be collected from appropriately enlarged turbine bleeds (Fig. 3a). In the case of heat demand of some 200–500 MW it would be necessary to install an additional low pressure casing intended for heating operation on the main shaft. The largest alterations should be expected for heat outputs exceeding 1800 MW. In such a case it might prove reasonable to use two or three separate shafts with separate generators (Fig. 3c). Currently there are no nuclear plants which would supply major amounts of heat to external consumers. Usually existing plants only supply

heat to the nearest towns, typically inhabited by the NPP's own personnel, and the heating outputs are low, no more than twenty megawatts. An example of a nuclear power plant with partial heat recovery is a Swiss Beznau Nuclear Power Plant which supplies peak output of 80 MW to a relatively well developed heating system (total length around 130 km). This power plant consists of two PWR power units of 380 MW gross each [3]. Total electrical output of the Beznau NPP is similar to that of conventional steam power units installed in large Polish power plants. Yet due to different parameters of generated steam, the structure is considerably different. Polish power stations have superheated steam turbines (540°C, 18 MPa), while the turbines of the Swiss nuclear plant are supplied with dry saturated steam (5.5 MPa). As a result the main (live) steam flow at a nuclear plant (ca. 2160 Mg/h) is much higher than in the case of a conventional 360 MW unit (ca. 1150 Mg/h). Due to the lower efficiency of the thermodynamic cycle, the amount of heat dumped through the condenser is larger, and therefore also cooling water demand is higher at a nuclear power plant (compared to a conventional power station of the same electrical output). Yet in the case of using an NPP as a source of heat, this demand could be reduced. In the case of a power unit from Beznau NPP the cooling water flow is some 72 thousand Mg/h, while in a power unit of Opole Power Station it is some 40 thousand Mg/h. For the sake of comparison – the whole district heating system of Refuna (supplied from Beznau NPP) circulates some 1150 Mg/h of DH water.

#### 4. Possibility of cooperation between a nuclear power plant, DH system and a power system

Ensuring cooperation between a nuclear power plant with heat recovery and external energy systems requires fulfilling many conditions. These conditions result from legal regulations, e.g. those contained in the Energy Law and in recently amended Atomic Law. They concern both the possibility of constructing new generation capacities, especially with large output, and large power and heat transmission systems, as well as possibilities of connecting such facilities to already operated systems. It is worth remembering that generally such investment projects usually take many years to complete, with the development phase being much longer than the actual construction. An example may be a very high voltage power line: the actual construction of a 100 km long 400 kV line may be accomplished within 1.5 years, while planning and development might take even 7–10 years [5]. A similar situation occurs in the case of major district heating pipelines and distribution networks, as well as with power plants, especially nuclear ones. For this very reason it is so important to select a good location for an NPP, which on the one hand ensures required safety levels, and on the other influences the total project cost.

Cooperation of a nuclear power plant with a power system depends mainly on its regulation characteristics. These characteristics on the one hand result from structural strength of primary circuit components and on the other depend on the character of processes occurring within the reactor core. Thermal stress which may form within a reactor's fuel elements, as well as in



1 – nuclear reactor, 2 – steam generators, 3 – main circulation pumps, 4 – HP turbine, 5 – LP turbine, 6 – generator, 7 – moisture separator, 8 – steam reheater, 9 – condenser, 10 – district heating heat exchangers, 11 – feedwater pump, 12 – backpressure turbine part, 13 – valve, 14 – DH turbine on a separate shaft, 15 – regenerative heat exchangers

Fig. 3. Simplified process diagrams of NPP systems with heat recovery for district heating [4]

thick-walled components of the primary and secondary circuits (vessels, pipelines, turbine) during power unit load transients impose restrictions on power plant's flexibility, and this is unfavourable for the power system. Changes of the electrical output of a nuclear power unit result in reactor output variations, which in turn disturb the balance between the generation and decay of the nuclei of xenon, the element which, along with samarium, is among the most important reactor poisons, i.e. parasitic neutron absorbers. This leads to quite complex changes of core reactivity, i.e. deviations from the critical condition. For this reason it is favourable to maintain operation of a nuclear reactor and entire nuclear power unit at as high and stable a load as possible. Yet output variations are inevitable, if only due to progressing fuel burnup.

From the operational point of view the most significant is the process of reactivity changes during transients caused by power reductions (reduced neutron flux) or reactor shutdown, as under such conditions reactivity losses are largest. Compensation of these and other reactivity effects is performed by the reactor control and protection system.

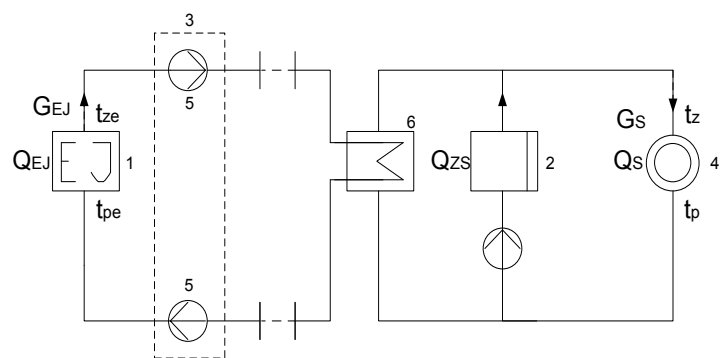
New solutions of generation III/III+ nuclear reactors enable reactor operation in a much wider output range and with much more frequent output changes in comparison to previously

used solutions. Modern nuclear power plants are designed for load following operation within wide range of loads, and therefore are characterised by considerable flexibility. Nuclear power units with a thermal reactor power of some 3.4 GW and electrical output of 1.1 GW enable load steps of +/- 10% within 15–100% of rated power, load reduction from 100% to 50% within 2 hours, maintaining output of 50% for 2–10 hours and restoring it back to 100% within 2 hours. Moreover, they enable load changes of 5%/min within 15–100% of nominal load (ca. 56 MW/min) [6].

Changes of electrical output of an NPP with heat recovery system may also result in variations of heat demand in a DH system. A significant technical issue is also selection of the connection method between an NPP and supplied district heating system: parallel or serial. A parallel connection enables better utilisation of conventional heat sources existing in the heat consumption area. This kind of connection also allows reducing diameters of transmission pipelines, which is quite important in the case of long-distance heat transmission.

In the case of a parallel system, as presented in Fig. 4, the existing heat sources located in the direct surroundings of heat consumers, would change operating regimes and become peak load sources, while the base heat load would be covered by a remote nuclear power station.

The power-to-heat ratio describing the system presented above would be defined as (using same symbols as in Fig. 4):



1 – NPP, 2 – peak load heating plant, 3 – DH water pumping station, 4 – consumers' area; 6 – heat exchanger station;  $Q_{EJ}$ ,  $Q_{ZS}$  – maximum thermal outputs of the nuclear power plant and peaking source respectively,  $Q_S$  – peak heating power demand of the consumers' area,  $G_{EJ}$  – mass flow of water through the NPP,  $G_S$  – total mass flow of water to the consumers,  $t_{ze}$ ,  $t_z$  – DH water temperature outgoing from the NPP and on consumers' area supply point,  $t_{pe}$ ,  $t_p$  – return water temperature at NPP and at the consumers' area

Fig. 4. Schematic diagram of a centralised district heating system with a nuclear power plant connected in parallel with a local peak load heat source [4]

$$\alpha_s = \frac{Q_{EJ}}{Q_{EJ} + Q_{ZS}} = \frac{G_{EJ}(t_{ze} - t_{pe})}{G_S(t_z - t_p)}$$

## 5. Proposed solutions

Implementation of the PNPP has created a chance to reconsider the advisability of using planned NPPs as heat sources for existing DH systems. Such considerations may refer to analytical studies made many years ago and engineering experience obtained in the past.

Particularly active in this field was the Warsaw community which used to see a special purpose in locating a nuclear CHP plant near the capital city. This would improve environmental conditions within the Warsaw urban area. The Warsaw DH system is one of the largest in the world and its maximum heat demand is around 3700 MW. It is supplied from the following heat sources: two CHP plants (Żerań with thermal output of 1560 MW, Siekierki with thermal output of 2081 MW), two heating plants (Kawęczyn with output of 512 MW, Wola with output of 465 MW) and a waste-to-energy plant (ZUSOK with a thermal output of ca. 10 MW).

A nuclear power plant with a heat recovery module connected to the DH system of Warsaw could, to a large extent, replace existing heat sources running on hard coal.

This issue was brought up again when the area of Nowe Miasto was mentioned as one of the potential sites of the first nuclear power plants in Poland. This location would enable transmitting considerable thermal power to the DH system of the capital.

In the past the engineering office Energoprojekt of Warsaw also analysed the potential of utilising NPP heat recovery for the Tri-City urban area. It created a concept of supplying some 900 MW of heat from the constructed Żarnowiec NPP to the cities of Gdynia, Sopot and Gdańsk. While this plan has not been realised, investigation of possible pipeline routes and performed thermal and hydraulic calculations could now prove useful in the process of evaluating the feasibility of recovering and transmitting heat from the most probable sites of the first Polish NPP in the area of Żarnowiec Lake or Lubiatowo and Kopalino to the area of Wejherowo and Gdynia. A preliminary techno-economic study has been performed. It assumed that at the first stage the NPP would cover half of the maximum heat load of both those areas, i.e. supply some 300 MW of heat in cooperation with the existing local heating plant (Wejherowo) and CHP plant (Gdynia). Such a relatively low heat generation at NPP equipped with, e.g. two EPR 1600 MW units would enable supplying steam to DH heat exchangers from only slightly enlarged turbine bleeds.

Evaluation of costs of heat supply to the consumer areas was based on the methodology presented in [4] and [7]. The main idea behind this methodology is that the fixed cost of heat generation at the NPP was linked to the loss of electrical power output and variable cost to the loss of electricity generation at the nuclear power plant due to heat recovery. Moreover, the cost of supplying heat to consumer areas includes the cost of installing the heat recovery module at a nuclear power plant, as well as the cost of generating heat at local sources (in this case at Wejherowo heating plant and Gdynia CHP plant), as well as the cost attributable to the heat transfer from the NPP to both consumer areas.

Preliminary calculations based on the optimistic variant, i.e. relatively low specific investment cost of the generation and transmission infrastructure, have revealed that the investigated heat supply system based on NPP heat recovery has a chance to be competitive against classic heating systems, as it could ensure heat supply to consumers at the price of 40 PLN/GJ. The analyses described above will be enhanced and updated within the current research grant funded by the National Centre for Research and Development.

The municipal district heating of Wejherowo is currently based on the Nanice Heating Plant with the output of ca. 55 MW and covers approximately 37% of the town's heat demand. In early 2012 construction of an additional energy source (a gas engine with heating output of 6.1 MW) was started. During the summer season it will cover heat demand for domestic hot water, while during the heating season it will preheat water which will then be heated up by the coal-fired boilers of the Nanice plant.

The district heating system of the town of Reda is supplied from Koksik Heating Plant with the output of ca. 35 MW. Actually only some 50% of this output is utilised, as the total heating capacity contracted by the consumers for space heating and domestic hot water is around 18 MW.

The district heating system of the town of Rumia is an extension of the DH system of the city of Gdynia, supplied from the Gdynia-3 CHP plant (high-parameter 130/70°C network). It is estimated that the transfer capacity of the main distribution networks is used in some 25% and the share of the district heating system in covering the entire heat demand in the town is around 27% (31 MW).

In the city of Gdynia the heat source is Gdynia-3 CHP plant with a thermal output of some 470 MW. Current heat demand during the heating season is around 820 MW; of that 55% is covered by the Gdynia 3 plant (some 450 MW).

Based on the current data from the "Draft assumptions for the plan for supplying heat, electricity and gaseous fuels for Wejherowo, Reda, Rumia and Gdynia" it is possible to estimate that in 2020 the total winter heat demand will be around 1150 MW, while during summer it will be around 200 MW. Therefore, there is a reason to commence technical and economic analyses of potential utilisation of an NPP built in the area of Żarnowieckie Lake as a source of energy for district heating [8].

## 6. Final conclusions

Because of the now ongoing Polish Nuclear Power Programme, an opportunity of verifying old analyses and checking whether utilising NPP as a baseload heat source within a district heating system is economically effective and competitive against conventional solutions has appeared. This kind of solution could lead to improved NPP efficiency, reduced heat generation costs, reduced primary energy consumption and a reduced amount of pollutants discharged to the environment. It also needs to be emphasised that continuously growing costs of heat generation at conventional sources will have to keep growing considerably due to the stipulations of the Industrial Emissions Directive, which in 2023 will affect the heating plants by imposing new, tighter standards for pollutant emissions.

Seasonal variation of heat demand for space heating remains a considerable operational challenge (current solutions enable using district heating also during summer by generating network cooling); another one is defining outgoing and return temperatures of district heating water (due to long distance between the heat source and consumers).

Because Poland has no experience in the operation of nuclear power systems, the old analyses of NPP utilisation as a source of heat and electricity (for both Żarnowiec and Warsaw area)



may prove useful. But besides the technical analyses, the key objective of the research aimed at verification of the NPP heat recovery potential in Polish conditions should be ensuring higher economic effectiveness of a district heating system supplied from such a plant in comparison to classic CHP solutions.

The research was supported by the National Centre for Research and Development in the framework of the Strategic Research Project No. SP/J/10/176450/12.

## REFERENCES

1. Heating industry in numbers 2011, President of the Energy Regulatory Office, Warsaw, September 2012.
2. Mühlhäuser H.J., Steam turbines for district heating in nuclear power plants, *Nuclear Technology*, April 1978, Vol. 38.
3. Nuclear Power in Switzerland, World Nuclear Association [online], [www.world-nuclear.org/info/inf86.html](http://www.world-nuclear.org/info/inf86.html), December 2012.
4. Reński A., Elektrownie jądrowe jako źródło ciepła sieciowego i technologicznego [*Nuclear Power Plants as Sources of District and Process Heat*], *Energetyka*, August 2009.
5. Kasprzyk S., Program polskiej energetyki jądrowej. Najkorzystniejsze lokalizacje, moce w tych lokalizacjach, rozwój i modernizacja linii i rozdzielni najwyższych napięć [*Polish Nuclear Power Programme. Most Favourable Sites, Related Outputs, Development and Upgrades of Highest Voltage Lines and Switching Stations*], *Energetyka*, August 2009.
6. Kubowski J., Problemy współpracy elektrowni jądrowych z systemem elektroenergetycznym [*Issues of Cooperation Between Nuclear Power Plants and the Power System*], *Energetyka*, April 2010.
7. Reński A., Jak efektywnie ograniczyć ciepło odpadowe z elektrowni jądrowej [*How to Effectively Reduce Waste Heat from a Nuclear Power Plant*], *Rynek Energii* 2010, No. 1.
8. Minkiewicz T., Reński A., Nuclear power plant as a source of electrical energy and heat, *Archives of Energetics* 2011, No. 3–4.

## Tomasz Minkiewicz

Gdańsk University of Technology

e-mail: [t.minkiewicz@eia.pg.gda.pl](mailto:t.minkiewicz@eia.pg.gda.pl)

Graduate of the Faculty of Electrical and Control Engineering, Gdańsk University of Technology (2009). Currently a PhD student of the same faculty and a lecturer at the Chair of Electrical Power Engineering, Gdańsk University of Technology. His areas of professional interest include current status and development of nuclear power in Poland and worldwide, as well as district heating systems.

## Andrzej Reński

Gdańsk University of Technology

e-mail: [a.renski@eia.pg.gda.pl](mailto:a.renski@eia.pg.gda.pl)

Graduate of the Faculty of Power and Aeronautical Engineering, Warsaw University of Technology (1969). In 1984 defended doctoral dissertation at the Faculty of Electrical Engineering, Gdańsk University of Technology and in 2003 received a degree of post doctoral (DSc) degree at the Faculty of Power and Aeronautical Engineering, Warsaw University of Technology. Since 2007 employed as associate professor at Gdańsk University of Technology. His area of scientific interest includes heating systems – design and modelling equipment of power and CHP plants, both conventional and nuclear, as well as optimisation of heating system development.

This is a supporting translation of the original text published in this issue of "Acta Energetica" on pages 114–118. When referring to the article please refer to the original text.

PL

## Możliwość wykorzystania elektrowni jądrowej jako źródła energii elektrycznej i ciepłej

**Autorzy**  
Tomasz Minkiewicz  
Andrzej Reński

**Słowa kluczowe**  
elektrownia jądrowa, elektrociepłownia jądrowa, praca w skojarzeniu

### Streszczenie

Autorzy przedstawili w artykule zagadnienia związane z możliwością pracy elektrowni jądrowej (EJ) również w charakterze źródła ciepła, a więc w warunkach skojarzonego wytwarzania energii elektrycznej oraz ciepła. Praca w skojarzeniu jest możliwa i opłacalna tylko w tych rejonach, w których występuje duże zapotrzebowanie na moc cieplną, a więc w pobliżu aglomeracji miejskich, takich jak np. aglomeracja warszawska czy trójmiejska. Rozpatrzono dwa poziomy mocy cieplnych oddawanych do systemów ciepłowniczych. Wstępne badania techniczne i ekonomiczne dla lokalizacji elektrowni jądrowej nad Jeziorem Żarnowieckim potwierdziły potencjalną możliwość pracy EJ w charakterze podstawowego źródła ciepła w systemie ciepłowniczym, który zasilaby rejon Wejherowa i Gdyni.

### 1. Wdrożenie w Polsce dużych źródeł kogeneracyjnych

Przyłączenie elektrowni jądrowych do Krajowego Systemu Elektroenergetycznego (KSE) umożliwi wykorzystanie tych obiektów jako podstawowego źródła energii elektrycznej, ale w niektórych lokalizacjach możliwa będzie również praca tych elektrowni jako źródła ciepła na potrzeby miejskich systemów ciepłowniczych. Zgodnie z założeniami Programu Polskiej Energetyki Jądrowej (PPEJ) uruchomienie pierwszej w Polsce elektrowni jądrowej planowane było po 2020 roku, obecnie data ta została przesunięta na 2024 rok, a moc elektryczną tej elektrowni szacuje się na ok. 3 GW.

Główną zaletą pracy elektrowni w skojarzeniu jest zmniejszenie zużycia nośników energii pierwotnej, a tym samym ograniczenie emisji szkodliwych zanieczyszczeń do atmosfery. Budowa źródeł kogeneracyjnych jest wspierana przez dyrektywę Parlamentu Europejskiego i Rady Europy 2004/8/WE z 11 lutego 2004 roku w sprawie rozwoju kogeneracji na bazie lokalnego zapotrzebowania na ciepło. Tak więc istnienie takiego zapotrzebowania jest warunkiem koniecznym budowy nowych źródeł energii tego typu.

Z kolei wprowadzona w życie 6 stycznia 2011 roku dyrektywa o emisjach przemysłowych, która zacznie obowiązywać od 2016 roku, a dla branży ciepłowniczej od 2023 roku, dodatkowo zaostrzy wymagania dotyczące emisji  $SO_2$ ,  $NO_x$  i pyłów, co w konsekwencji będzie mogło przyczynić się do wzrostu zainteresowania innymi niż węgiel nośnikami źródeł energii elektrycznej i ciepła. Rozwój nowych źródeł energii prognozowany jest również w dokumencie „Polityka energetyczna Polski do 2030 roku”, w którym zakłada się, że zapotrzebowanie na energię elektryczną do 2020 roku wzrośnie z obecnego poziomu 155 TWh do ok. 170 TWh. Zważywszy fakt, że ok. 60% mocy wytwórczych pochodzi ze źródeł liczących co najmniej 30 lat, konieczna będzie budowa nowych źródeł o dużej łącznej zainstalowanej mocy elektrycznej. Zgodnie z założeniami polityki energetycznej kraju preferowana będzie technologia wytwarzania

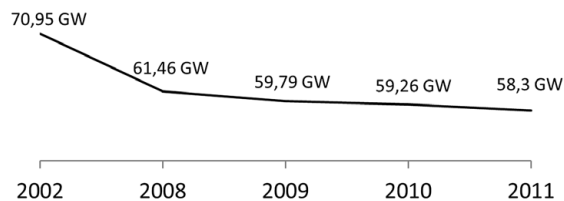
energii w skojarzeniu. W planach jest również zastąpienie jak największej liczby ciepłowni miejskich źródłami kogeneracyjnymi. W skali kraju przewiduje się, że do 2020 roku nastąpi też wyraźny wzrost produkcji energii elektrycznej wytwarzanej w technologii wysokosprawnej kogeneracji.

### 2. Rynek ciepła

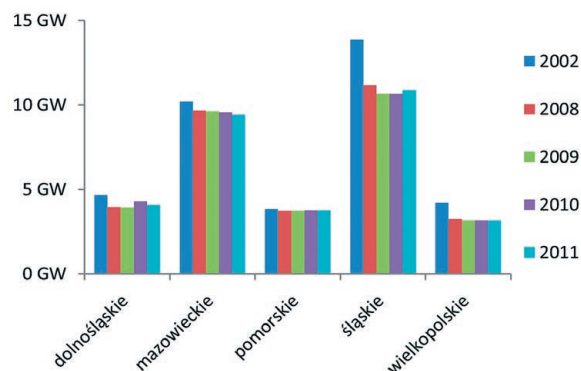
Możliwość wykorzystania EJ jako źródła energii nie tylko elektrycznej, ale i ciepłej, jest silnie uzależniona zarówno od zapotrzebowania na moc cieplną, jak i możliwości przesyłania tej mocy. W ostatnich latach obserwuje się intensywny rozwój przedsięwzięć termomodernizacyjnych w obrębie istniejących systemów i sieci ciepłowniczych, czego bezpośrednim efektem jest

stopniowe zmniejszanie się zapotrzebowania na moc cieplną. Powoduje to obniżanie zainstalowanej mocy cieplnej źródeł. Proces ten przedstawiono na rys. 1 i 2. Jednakże pomimo obniżania się poziomu zainstalowanej mocy cieplnej Polska wciąż należy do czołówki krajów europejskich, które posiadają znacząco rozbudowane systemy ciepłownicze.

W 2011 roku wytworzono w Polsce ponad 421 PJ ciepła, z czego w procesie kogeneracji ponad 252 PJ, a nośnikiem energii w ok. 70% był węgiel kamienny. Sumaryczna długość sieci ciepłowniczych, łączących źródła ciepła z węzłami cieplnymi, oraz sieci niskoparametrowych wynosiła pod koniec 2011 roku ponad 19 600 km [1].



Rys. 1. Zainstalowana moc cieplna w Polsce [1]



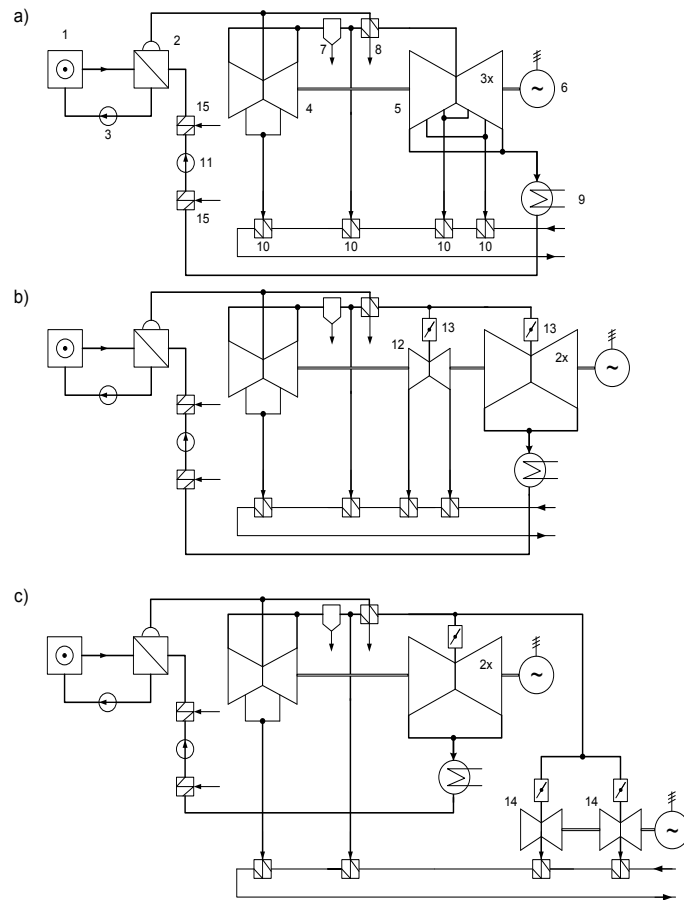
Rys. 2. Zainstalowana moc cieplna w wybranych województwach Polski [1]

### 3. Możliwość oddawania ciepła przez elektrownię jądrową

Decydując się na wykorzystanie elektrowni jądrowej jako źródła ciepła sieciowego czy też pary technologicznej, należy zwrócić uwagę na prawidłowy dobór turbozespołu i pozostałych elementów obiegu wtórnego. W klasycznych układach kogeneracyjnych pracujących na bazie paliw organicznych stosowane są turbiny przeciwprężne, upustowo-przeciwprężne lub upustowo-kondensacyjne. W elektrowni jądrowej korzystniejszym rozwiązaniem jest zastosowanie turbiny upustowo-kondensacyjnej, której upusty mogą być wykorzystywane w sezonie grzewczym do dostarczania pary na cele grzewcze, a w trakcie całego roku na cele technologiczne (para). Po sezonie grzewczym turbina ta mogłaby (w braku zapotrzebowania na parę technologiczną) pracować przy pełnej kondensacji, wytwarzając wyłącznie energię elektryczną. Ze względu na bardziej złożoną budowę, związaną z przystosowaniem do pracy ciepłowniczej, koszty takiej turbiny byłyby wyższe niż koszty turbiny kondensacyjnej. Przykładowe propozycje układów turbin dla elektrowni jądrowej z reaktorem PWR przedstawiono na rys. 3 [2].

Stopień modyfikacji i zmian w obrębie turbiny upustowo-kondensacyjnej zależy od poboru ciepła na cele ciepłownicze. W dużym bloku jądrowym o mocy elektrycznej 1600 MW najmniejszych zmian wymagałaby turbina przy poborze mocy cieplnej na poziomie do ok. 200 MW. Wówczas para mogłaby być pobierana z odpowiednio powiększonych upustów turbiny (rys. 3a). Przy poborze mocy cieplnej na poziomie 200–500 MW konieczne mogłoby być umieszczenie dodatkowego kadłuba niskoprężnego na głównym wale turbiny, przeznaczonego do pracy ciepłowniczej (rys. 3b). Największych zmian należałoby oczekiwać przy poborze mocy cieplnej powyżej 1800 MW. Wówczas mogłoby się okazać celowe zastosowanie dwóch lub trzech oddzielnych wałów z oddzielnymi generatorami (rys. 3c).

Obecnie nie ma na świecie elektrowni jądrowych, które przekazywałyby większe ilości ciepła odbiorcom zewnętrznym. Zazwyczaj są to obiekty zaopatrzone w ciepło najbliższe osiedla zamieszkiwane najczęściej przez personel eksploatacyjny EJ, a ich moce są niewielkie, sięgające kilkunastu megawatów. Przykładem elektrowni jądrowej pracującej w częściowym skojarzeniu jest szwajcarska elektrownia Beznau, która dostarcza do dość rozbudowanej sieci ciepłowniczej (o łącznej długości ok. 130 km) w szczytach zapotrzebowania moc cieplną na poziomie 80 MW. Elektrownia ta wyposażona jest w dwa bloki jądrowe z reaktorami typu PWR o mocy elektrycznej brutto po ok. 380 MW każdy [3]. Całkowita moc elektryczna EJ Beznau zbliżona jest do mocy klasycznych bloków parowych zainstalowanych w dużych krajowych elektrowniach. Jednakże ze względu na różnice parametrów produkowanej pary ich budowa znacząco się różni. W polskich elektrowniach pracują turbiny na parę przegrzaną (540°C, 18 MPa), podczas gdy w szwajcarskiej elektrowni jądrowej są to turbiny na parę suchą nasyconą (5,5 MPa). W konsekwencji strumień pary świeżej bloku jądrowego (ok. 2160 t/h) jest zdecydowanie większy niż



1 – reaktor jądrowy, 2 – wytwornice pary, 3 – główne pompy cyrkulacyjne, 4 – część WP turbiny, 5 – część NP turbiny, 6 – generator, 7 – separator wilgoci, 8 – przegrzewacz międzystopniowy pary, 9 – skraplacz, 10 – wymienniki sieciowe, 11 – pompa wody zasilającej, 12 – część przeciwprężna turbiny, 13 – kłapa regulacyjna, 14 – turbina ciepłownicza na oddzielnym wale, 15 – wymienniki regeneracyjne

Rys. 3. Uproszczone schematy cieplne układów EJ przystosowanej do odbioru ciepła na potrzeby ciepłownicze [4]

w polskich blokach klasycznych o mocy 360 MW (ok. 1150 t/h). W wyniku niższej sprawności obiegu termodynamicznego ilość ciepła oddawanego w skraplaczu jest większa, a więc zapotrzebowanie na wodę chłodzącą w EJ jest dużo wyższe (w porównaniu z elektrownią klasyczną o takiej samej mocy elektrycznej). Jednakże wykorzystanie elektrowni jądrowej do pracy ciepłowniczej pozwoliłoby zmniejszyć to zapotrzebowanie. W przypadku bloku jądrowego elektrowni Beznau ilość wody chłodzącej to ok. 72 tys. t/h, podczas gdy w bloku elektrowni Opole jest to ok. 40 tys. t/h. Dla porównania – w całym systemie ciepłowniczym Refuna (zasilanym z EJ Beznau) krąży ok. 1150 t/h wody sieciowej.

### 4. Możliwość współpracy elektrowni jądrowej z systemem ciepłowniczym i elektroenergetycznym

Zapewnienie współpracy przystosowanej do oddawania ciepła elektrowni jądrowej z zewnętrznymi systemami energetycznymi wymaga spełnienia wielu warunków. Wynikają one z przepisów prawnych ujętych m.in. w prawie energetycznym, a także w ostatnio znowelizowanym prawie atomowym. Dotyczą one zarówno możliwości budowy nowych źródeł wytwórczych, szczególnie dużej mocy, jak i rozległych

sieci przesyłowych elektrycznych oraz ciepłowniczych, a także możliwości przyłączenia tych obiektów do istniejących eksploatowanych systemów. Warto mieć na względzie, że są to na ogół inwestycje wieloletnie, których okres przygotowania jest często znacznie dłuższy niż okres samej budowy. Przykładem mogą tu być linie elektroenergetyczne najwyższych napięć: sam proces budowy linii 400 kV o długości 100 km może być zrealizowany do 1,5 roku, natomiast zaplanowanie i przygotowanie takiej inwestycji może trwać nawet 7–10 lat [5]. Podobnie wygląda sprawa z magistralami ciepłowniczymi i sieciami cieplnymi, jak również ze źródłami wytwórczymi, a w szczególności jądrowymi. Dlatego tak ważnego znaczenia nabiera problem wyboru odpowiedniego miejsca lokalizacji EJ, który z jednej strony ma istotny wpływ na zapewnienie właściwego poziomu bezpieczeństwa, a z drugiej strony wpływa na całkowite koszty przedsięwzięcia.

Współpraca elektrowni jądrowej z systemem elektroenergetycznym zależy w dużej mierze od jej własności regulacyjnych. Te zaś uwarunkowane są z jednej strony względami wytrzymałościowymi materiałów obiegu pierwotnego, z drugiej zaś strony uzależnione są od charakteru procesów przebiegających w rdzeniu reaktora. Naprężenia termiczne,

jakie mogą powstawać w elementach paliwowych reaktora, a także w elementach grubościennych obiegu pierwotnego oraz wtórnego (zbiorniki, rurociągi, turbina) w warunkach zmieniającego się obciążenia bloku jądrowego, stanowią ograniczenia zdolności regulacyjnych elektrowni, co z punktu widzenia pracy systemu elektroenergetycznego jest zjawiskiem niekorzystnym. Również zmiany obciążenia elektrycznego bloku jądrowego wywołują zmianę mocy reaktora, w wyniku czego następuje naruszenie równowagi pomiędzy liczbą powstających i liczbą ubywających jąder ksenonu w rdzeniu – pierwiastka, który obok samaru jest w największym stopniu odpowiedzialny za zatrucie reaktora, czyli pasywnie pochłanianie neutronów. Powoduje to dość złożone zmiany reaktywności reaktora, czyli odchylenia stanu reaktora od stanu krytycznego. Z tego powodu korzystna jest praca reaktora jądrowego i całego bloku przy jak najwyższym i możliwie stałym stopniu obciążenia. Zmiany mocy są jednak nieuniknione, chociażby ze względu na postępujący proces wypalania paliwa jądrowego.

Z punktu widzenia eksploatacji najważniejsze znaczenie ma przebieg zmian reaktywności podczas stanu nieustalonego, spowodowanego redukcją mocy (zmniejszeniem gęstości strumienia neutronów) lub wyłączeniem reaktora, gdyż w tych sytuacjach mają miejsce największe straty reaktywności. Kompensacja tych i innych efektów reaktywnościowych jest zadaniem układu sterowania i zabezpieczeń reaktora.

Nowe rozwiązania reaktorów jądrowych generacji III oraz III+ umożliwiają pracę bloku jądrowego w znacznie większym zakresie zmian i przebiegających z większą częstotliwością zmian mocy w porównaniu z rozwiązaniami dotychczasowymi. Współczesne elektrownie jądrowe są tak projektowane, by mogły nadążać za zmianami obciążenia systemu elektroenergetycznego w szerokich granicach, a więc charakteryzują się odpowiednią manewrowością. Bloki jądrowe o mocy cieplnej na poziomie 3,4 GW i mocy elektrycznej 1,1 GW pozwalają na skokową zmianę mocy o +/- 10% w zakresie 15–100% mocy znamionowej, redukcją mocy z poziomu 100% do 50%

w czasie 2 godz., utrzymywanie mocy na poziomie 50% przez 2–10 godz. i przywrócenie jej do 100% w czasie 2 godz. Ponadto umożliwiają zmianę mocy w tempie 5%/min w zakresie 15–100% mocy znamionowej (tj. ok. 56 MW/min) [6].

Zmiany obciążenia elektrycznego EJ przystosowanej do oddawania ciepła mogą również wynikać ze zmian zapotrzebowania na moc cieplną ze strony systemu ciepłowniczego. Istotnym zagadnieniem technicznym jest również wybór sposobu współpracy EJ i zasilanego przez nią systemu ciepłowniczego, pracy równoległej bądź szeregowej. Połączenie równoległe umożliwia lepsze wykorzystanie istniejących w rejonie odbiorczym klasycznych źródeł ciepła. Połączenie takie pozwala również zmniejszyć przekroje rurociągów przesyłowych, co ma istotne znaczenie w transporcie ciepła na duże odległości.

W układzie równoległym, przedstawionym na rys. 4, istniejące dotychczas źródła ciepła, zlokalizowane w bezpośrednim sąsiedztwie odbiorców ciepła, zmieniłyby charakter swojej pracy, pełniąc rolę źródeł szczytowych, natomiast moc cieplna podstawowa byłaby dostarczana z odległej elektrowni jądrowej.

Współczynnik skojarzenia, charakteryzujący powyższy system zasilania, byłby zdefiniowany jako (oznaczenia tak jak na rys. 4):

$$\alpha_s = \frac{Q_{EJ}}{Q_{EJ} + Q_{ZS}} = \frac{G_{EJ}(t_{ze} - t_{pe})}{G_S(t_z - t_p)}$$

### 5. Proponowane rozwiązania

W związku z wdrażaniem PPEJ pojawiła się szansa na ponowne rozważenie celowości wykorzystania planowanych elektrowni jądrowych jako źródeł ciepła dla istniejących systemów ciepłowniczych. Można w tym zakresie sięgnąć do wykonanych przed laty analiz oraz oprzeć się na zdobytych wówczas doświadczeniach projektowych.

Szczególną aktywność przejawiało w tym względzie środowisko warszawskie, widząc szczególną rolę lokalizacji elektrociepłowni jądrowej w pobliżu stolicy. Poprawiłoby to stan środowiska naturalnego w aglomeracji warszawskiej. System warszawski jest jednym z największych systemów

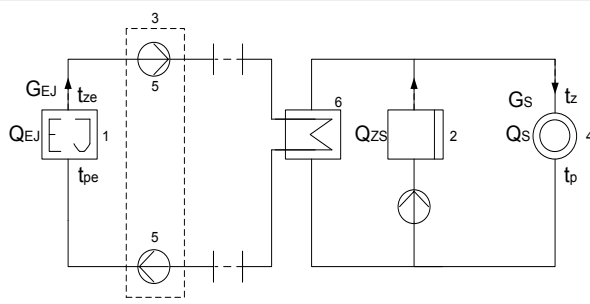
ciepłowniczych na świecie, charakteryzującym się wysokim zapotrzebowaniem na moc cieplną ze strony odbiorców na poziomie ok. 3700 MW. W jego skład wchodzi następujące źródła ciepła: dwie elektrociepłownie (Żerań o mocy cieplnej 1560 MW, Siekierki o mocy cieplnej 2081 MW), dwie ciepłownie (Kawęczyn o mocy cieplnej 512 MW, Wola o mocy cieplnej 465 MW) oraz spalarnia (Zakład Unieszkodliwiania Stałych Odpadów Komunalnych o mocy cieplnej ok. 10 MW). Elektrownia jądrowa, umożliwiająca produkcję ciepła sieciowego, która byłaby włączona do stołecznego systemu ciepłowniczego, mogłaby w znacznej mierze zastąpić istniejące źródła ciepła opalane węglem kamiennym.

Problem ten stał się ponownie aktualny, kiedy jako jedną z potencjalnych lokalizacji pierwszych elektrowni jądrowych w Polsce wytypowano rejon Nowego Miasta, co umożliwiłoby przesłanie dużej mocy cieplnej do stołecznego systemu ciepłowniczego.

Przed laty w Biurze Studiów i Projektów Energetycznych „Energoprojekt” w Warszawie wykonane zostały również analizy dotyczące wykorzystania ciepła z EJ dla aglomeracji trójmiejskiej. Powstała wówczas koncepcja i projekt zasilania mocą cieplną ok. 900 MW z budowanej Elektrowni Jądrowej Żarnowiec miast: Gdyni, Sopotu i Gdańska. Wprawdzie projekt ten nie doczekał się realizacji, ale przeprowadzone wówczas rozpoznanie tras przebiegu magistral przesyłowych oraz wykonane obliczenia cieplno-hydrauliczne mogą obecnie okazać się przydatne w badaniach opłacalności poboru i przesyłania ciepła z najbardziej prawdopodobnych miejsc lokalizacji pierwszej EJ w okolicach Jeziora Żarnowieckiego lub miejscowości Lubiatowo i Kopalino do rejonów Wejherowa i Gdyni. Wykonano wstępną analizę techniczno-ekonomiczną, w której założono, że w pierwszym etapie elektrownia jądrowa będzie pokrywać połowę szczytowego zapotrzebowania na moc cieplną obydwu tych rejonów, czyli dostarczać do systemu zasilania moc na poziomie do ok. 300 MW, współpracując odpowiednio z istniejącą ciepłownią lokalną (Wejherowo) oraz elektrociepłownią (Gdynia). Tak relatywnie niewielki pobór mocy cieplnej z EJ, wyposażonej np. w dwa bloki z reaktorami EPR 1600, umożliwiłby zasilanie parą członu ciepłowniczego z trzech ostatnich nieznacznie powiększonych upustów turbiny.

Do oceny kosztów dostawy ciepła do rejonów odbiorczych posłużono się metodą przedstawioną w [4] i [7]. Główna koncepcja tej metody polega na tym, że koszty stałe wytwarzania ciepła w EJ obciążono kosztami ubytku mocy elektrycznej, a koszty zmienne – kosztami ubytku energii elektrycznej, powstałymi w elektrowni jądrowej w związku z jej przystosowaniem do pracy ciepłowniczej. Ponadto koszty dostawy ciepła do rejonów odbiorczych obejmują koszt zainstalowania członu ciepłowniczego w elektrowni jądrowej, a także koszty wytwarzania w lokalnych źródłach ciepła (w tym przypadku – w ciepłowni w Wejherowie oraz w elektrociepłowni w Gdyni), jak również koszty przesyłania ciepła z EJ do obu rejonów odbiorczych.

Wstępne obliczenia wykonane przy założeniu wariantu optymistycznego, tzn.



1 – elektrownia jądrowa, 2 – szczytowe źródło energii, 3 – pompownia wody sieciowej z pompami 5, 4 – rejon odbiorczy, 6 – pośrednia stacja wymiennikowa,  $Q_{EJ}$ ,  $Q_{ZS}$  – szczytowe moce cieplne: elektrowni jądrowej oraz źródła lokalnego,  $Q_S$  – szczytowe zapotrzebowanie na moc cieplną rejonu odbiorczego,  $G_{EJ}$  – strumień masy wody sieciowej przepływającej przez EJ,  $G_S$  – całkowity strumień masy wody sieciowej przekazywany do odbiorców,  $t_{ze}$ ,  $t_z$  – temp. wody sieciowej: na zasilaniu z elektrowni jądrowej oraz na zasilaniu rejonu odbiorczego,  $t_{pe}$ ,  $t_p$  – temp. wody sieciowej na powrocie do elektrowni oraz na powrocie z rejonu odbiorczego

Rys. 4. Schemat poglądowy scentralizowanego systemu zasilania w ciepło z elektrownią jądrową współpracującą w układzie równoległym z lokalnym szczytowym źródłem energii [4]



względnie niskiego poziomu jednostkowych nakładów inwestycyjnych na obiekty wytwórcze i przesyłowe, wykazały, że rozpatrywany system zasilania, oparty na wykorzystaniu ciepła z EJ, ma szanse być konkurencyjny w stosunku do klasycznych systemów ciepłowniczych, gdyż mógłby zapewnić dostawę ciepła do odbiorców już przy koszcie 40 zł/GJ. Powyższe analizy zostaną uszczegółowione i zaktualizowane w ramach realizowanego obecnie projektu grantowego, finansowanego przez Narodowe Centrum Badań i Rozwoju (NCBiR).

Miejski system ciepłowniczy w Wejherowie pracuje obecnie z wykorzystaniem ciepłowni Nanice o mocy cieplnej ok. 55 MW, zaspokajając ok. 37% zapotrzebowania na ciepło. Na początku 2012 roku rozpoczęto budowę dodatkowego źródła energii (silnik gazowy o mocy cieplnej 6,1 MW), które w sezonie letnim będzie zaspokajało zapotrzebowanie na ciepło do przygotowania ciepłej wody użytkowej, a w sezonie grzewczym będzie wstępnie podgrzewało wodę, która w drugim stopniu będzie podgrzewana przez kotły węglowe ciepłowni Nanice.

Miejski system ciepłowniczy Redy zasilany jest z ciepłowni Koksik o mocy cieplnej ok. 35 MW. Wykorzystywane jest ok. 50% tej mocy, ponieważ moc zamówiona przez odbiorców na ogrzewanie i ciepłą wodę użytkową to ok. 18 MW.

Miejski system ciepłowniczy Rumi jest przedłużeniem systemu gdyńskiego, zasilanego z Elektrociepłowni Gdynia Ec3 (sieć wysokoparametrowa 130/70°C). Szacuje się, że przepustowość sieci magistralnych wykorzystywana jest w 25%, a udział miejskiej sieci ciepłowniczej w pokrywaniu zapotrzebowania na ciepło w mieście na ok. 27% (31 MW).

W Gdyni głównym źródłem ciepła jest Elektrociepłownia Gdynia Ec3 o mocy cieplnej ok. 470 MW. Aktualne zapotrzebowanie odbiorców na moc cieplną w sezonie grzewczym wynosi ok. 820 MW, z czego 55% pokrywa Ec3 (ok. 450 MW).

Na podstawie aktualnych danych, zaczerpniętych z „Projektu założeń do planu

zaopatrzenia w ciepło, energię elektryczną i paliwa gazowe dla miast Wejherowo, Reda, Rumia i Gdynia”, można oszacować, że w 2020 roku całkowite zapotrzebowanie na ciepło w okresie zimowym wyniesie ok. 1150 MW, natomiast w sezonie letnim ok. 200 MW. W związku z powyższym istnieją podstawy, aby przystąpić do wykonania analizy technicznej i ekonomicznej możliwości wykorzystania elektrowni jądrowej jako źródła ciepła sieciowego, która miałaby być wybudowana w rejonie Jeziora Żarnowieckiego [8].

#### 6. Wnioski końcowe

W związku z trwającym już PPEJ pojawiła się możliwość zweryfikowania wykonanych przed laty analiz i sprawdzenia, czy wykorzystanie EJ jako podstawowego źródła energii w systemie ciepłowniczym jest rozwiązaniem efektywnie ekonomicznym i konkurencyjnym w stosunku do konwencjonalnych źródeł ciepła. Rozwiązanie takie może się przełożyć na zwiększenie efektywności EJ, zmniejszenie kosztów produkcji energii cieplnej, obniżenie zużycia pierwotnych surowców energetycznych oraz zredukowanie ilości szkodliwych zanieczyszczeń emitowanych do środowiska. Należy też podkreślić, że stale zwiększające się koszty wytwarzania ciepła w źródłach konwencjonalnych będą musiały znacząco wzrosnąć, a będzie to spowodowane Dyrektywą o emisjach przemysłowych (IED), która od 2023 roku dotknie również ciepłownictwa, narzucając nowe, niższe limity emisji szkodliwych substancji do środowiska.

Znaczącym problemem eksploatacyjnym pozostaje sezonowa zmienność zapotrzebowania na ciepło do celów grzejnych (obecne rozwiązanie pozwalają na wykorzystanie ciepła sieciowego również latem, produkowany jest wówczas chłód sieciowy) oraz ustalenie temperatury zasilającej i powrotnej wody sieciowej (ze względu na znaczne odległości pomiędzy źródłem ciepła a rejonem odbiorczym).

Z uwagi na to, że Polska nie ma doświadczenia w eksploatacji jądrowych obiektów energetycznych, przydatne mogą się okazać

wykonane przed laty analizy dotyczące wykorzystania EJ jako źródła energii elektrycznej i cieplnej (dla lokalizacji Żarnowiec oraz w pobliżu Warszawy). Jednakże poza analizą techniczną głównym celem badań, mających na celu sprawdzenie możliwości uciepłownienia elektrowni jądrowej w warunkach polskich, powinno być zapewnienie wyższej efektywności ekonomicznej systemu ciepłowniczego zasilanego z tej elektrowni, w porównaniu z klasycznymi źródłami energii pracującym w skojarzeniu.

Badania zostały dofinansowane przez Narodowe Centrum Badań i Rozwoju w ramach strategicznego projektu badawczego nr SP/J/10/176450/12.

#### Bibliografia

1. Prezes Urzędu Regulacji Energetyki, Energetyka ciepła w liczbach – 2011, Warszawa, wrzesień 2012.
2. Mühlhäuser H.J., Steam turbines for district heating in nuclear power plants, *Nuclear Technology*, April 1978, Vol. 38.
3. Nuclear Power in Switzerland, World Nuclear Association [online], www.world-nuclear.org/info/inf86.html, grudzień 2012.
4. Reński A., Elektrownie jądrowe jako źródło ciepła sieciowego i technologicznego, *Energetyka*, sierpień 2009.
5. Kasprzyk S., Program polskiej energetyki jądrowej. Najkorzystniejsze lokalizacje, moce w tych lokalizacjach, rozwój i modernizacja linii i rozdzielni najwyższych napięć, *Energetyka*, sierpień 2009.
6. Kubowski J., Problemy współpracy elektrowni jądrowych z systemem elektroenergetycznym, *Energetyka*, kwiecień 2010.
7. Reński A., Jak efektywnie ograniczyć ciepło odpadowe z elektrowni jądrowej, *Rynek Energii* 2010, nr 1.
8. Minkiewicz T., Reński A., Nuclear power plant as a source of electrical energy and heat, *Archives of Energetics* 2011, No. 3–4.

#### Tomasz Minkiewicz

mgr inż.  
Politechnika Gdańska  
e-mail: t.minkiewicz@eia.pg.gda.pl

Ukończył studia na Wydziale Elektrotechniki i Automatyki Politechniki Gdańskiej (2009). Obecnie uczy się na studium doktoranckim macierzystego wydziału oraz jest zatrudniony na stanowisku wykładowcy w Katedrze Elektroenergetyki PG. Jego zawodowe zainteresowania obejmują aktualny stan i rozwój energetyki jądrowej w Polsce i na świecie oraz ciepłownictwo.

#### Andrzej Reński

dr hab. inż. prof. nadzw. PG  
Politechnika Gdańska  
e-mail: a.renski@eia.pg.gda.pl

Ukończył studia na Wydziale Mechanicznym Energetyki i Lotnictwa (MEiL) Politechniki Warszawskiej (1969). W 1981 roku obronił pracę doktorską na Wydziale Elektrycznym Politechniki Gdańskiej, a w 2003 roku uzyskał stopień doktora habilitowanego na Wydziale MEiL Politechniki Warszawskiej. Od 2007 roku jest zatrudniony na stanowisku profesora nadzwyczajnego Politechniki Gdańskiej. Obszary jego zainteresowań to: energetyka ciepła – budowa i modelowanie urządzeń energetycznych elektrowni, elektrociepłowni klasycznych i jądrowych oraz optymalizacja rozwoju systemów ciepłowniczych.